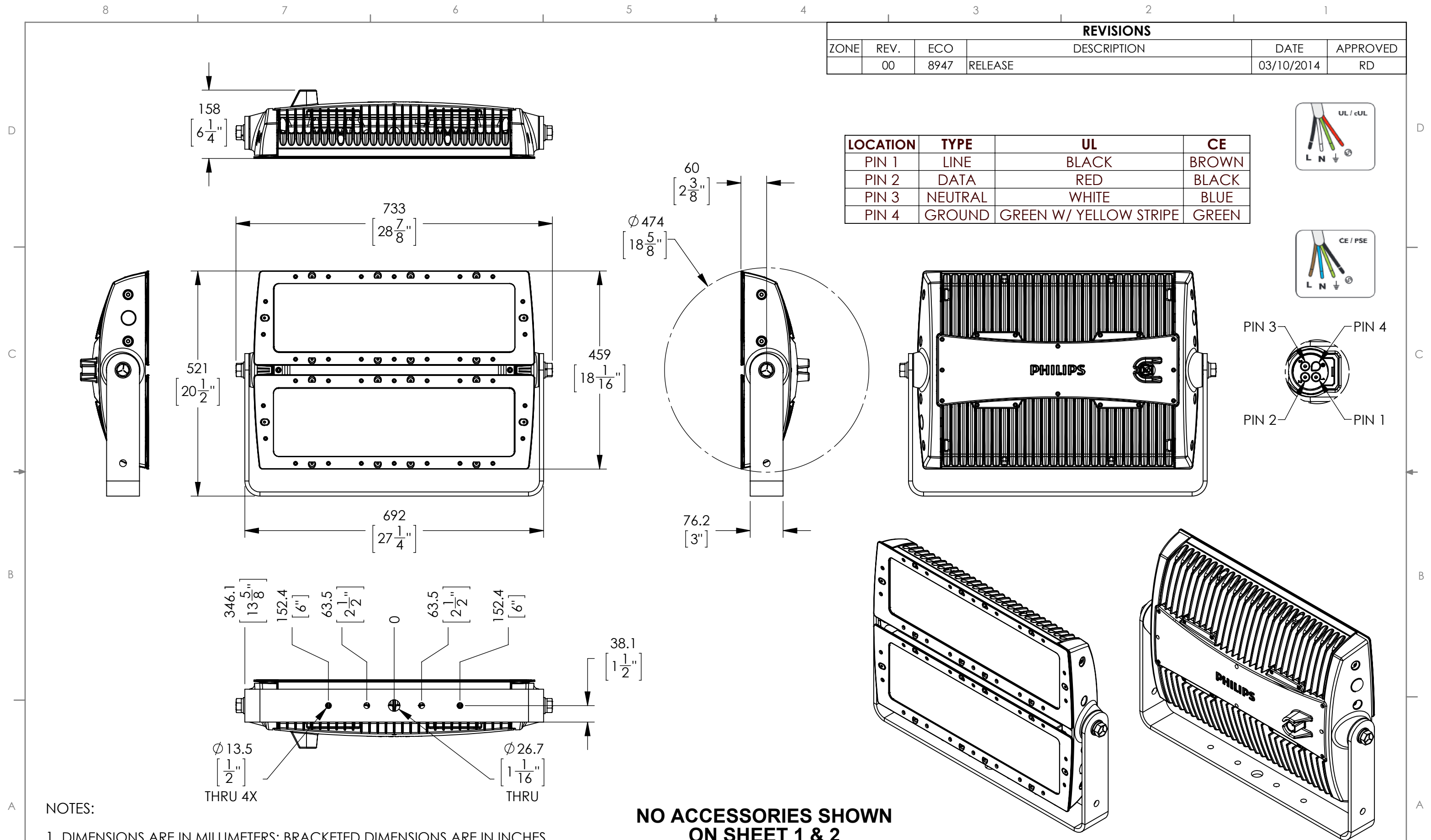
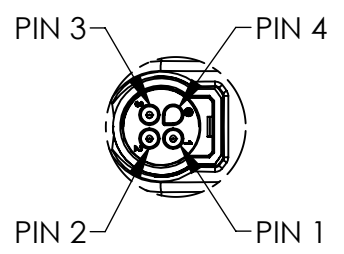
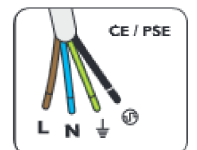
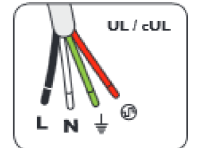


REVISIONS					
ZONE	REV.	ECO	DESCRIPTION	DATE	APPROVED
	00	8947	RELEASE	03/10/2014	RD

LOCATION	TYPE	UL	CE
PIN 1	LINE	BLACK	BROWN
PIN 2	DATA	RED	BLACK
PIN 3	NEUTRAL	WHITE	BLUE
PIN 4	GROUND	GREEN W/ YELLOW STRIPE	GREEN



NOTES:  
 1. DIMENSIONS ARE IN MILLIMETERS; BRACKETED DIMENSIONS ARE IN INCHES.

**NO ACCESSORIES SHOWN  
 ON SHEET 1 & 2**

**PROPRIETARY AND CONFIDENTIAL**  
 THE INFORMATION CONTAINED IN THIS DRAWING IS THE SOLE PROPERTY OF PHILIPS COLOR KINETICS, INC. ANY REPRODUCTION IN PART OR AS A WHOLE WITHOUT THE WRITTEN PERMISSION OF PHILIPS COLOR KINETICS, INC. IS PROHIBITED.



MATERIAL	SEE NOTES
FINISH	SEE NOTES
DRAWN	A. PEPPER
DATE	02/27/2014
CHECKED	R. DEBRUIN
DATE	03/10/2014

-UNLESS OTHERWISE SPECIFIED-  
 DIMENSIONS ARE IN MILLIMETERS [INCHES]  
 INTERPRET GEOMETRIC TOLERANCING PER: ANSI Y14.5M

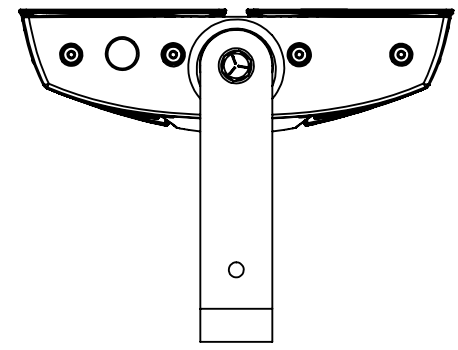
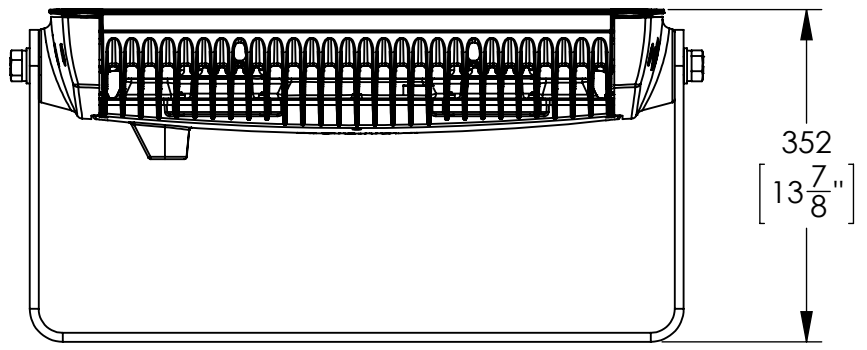
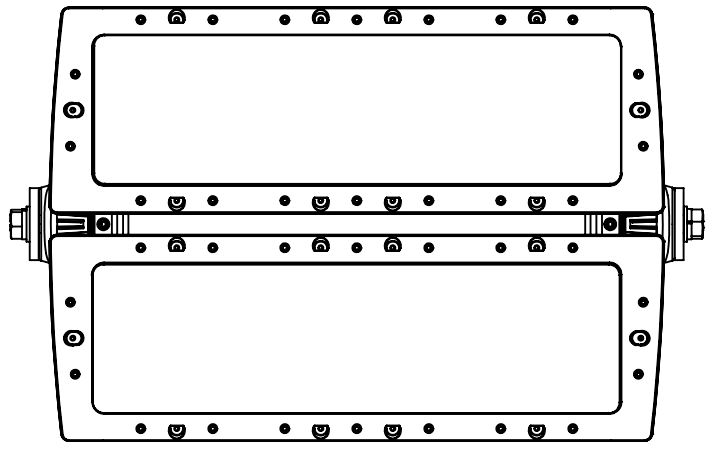
TOLERANCES: ANGLE ±1°  
 DECIMAL  
 .X ±0.5 mm  
 .XX ±0.25 mm  
 .XXX ±0.125 mm

THIRD ANGLE PROJECTION

DESCRIPTION  
**PRODUCT DOCUMENT DRAWING,  
 REACH POWERCORE 100-277V,  
 UL/CE**

SIZE	DWG. NO.	REV
<b>B</b>	<b>PDD-000092-00</b>	<b>00</b>
FILE NAME	DO NOT SCALE DRAWING	SHEET 1 OF 4
	SCALE 1:8	

**PROPRIETARY AND CONFIDENTIAL**  
 THE INFORMATION CONTAINED IN THIS DRAWING IS THE SOLE PROPERTY OF PHILIPS COLOR KINETICS, INC.  
 ANY REPRODUCTION IN PART OR AS A WHOLE WITHOUT THE WRITTEN PERMISSION OF PHILIPS COLOR KINETICS, INC. IS PROHIBITED.

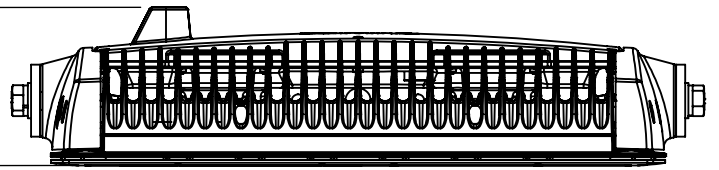


**NO ACCESSORIES SHOWN  
 ON SHEET 1 & 2**

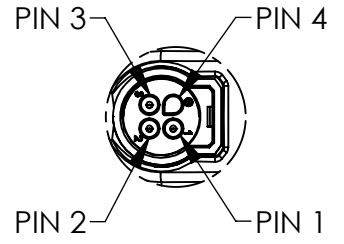
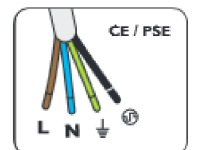
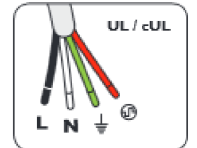
 	DESCRIPTION <b>PRODUCT DOCUMENT DRAWING,          REACH POWERCORE 100-277V,          UL/CE</b>	SIZE <b>B</b>	DWG. NO. <b>PDD-000092-00</b>	REV <b>00</b>
		FILE NAME	DO NOT SCALE DRAWING SCALE <b>1:8</b>	SHEET <b>2</b> OF <b>4</b>

**PROPRIETARY AND CONFIDENTIAL**  
 THE INFORMATION CONTAINED IN THIS DRAWING IS THE SOLE PROPERTY OF PHILIPS COLOR KINETICS, INC.  
 ANY REPRODUCTION IN PART OR AS A WHOLE WITHOUT THE WRITTEN PERMISSION OF PHILIPS COLOR KINETICS, INC. IS PROHIBITED.

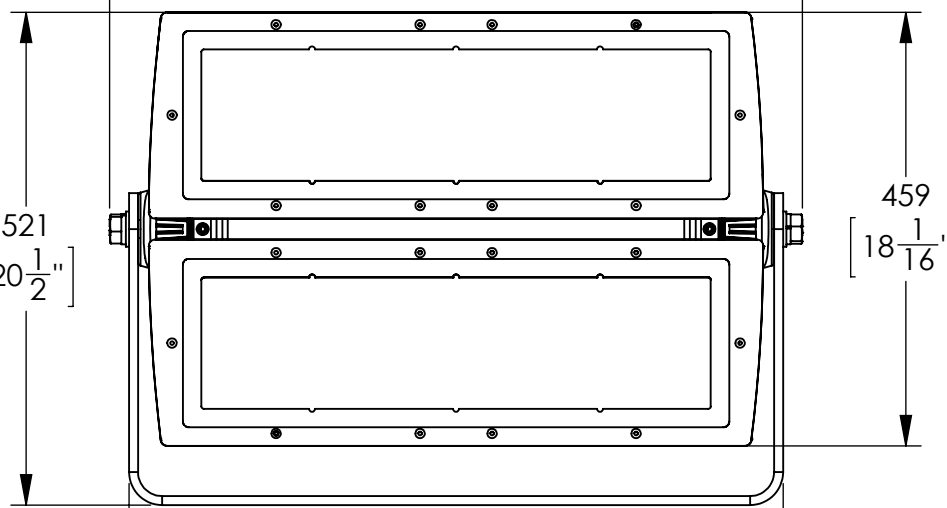
167  
 $6\frac{9}{16}$ "



LOCATION	TYPE	UL	CE
PIN 1	LINE	BLACK	BROWN
PIN 2	DATA	RED	BLACK
PIN 3	NEUTRAL	WHITE	BLUE
PIN 4	GROUND	GREEN W/ YELLOW STRIPE	GREEN

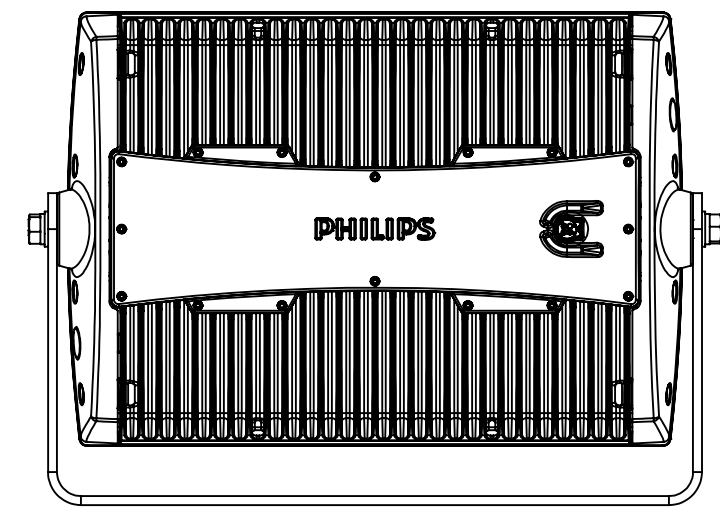
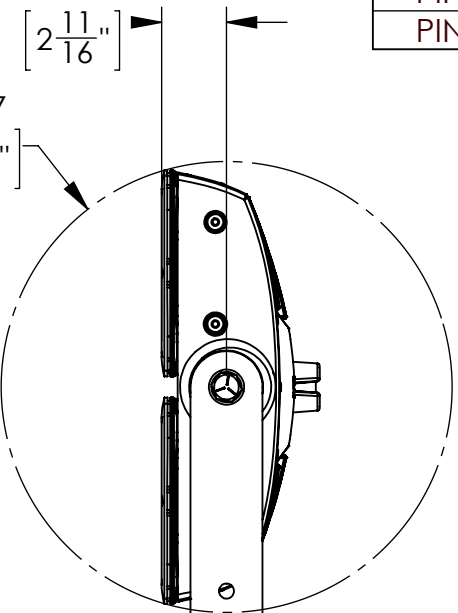


733  
 $28\frac{7}{8}$ "



69  
 $2\frac{11}{16}$ "

$\phi 477$   
 $18\frac{13}{16}$ "

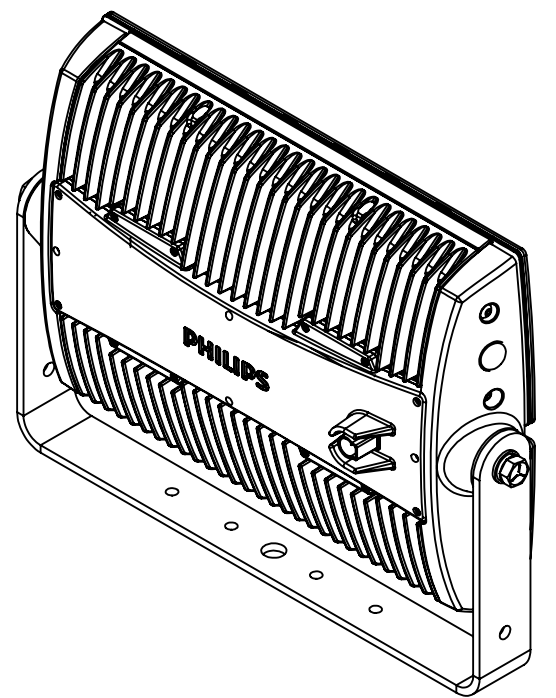
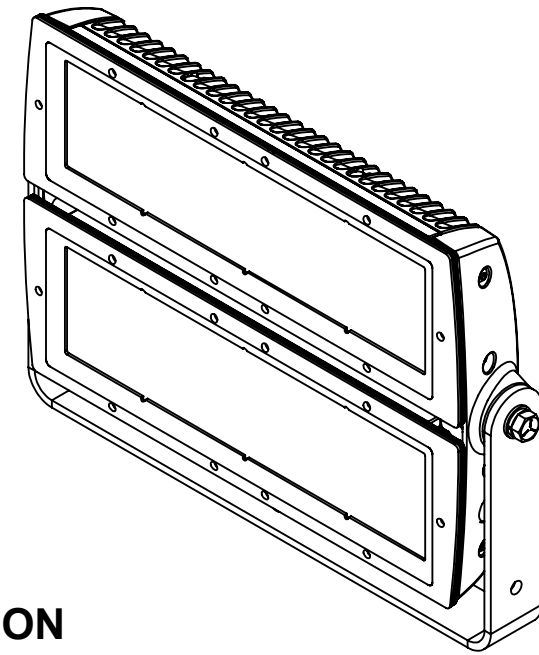
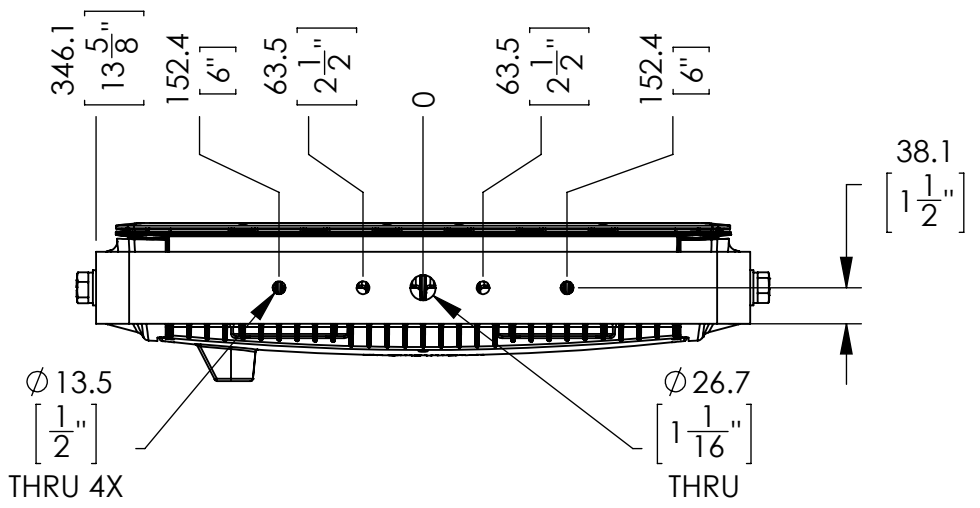


521  
 $20\frac{1}{2}$ "

459  
 $18\frac{1}{16}$ "

692  
 $27\frac{1}{4}$ "

76.2  
 $3$ "



**ACCESSORIES SHOWN ON SHEET 3 & 4**



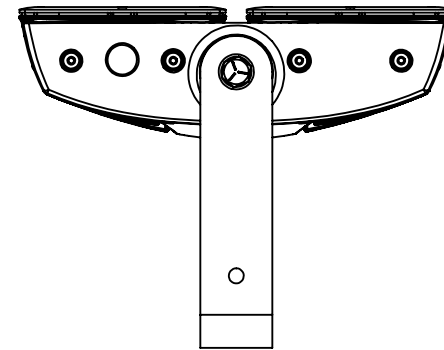
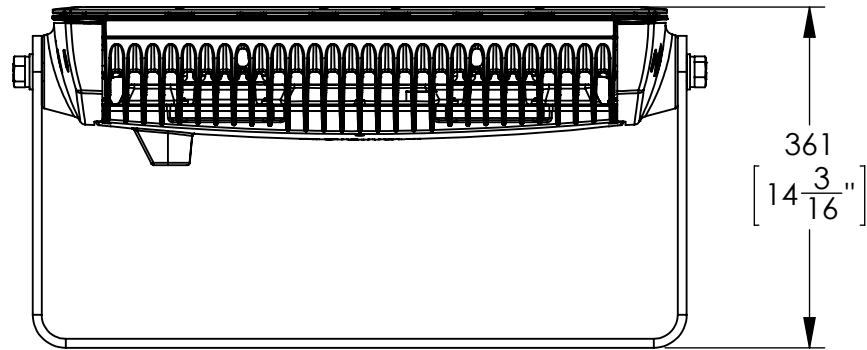
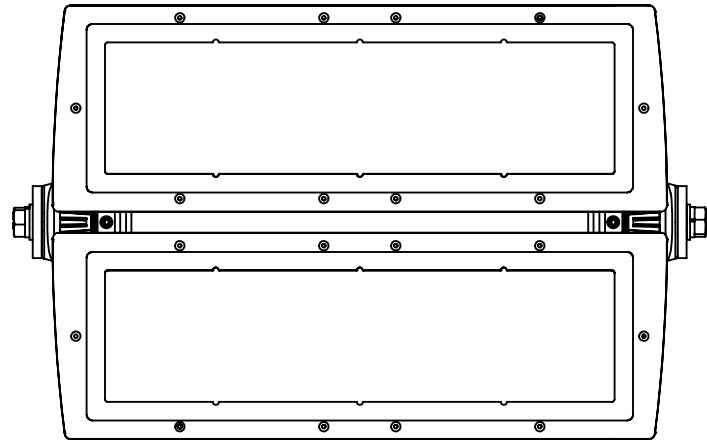
DESCRIPTION  
 PRODUCT DOCUMENT DRAWING,  
 REACH POWERCORE 100-277V,  
 UL/CE

SIZE	DWG. NO.	REV
<b>B</b>	<b>PDD-000092-00</b>	<b>00</b>
FILE NAME	DO NOT SCALE DRAWING	SHEET 3 OF 4
	SCALE 1:8	

8 7 6 5 4 3 2 1

**PROPRIETARY AND CONFIDENTIAL**

THE INFORMATION CONTAINED IN THIS DRAWING IS THE SOLE PROPERTY OF PHILIPS COLOR KINETICS, INC.  
ANY REPRODUCTION IN PART OR AS A WHOLE WITHOUT THE WRITTEN PERMISSION OF PHILIPS COLOR KINETICS, INC. IS PROHIBITED.



**ACCESSORIES SHOWN ON SHEET 3 & 4**



DESCRIPTION  
**PRODUCT DOCUMENT DRAWING,  
REACH POWERCORE 100-277V,  
UL/CE**

SIZE	DWG. NO.	REV
<b>B</b>	<b>PDD-000092-00</b>	<b>00</b>
FILE NAME	DO NOT SCALE DRAWING	SHEET 4 OF 4
	SCALE 1:8	

8 7 6 5 4 3 2 1