



US00D548868S

(12) **United States Design Patent** (10) **Patent No.:** **US D548,868 S**
Roberge et al. (45) **Date of Patent:** **** Aug. 14, 2007**

(54) **LIGHTING ASSEMBLY**

(75) Inventors: **Brian Roberge**, Franklin, MA (US);
Colin Piegras, Swampscott, MA (US);
Steve T. Kondo, Salem, MA (US);
Peter Swai, Quincy, MA (US)

(73) Assignee: **Color Kinetics Incorporated**, Boston, MA (US)

(**) Term: **14 Years**

(21) Appl. No.: **29/246,242**

(22) Filed: **Mar. 27, 2006**

Related U.S. Application Data

(63) Continuation of application No. 29/208,518, filed on Jun. 29, 2004, now Pat. No. Des. 518,218, which is a continuation of application No. 10/839,765, filed on May 5, 2004, now Pat. No. 7,178,941.

(51) **LOC (8) Cl.** **26-05**

(52) **U.S. Cl.** **D26/63**

(58) **Field of Classification Search** D26/24,
D26/61, 63-65, 104; 362/269, 277, 282,
362/285, 287, 418, 419, 427

See application file for complete search history.

(56) **References Cited**

U.S. PATENT DOCUMENTS

1,882,185 A 10/1932 Graham
2,057,278 A 10/1936 Richardson
2,200,114 A 5/1940 Konikoff
D257,890 S 1/1981 Aron

4,259,710 A 3/1981 Schlack
5,025,359 A 6/1991 Saluja et al.
D328,148 S 7/1992 Waldmann
D408,937 S 4/1999 Waldmann
D437,441 S 2/2001 Shoemaker et al.
6,183,116 B1 2/2001 Harter et al.
D482,152 S 11/2003 Hussaini et al.

OTHER PUBLICATIONS

Color Kinetics v. Super Vision International, Inc., "Super Vision International, Inc.'s Notice of Filing Declaration of Peter Micha," United States District Court, District of Massachusetts; Case No. 02 CV 11137 MEL.

Primary Examiner—Clare E Heflin

(74) *Attorney, Agent, or Firm*—Wolf, Greenfield & Sacks, P.C.

(57) **CLAIM**

The ornamental design for a lighting assembly, as shown and described.

DESCRIPTION

FIG. 1 is a front view of a lighting assembly design;

FIG. 2 is a side view thereof;

FIG. 3 is a rear view thereof;

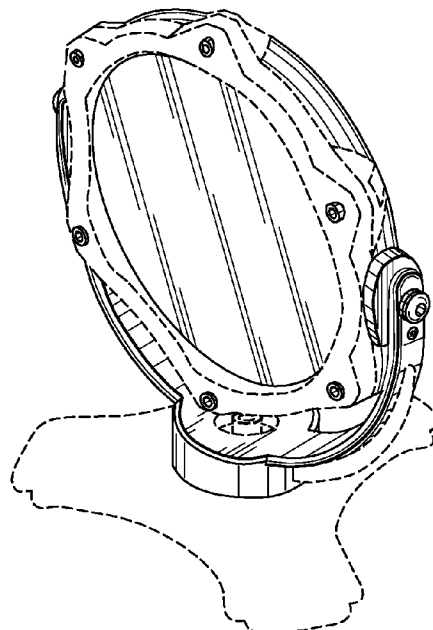
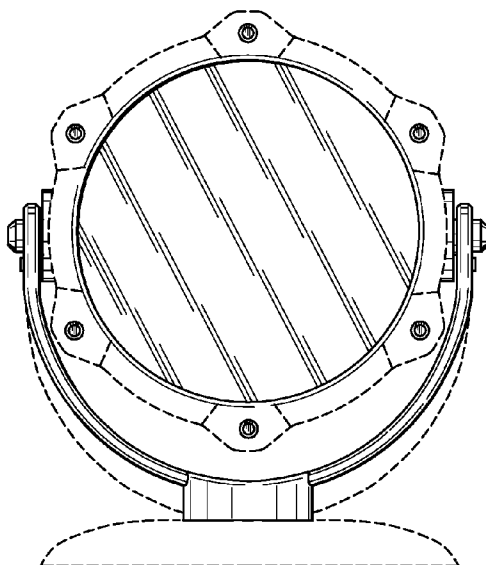
FIG. 4 is a top view thereof; and,

FIG. 5 is a perspective view thereof.

The bottom surface of the lighting assembly is plain and non-ornamental.

The broken lines shown on the drawings are for illustrative purposes only and form no part of the claimed design.

1 Claim, 2 Drawing Sheets



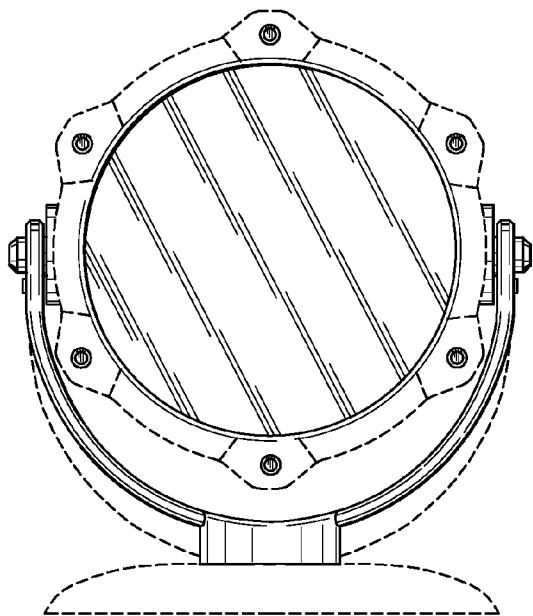


FIG. 1

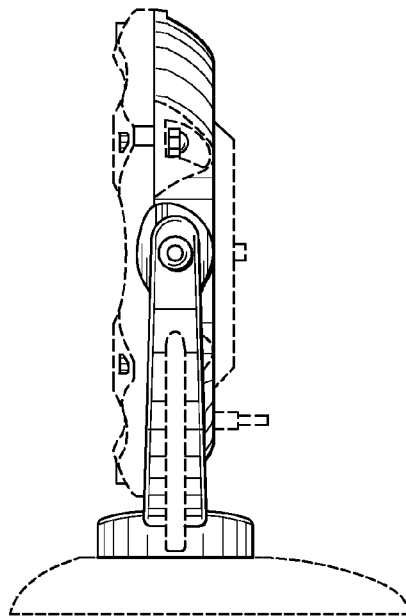


FIG. 2

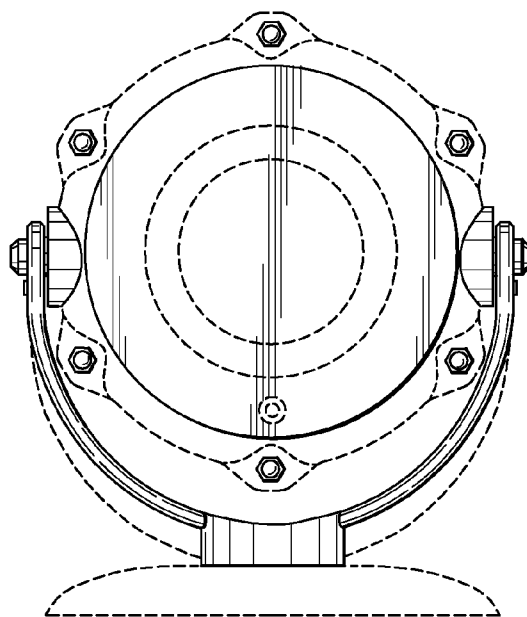


FIG. 3

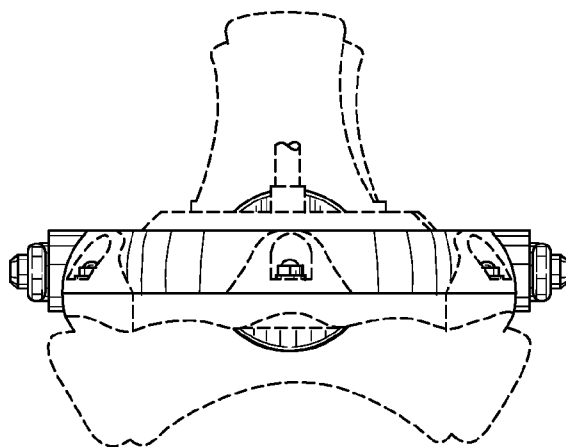


FIG. 4

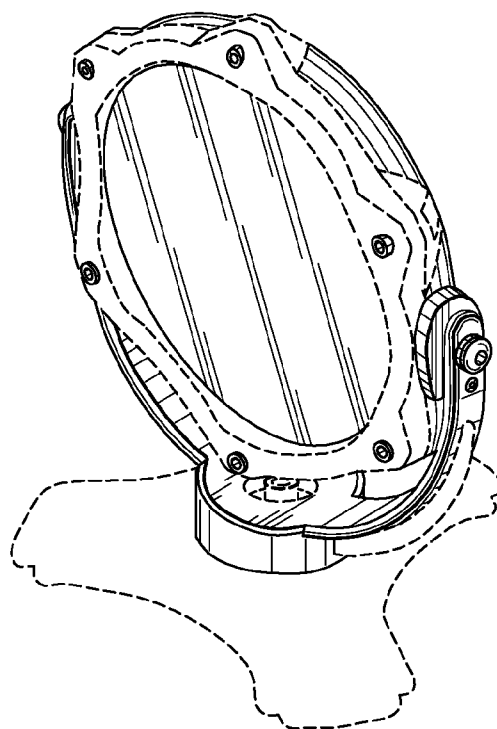


FIG. 5