



US00D566323S

(12) **United States Design Patent**
Piegras et al.

(10) **Patent No.:** **US D566,323 S**
(45) **Date of Patent:** **** Apr. 8, 2008**

- (54) **LIGHTING APPARATUS FRAME**
- (75) Inventors: **Colin Piegras**, Swampscott, MA (US);
Tomas Mollnow, Somerville, MA (US)
- (73) Assignee: **Philips Solid State Lighting Solutions, Inc.**, Burlington, MA (US)
- (**) Term: **14 Years**
- (21) Appl. No.: **29/278,017**
- (22) Filed: **Mar. 16, 2007**

Related U.S. Application Data

- (63) Continuation-in-part of application No. 11/419,995, filed on May 23, 2006.
- (51) **LOC (8) Cl.** **26-99**
- (52) **U.S. Cl.** **D26/123**
- (58) **Field of Classification Search** D26/139,
D26/142, 152, 77, 76, 37, 123, 128, 120,
D26/118, 113, 138, 3, 28, 72, 124, 121, 122,
D26/75, 79, 90, 105; D13/180; 362/614,
362/611, 612, 632, 555, 516, 147, 148, 216,
362/217, 260, 291, 296, 297, 341, 346, 404,
362/407, 431, 800

See application file for complete search history.

(56) **References Cited**

U.S. PATENT DOCUMENTS

D207,930 S *	6/1967	Kotler	D10/111
4,290,096 A	9/1981	Szpur		
4,507,719 A	3/1985	Quiogue		
5,278,432 A	1/1994	Ignatius et al.		
5,548,499 A	8/1996	Zadeh		
5,690,424 A	11/1997	Warshauer et al.		
5,738,436 A	4/1998	Cummings et al.		
5,785,418 A	7/1998	Hochstein		
5,842,775 A	12/1998	Roorda et al.		
6,009,650 A	1/2000	Lamparter		
6,016,038 A	1/2000	Mueller et al.		
6,045,240 A	4/2000	Hochstein		
6,059,421 A	5/2000	White et al.		

6,078,257 A	6/2000	Ferraro		
6,150,774 A	11/2000	Mueller et al.		
6,166,496 A	12/2000	Lys et al.		
6,211,626 B1	4/2001	Lys et al.		
6,220,722 B1	4/2001	Begemann		
6,292,901 B1	9/2001	Lys et al.		
6,340,868 B1	1/2002	Lys et al.		
6,367,949 B1 *	4/2002	Pederson	362/240
6,450,661 B1	9/2002	Okumura		
6,459,919 B1	10/2002	Lys et al.		
D468,051 S *	12/2002	Gaskins et al.	D26/123
D470,613 S *	2/2003	Huang	D26/28
D470,970 S *	2/2003	Huang	D26/123
D471,657 S *	3/2003	Huang	D26/28
6,528,954 B1	3/2003	Lys et al.		
6,548,967 B1	4/2003	Dowling et al.		
D474,559 S *	5/2003	Huang	D26/123
6,561,689 B1	5/2003	Kidd et al.		

(Continued)

Primary Examiner—Freda S. Nunn
Assistant Examiner—Kevin K Rudzinski
(74) *Attorney, Agent, or Firm*—Wolf, Greenfield & Sacks, P.C.

(57) **CLAIM**

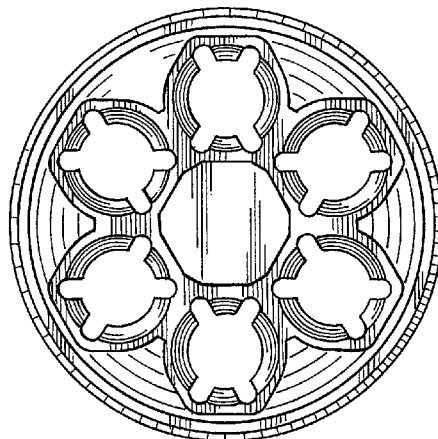
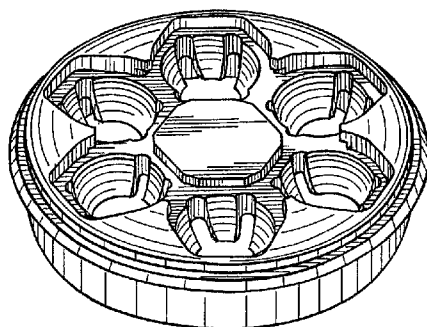
The ornamental design for a lighting apparatus frame, as shown and described.

DESCRIPTION

FIG. 1 is a perspective view of a lighting apparatus frame design;
FIG. 2 is a top view thereof;
FIG. 3 is a first side view thereof;
FIG. 4 is a second side view thereof;
FIG. 5 is a third side view thereof;
FIG. 6 is a fourth side view thereof; and,
FIG. 7 is a bottom view thereof.

The broken line shown is included for the purpose of illustration only and forms no part of the claimed design.

1 Claim, 2 Drawing Sheets



US D566,323 S

U.S. PATENT DOCUMENTS					
			2003/0100837	A1	5/2003 Lys et al.
			2003/0133292	A1	7/2003 Mueller et al.
			2003/0222587	A1	12/2003 Dowling et al.
			2004/0027832	A1	2/2004 Hyder
			2004/0036006	A1	2/2004 Dowling
			2004/0052076	A1	3/2004 Mueller et al.
			2004/0090191	A1	5/2004 Mueller et al.
			2004/0090787	A1	5/2004 Dowling et al.
			2004/0105261	A1	6/2004 Ducharme et al.
			2004/0105264	A1	6/2004 Spero
			2004/0116039	A1	6/2004 Mueller et al.
			2004/0120148	A1	6/2004 Morris et al.
			2004/0130909	A1	7/2004 Mueller et al.
			2004/0178751	A1	9/2004 Mueller et al.
			2004/0212320	A1	10/2004 Dowling et al.
			2004/0212993	A1	10/2004 Morgan et al.
			2004/0228124	A1	11/2004 Reiff et al.
			2005/0099824	A1	5/2005 Dowling et al.
			2005/0111231	A1	5/2005 Crodian et al.
			2005/0116667	A1	6/2005 Mueller et al.
			2005/0151489	A1	7/2005 Lys et al.
			2005/0169002	A1	8/2005 Steen et al.
			2005/0195602	A1	9/2005 Pan
			2005/0213352	A1	9/2005 Lys et al.
			2005/0213353	A1	9/2005 Lys
			2005/0218838	A1	10/2005 Lys
			2005/0218870	A1	10/2005 Lys
			2005/0219872	A1	10/2005 Lys
			2005/0225976	A1	10/2005 Zampini et al.
			2005/0231133	A1	10/2005 Lys
			2005/0236029	A1	10/2005 Dowling
			2005/0236998	A1	10/2005 Mueller
			2005/0237746	A1	10/2005 Yiu
			2005/0253533	A1	11/2005 Lys et al.
			2005/0275626	A1	12/2005 Mueller
			2005/0276053	A1	12/2005 Nortrup
			2006/0002110	A1	1/2006 Dowling
			2006/0012987	A9	1/2006 Ducharme
			2006/0016960	A1	1/2006 Morgan
			2006/0022214	A1	2/2006 Morgan
			2006/0050509	A9	3/2006 Dowling
			2006/0076908	A1	4/2006 Morgan
			2006/0098077	A1	5/2006 Dowling
			2006/0098438	A1	5/2006 Ouderkirk et al.
			2006/0104058	A1	5/2006 Chemel et al.
			2006/0109649	A1	5/2006 Ducharme et al.
			2006/0132061	A1	6/2006 McCormick et al.
			2006/0152172	A9	7/2006 Mueller
			2006/0158881	A1	7/2006 Dowling
			2006/0198128	A1	9/2006 Piepgras et al.
			2006/0208667	A1	9/2006 Lys
			2006/0262516	A9	11/2006 Peipgrad
			2006/0262521	A1	11/2006 Piepgras
			2006/0262544	A1	11/2006 Piepgras
			2006/0262545	A1	11/2006 Piepgras
			2006/0273741	A1	12/2006 Stalker, III
			2006/0285325	A1	12/2006 Ducharme et al.
6,568,826	B1	5/2003 Kotovsky			
6,577,080	B2	6/2003 Lys et al.			
6,578,986	B2	6/2003 Swaris et al.			
6,608,453	B2	8/2003 Morgan et al.			
6,624,597	B2	9/2003 Dowling et al.			
6,654,172	B2*	11/2003 Pond et al. 359/619			
D484,270	S*	12/2003 Yiu D26/89			
6,712,486	B1	3/2004 Popovich et al.			
6,717,376	B2	4/2004 Lys et al.			
6,720,745	B2	4/2004 Mueller et al.			
6,774,584	B2	8/2004 Lys et al.			
6,777,891	B2	8/2004 Lys et al.			
6,781,329	B2	8/2004 Mueller et al.			
6,787,999	B2	9/2004 Stimac et al.			
6,788,011	B2	9/2004 Mueller et al.			
6,801,003	B2	10/2004 Schanberger et al.			
6,806,659	B1	10/2004 Mueller et al.			
6,814,464	B2*	11/2004 Galli 362/184			
6,822,269	B2*	11/2004 Horiuchi et al. 257/99			
6,840,654	B2*	1/2005 Guerrieri et al. 362/241			
6,851,831	B2	2/2005 Karlicek, Jr.			
6,864,513	B2	3/2005 Lin et al.			
6,869,204	B2	3/2005 Morgan et al.			
6,880,956	B2	4/2005 Zhang			
6,883,929	B2	4/2005 Dowling			
6,888,322	B2	5/2005 Dowling et al.			
6,897,624	B2	5/2005 Ducharme et al.			
6,936,978	B2	8/2005 Morgan et al.			
6,965,205	B2	11/2005 Piepgras et al.			
6,967,448	B2	11/2005 Morgan et al.			
6,969,954	B2	11/2005 Lys			
6,974,233	B1	12/2005 Aubrey			
6,974,234	B2	12/2005 Galli			
6,975,079	B2	12/2005 Lys et al.			
7,031,920	B2	4/2006 Dowling et al.			
7,038,398	B1	5/2006 Lys et al.			
7,038,399	B2	5/2006 Lys et al.			
7,042,172	B2	5/2006 Dowling et al.			
7,055,994	B2	6/2006 Martin			
7,113,541	B1	9/2006 Lys et al.			
2002/0038157	A1	3/2002 Dowling et al.			
2002/0048169	A1	4/2002 Dowling et al.			
2002/0070688	A1	6/2002 Dowling et al.			
2002/0074559	A1	6/2002 Dowling et al.			
2002/0078221	A1	6/2002 Blackwell et al.			
2002/0130627	A1	9/2002 Dowling et al.			
2002/0145394	A1	10/2002 Morgan et al.			
2002/0145869	A1	10/2002 Dowling			
2002/0152045	A1	10/2002 Dowling et al.			
2002/0158583	A1	10/2002 Lys et al.			
2002/0176259	A1	11/2002 Ducharme			
2003/0011538	A1	1/2003 Lys et al.			
2003/0028260	A1	2/2003 Blackwell			
2003/0053310	A1	3/2003 Sommers			
2003/0057884	A1	3/2003 Dowling et al.			
2003/0057887	A1	3/2003 Dowling et al.			
2003/0076281	A1	4/2003 Morgan et al.			

* cited by examiner

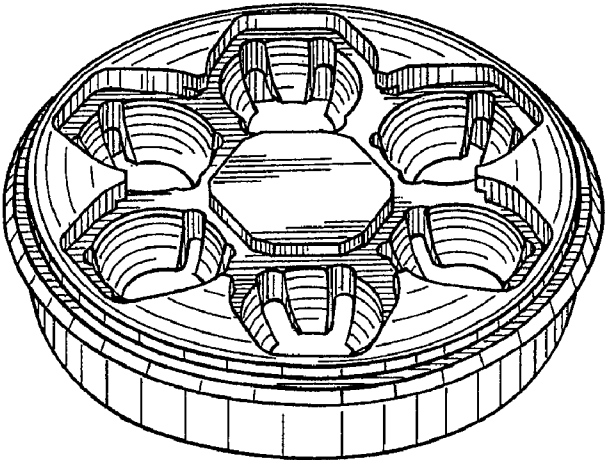


Fig. 1

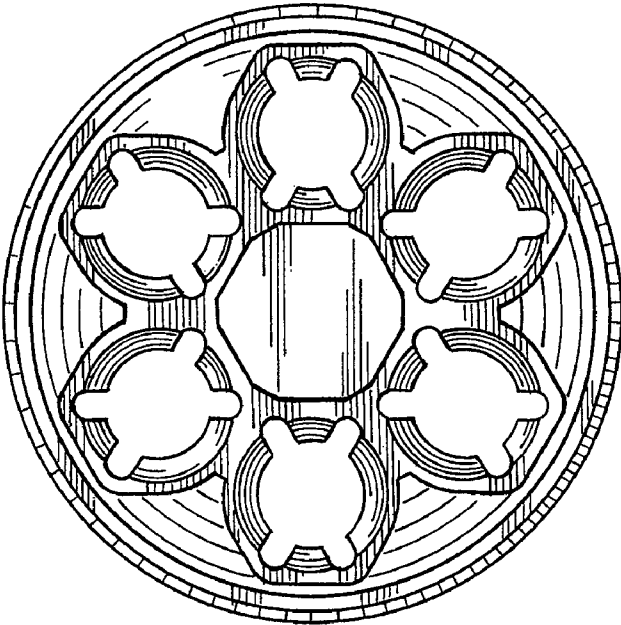


Fig. 2

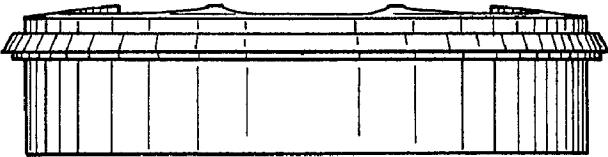


Fig. 3

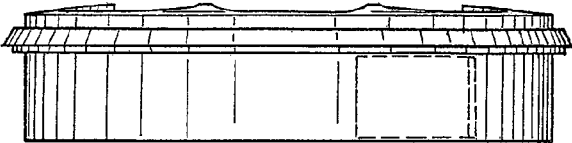


Fig. 4

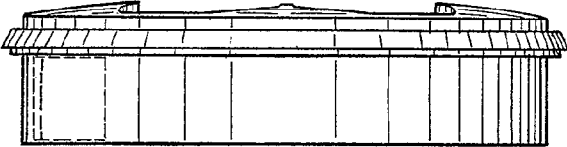


Fig. 5

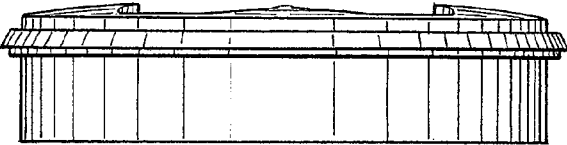


Fig. 6

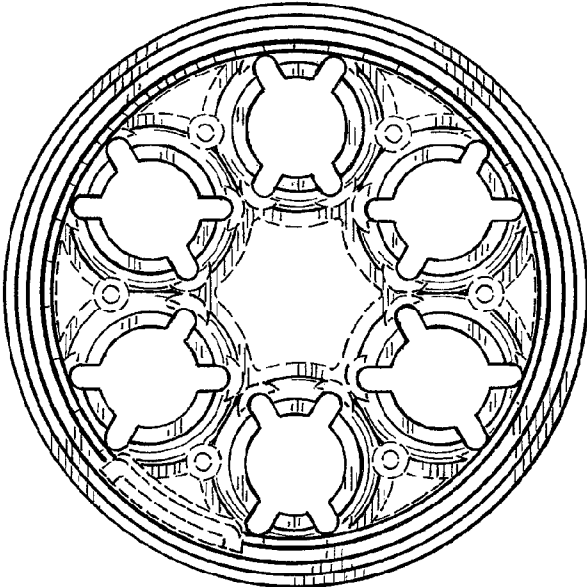


Fig. 7