

iColor Tile FX 2:2 Lens

INSTALLATION INSTRUCTIONS

Philips Solid-State Lighting Solutions, Inc.
3 Burlington Woods Drive
Burlington, Massachusetts 01803 USA
Tel 888.FULL.RGB
Tel 617.423.9999
Fax 617.423.9998
www.colorkinetics.com

iColor Tile FX 2:2
Item # 101-000044-00 (Indoor)

Copyright © 2003-2008 Philips Solid-State Lighting Solutions, Inc. All rights reserved. Chromacore, Chromasic, CK, the CK logo, Color Kinetics, the Color Kinetics logo, ColorBlast, ColorBlaze, ColorBurst, ColorGraze, ColorPlay, ColorReach, DIMand, EssentialWhite, eW, iColor, iColor Cove, IntelliWhite, iW, iPlayer, Light Without Limits, Optibin, and Powercore are either registered trademarks or trademarks of Philips Solid-State Lighting Solutions, Inc. in the United States and / or other countries. All other brand or product names are trademarks or registered trademarks of their respective owners.



PUB-000104-00 Rev 02

Specifications subject to change without notice. Refer to www.colorkinetics.com for the most recent version.

GETTING STARTED

This guide contains important information not only for installing the iColor Tile FX 2:2 Lens safely. For your protection, read it carefully. There are very few rules, but those that exist are there for your safety.

Included In This Box

- (1) iColor Tile FX 2:2 Lens with mounting hardware
- Installation Guide

Sold and Packaged Separately

- iColor Tile FX 2:2
- (6) Corner clips (Packaged with iColor Tile FX 2:2)

Additional Items Needed

- Phillips screwdriver

SCOPE OF THIS USER GUIDE

The goal of this user guide is to explain the necessary steps to install iColor Tile FX 2:2 Lens and assure peak performance. Its intended use is for reference only, by a fully qualified electrician or technician. This document should never be considered a substitute for any provision of a regulation or state and / or local code.

INSTALLATION CONSIDERATIONS

The iColor Tile FX 2:2 Lens attaches easily to the iColor Tile FX 2:2. However, risk management must be considered to prevent injury and property damage. Consult a Structural Engineer to approve all installation plans.

IDENTIFICATION AND WARNINGS OF SAFETY HAZARDS

In accordance with ANSI Z535.4-2002 the following system of identifying the severity of the hazards associated with the products is used:

“**DANGER**” Imminently hazardous situation which, if not avoided, will result in death or serious injury.

“**WARNING**” Potentially hazardous situation that, if not avoided, could result in death or serious injury.

“**CAUTION**” Potentially hazardous situation that, if not avoided, may result in minor or moderate injury or property damage.

WARNING: Do not attempt to attach iColor Tile FX 2:2 Lens until you read and understand the installation instructions. Failure to adhere to these instructions could result in serious injury or property damage.

WARNING: Ensure that mounting hardware on all four corners of the lens is firmly seated and securely fastened. Failure to secure all corners of the lens can result in the lens separating from the fixture.

CAUTION: Exercise caution when using sharp tools near or on the fixture lens. Doing so will result in property damage and void the warranty.

CAUTION: Do not use harsh or abrasive cleaners on the lens. Doing so will result in property damage and void the warranty.

CAUTION: To minimize risk, turn off power to the tiles before attaching the lens.

NOTE: The instructions and precautions set forth in this user guide are not necessarily all-inclusive, all conceivable, or relevant to all applications as Philips Solid-State Lighting Solutions cannot anticipate all conceivable or unique situations.

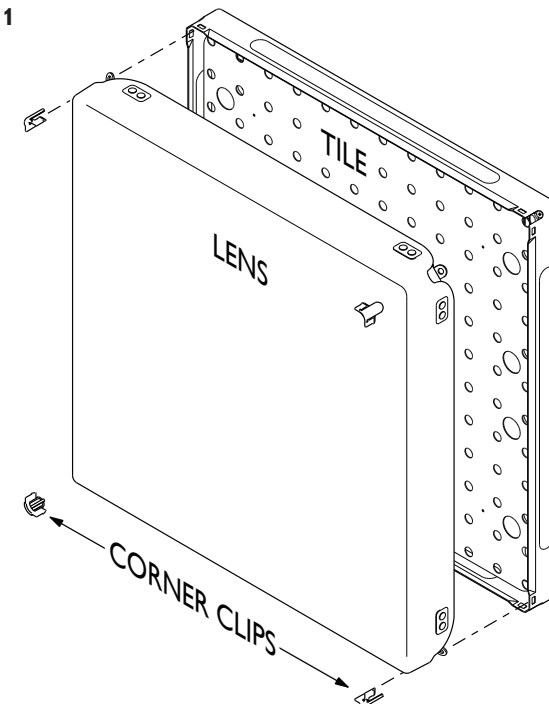
OWNER / USER RESPONSIBILITIES

It is the responsibility of the contractor, installer, purchaser, owner, and user to install, maintain, and operate iColor Tile FX 2:2 in such a manner as to comply with all state and local laws, ordinances, regulations, and the American National Standards Institute Safety Code.

ATTACHING THE LENS

After installing the tile base and making all electrical connections, you are ready to attach the tile lens.

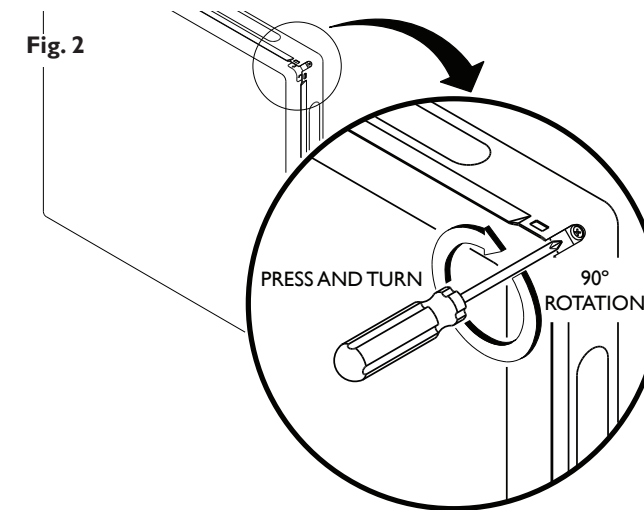
Fig. 1



Note: Before attaching the lens, power the tiles to ensure they work properly.

1. Position the lens over the tile base, aligning the quarter-turn fasteners with the mating attachment hole located on the base.
2. Firmly seat the lens into the base frame.
3. Using a Phillips screwdriver push and turn the spring loaded fastener 90° to the right. The fastener will stop firmly after the quarter-turn letting you know that it is attached. See Fig. 2.

Caution: To minimize risk, turn off power to the tiles before attaching the lens.



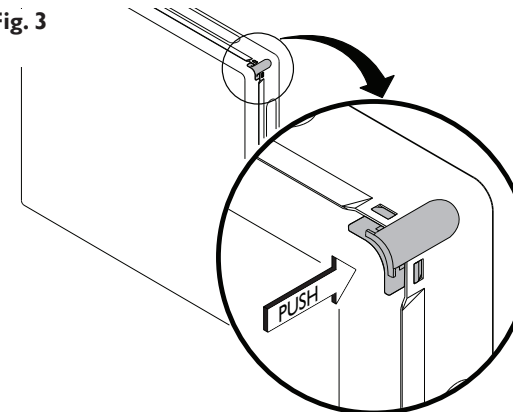
Note: If you are able to continue turning the screw, after the 90° rotation, then the fastener is not attached. Ensure that the lens is firmly seated and that the fastener aligns with the hole then push and turn again.

ATTACHING THE CORNER CLIPS

The corner clips are cosmetic features that cover the attaching hardware and give the tile a finished appearance. Corner clips are packaged with the iColor Tile FX 2:2.

1. After the lens is firmly mounted to the tile on all four corners, insert the corner clips into the corner openings.
2. Press until they snap into place. See Fig. 3

Fig. 3



Note: Once the corner clips are in place they are difficult to remove. Therefore, ensure that the installation is complete before inserting the corner clips.

Caution: The corner clips are purely aesthetic and do not provide any lens support.

CLEANING THE LENS

Keeping the lens clean ensures optimum color quality for your light tile. Frequency of cleaning is dictated by the installation environment. Using a soft cloth, clean the lens with mild detergent or soap with warm water. Traditional glass cleaners can also be used to clean the lens.

Caution: Do not use harsh or abrasive cleaners, abrasive cloths, or brushes to clean lens. Doing so will damage the product and void the warranty.

If any problems occur during usage, unplug the product immediately and contact Philips Solid-State Lighting Solutions Technical Support Group: 1-888-FULL RGB or 617-423-9999 or www.colorkinetics.com/support

iCOLOR TILE FX 2:2 LENS SPECIFICATIONS

MATERIAL	UV rated, copolyester
LISTINGS	UL / cUL
WEIGHT	5 lbs (2.27 kg)

Product Warranty

Refer to <http://www.colorkinetics.com/ls/howtobuy/terms/> for standard Product Warranty information.