

iCOLOR TILE FX 2:2

INSTALLATION INSTRUCTIONS

Philips Solid-State Lighting Solutions, Inc.
3 Burlington Woods Drive
Burlington, Massachusetts 01803 USA
Tel 888.Full.RGB
Tel 617.423.9999
Fax 617.423.9998
www.colorkinetics.com

ITEM # 101-000019-00 (Indoor)

Copyright © 2008 Philips Solid-State Lighting Solutions, Inc. All rights reserved. Chromacore, Chromasic, CK, the CK logo, Color Kinetics, the Color Kinetics logo, ColorBlast, ColorBlaze, ColorBurst, ColorGraze, ColorPlay, ColorReach, DIMand, EssentialWhite, eW, iColor, iColor Cove, IntelliWhite, iV, iPlayer, Light Without Limits, Optibin, and Powercore are either registered trademarks or trademarks of Philips Solid-State Lighting Solutions, Inc. in the United States and/or other countries. All other brand or product names are trademarks or registered trademarks of their respective owners.

PUB-000100-00 Rev 02

Specifications subject to change without notice. Refer to www.colorkinetics.com for the most recent version.



GETTING STARTED

This document contains important information for installing and operating your new iColor Tile FX 2:2. Please read it carefully and save it for future reference.

Included In This Box

- (1) iColor Tile FX 2:2
- (1) Mounting Alignment Cleat
- (6) Corner Clips
- Installation Instructions

Option (Packaged Separately)

- iColor Tile Lens 2:2, ITEM # 101-000044-00

Additional Items Needed

- PDS-60ca 7.5V Power Supply, ITEM # 109-000015-00 / 01 / 02. One PDS-60ca 7.5V is needed for each iColor Tile FX 2:2.
- sPDS-480ca 7.5V Power Supply, ITEM # 109-000022-00. One sPDS-480ca 7.5V supports 8 iColor Tile FX 2:2.
- (10) #10 Fasteners (for wall mount)
- (4) Hanger wire screws/12 Ga hanger wire (for ceiling mount)
- Tools (screw gun, pliers, wire cutters, screw drivers, level)

GOAL OF THIS DOCUMENT

The goal of this document to explain the necessary steps to install iColor Tile FX 2:2 and assure peak performance. Its intended use is for reference only, by a fully qualified electrician or technician. This document should never be considered a substitute for any provision of a regulation or state and / or local code.



IDENTIFICATION AND WARNINGS OF SAFETY HAZARDS

In accordance with ANSI Z535.4-2002 the following system of identifying the severity of the hazards associated with the products is used:

- “**DANGER**” Imminently hazardous situation which, if not avoided, will result in death or serious injury.
- “**WARNING**” Potentially hazardous situation that, if not avoided, could result in death or serious injury.
- “**CAUTION**” Potentially hazardous situation that, if not avoided, may result in minor or moderate injury or property damage.

DANGER: Ensure that main power supply is off before installing or wiring iColor Tile FX 2:2 and PDS-60ca 7.5V power / data supply. Failure to adhere to these instructions will result in death or serious injury.

WARNING: iColor Tile FX 2:2 and PDS-60ca 7.5V power / data supply must be installed by a qualified electrician or technician in accordance with NEC and relevant local codes. Failure to comply could result in death, serious injury, or property damage.

WARNING: Do not attempt to install or use iColor Tile FX 2:2 or PDS-60ca 7.5V until you read and understand the installation instructions. Failure to adhere to these instructions could result in serious injury or property damage.

WARNING: Do not use iColor Tile FX 2:2 if any cables are damaged. Doing so can result in death, serious injury, or property damage.

WARNING: iColor Tile FX 2:2 has no serviceable parts. Do not open, alter or tamper with the product case. Doing so will result in product damage and void the warranty. To avoid electrical shock, never open the iColor Tile FX 2:2 case.

CAUTION: Do not use the alignment cleat as a permanent, solitary fixture hanger. Doing so will result in property damage and void the warranty.

CAUTION: Do not use sharp tools near or on the fixture lens or cable. Doing so will result in product damage and void the warranty.

CAUTION: Do not hot swap. Ensure that power supply is off before connecting or disconnecting fixtures. Hot swapping will result in damage and void the warranty.

NOTE: The instructions and precautions set forth in this user guide are not necessarily all-inclusive, all conceivable, or relevant to all applications as Philips cannot anticipate all conceivable or unique situations.

OWNER / USER RESPONSIBILITIES

It is the responsibility of the contractor, installer, purchaser, owner, and user to install, maintain, and operate iColor Tile FX 2:2 in such a manner as to comply with all state and local laws, ordinances, regulations, and the American National Standards Institute Safety Code.

PLAN THE INSTALLATION

The nature of iColor Tile FX 2:2 installation requires in-depth planning to ensure timely, successful installation and operation with minimal complications and down time.

INSTALLATION CONSIDERATIONS

- Consult an Electrical Inspector to approve all wiring plans.
- Refer to local and state codes for installation compliance.
- Address fixtures prior to installation.
- Create a Mapping Grid. Use this grid to record light addresses and power supplies locations for easy reference.
- Employ Philips Solid-State Lighting Solutions Application Engineering Services.

CONFIGURING iCOLOR TILE FX 2:2

How the iColor Tile FX 2:2 is addressed depends on the method of control and the PDS-60ca 7.5V power / data supply that you choose.

PDS-60ca 7.5V DMX: The DMX version of the PDS-60ca 7.5V lets you auto-configure the light number sequentially from one to 144 for each power / data supply. To assign unique base numbers for each sequential run or set all nodes to the same number, you must download the PDS-60ca-DMX Tool from the Color Kinetics website. For complete instructions, refer PDS-60ca 7.5V User Guide and to the PDS-60ca-DMX Tool User Guide at www.colorkinetics.com/support.

PDS-60ca 7.5V Ethernet: The Ethernet version of the PDS-60ca 7.5V is used in conjunction with Light System Manager. Light System Manager includes Light System Composer software and Light System Engine hardware. With Light System Manager, you can discover and map the tile light nodes through the PDS-60ca 7.5V. No addressing is required.

PDS-60ca 7.5V Preprogrammed: When using the preprogrammed PDS-60ca 7.5V no addressing is necessary.

INSTALLING iCOLOR TILE FX 2:2

WARNING: Ensure the power is off before installing iColor Tile FX. Failure to do so can result in personal injury and property damage.

CAUTION: Do not hot swap. Ensure that power supply is off before connecting or disconnecting fixtures. Hot swapping will result in property damage and void the warranty.

DETERMINE THE LOCATION OF THE POWER SUPPLY

- Determine a location out of direct view for the power supply(s).

Power / Data Supply	Supported Number of iColor Tile FX 2:2 Fixtures
PDS-60ca 7.5V	1
sPDS-480ca 7.5V	8

– The power / data supply can be located up to 20 ft (6 m) from the iColor Tile FX 2:2 fixture.

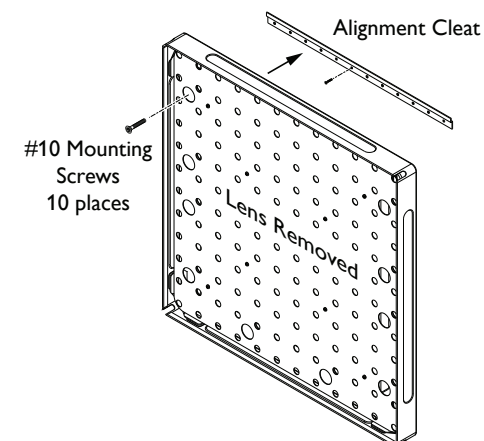
- Install the power / data supply according to the instructions in the Installation Instructions.

INSTALL iCOLOR TILE FX 2:2

Wall Installation: iColor Tile FX 2:2 is a direct view, wall mount lighting fixture. The mounting cleat lip is located at the top of the tile. Install all tiles with the top up to get the desired visual effects.

- Using a pencil or chalk line, mark the horizontal location for the tile alignment cleat.
- Align the cleat along the mark and attach to wall with nails or screws. Use a level to ensure proper alignment. See Fig. 1.

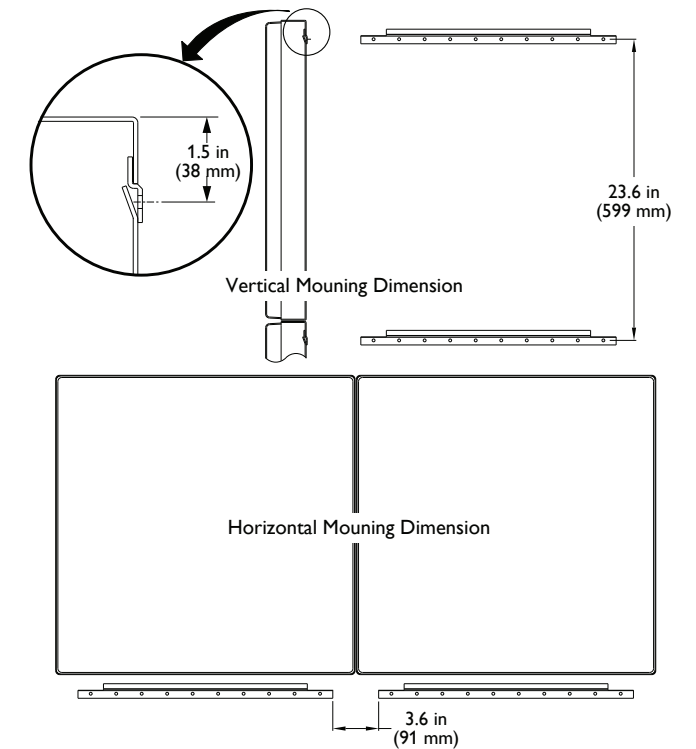
Fig. 1



Note: The alignment cleat is a tool to temporarily hold the tile in proper alignment during installation. The cleat alone is not intended to support the tile in a permanent installation.

- Attach the Tile unit to the wall using #10 screws suitable for the mounting surface. See Fig. 1.
- For butt mount installations, refer to Fig. 2 for horizontal and vertical spacing

Fig. 2 Vertical & Horizontal Mounting Dimensions

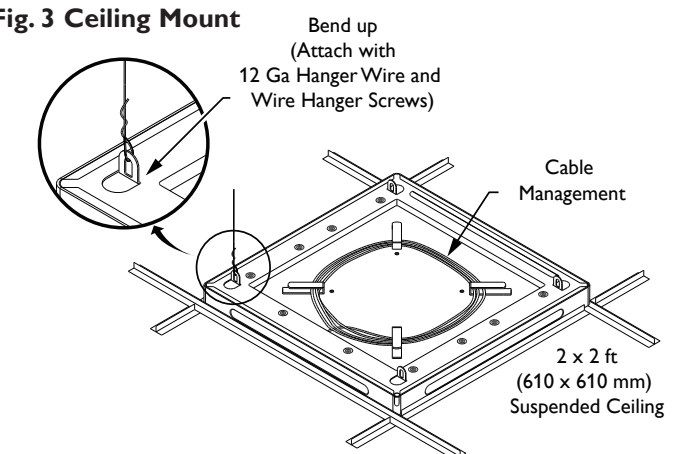


Ceiling Installation: iColor Tile FX 2:2 is designed to fit into 2 x 2 ft (609 x 609 mm) suspended ceiling frames. The mounting cleat lip is located at the top of the tile. Install tiles with the top oriented in the same direction to get the desired visual effects.

CAUTION: Suspended ceiling frames are not adequate to safely suspend iColor Tile FX 2:2. 12 Ga hanger wire and wire hanger screws are necessary for proper installation.

- Bend ceiling mount hangers perpendicular to the tile back plate. Hangers are located in each corner.
- Thread 12 Ga hanger wire through each hanger and attach to ceiling using hanger wire screws. Adjust wire length to align tile with the existing ceiling height. See Fig 3.

Fig. 3 Ceiling Mount



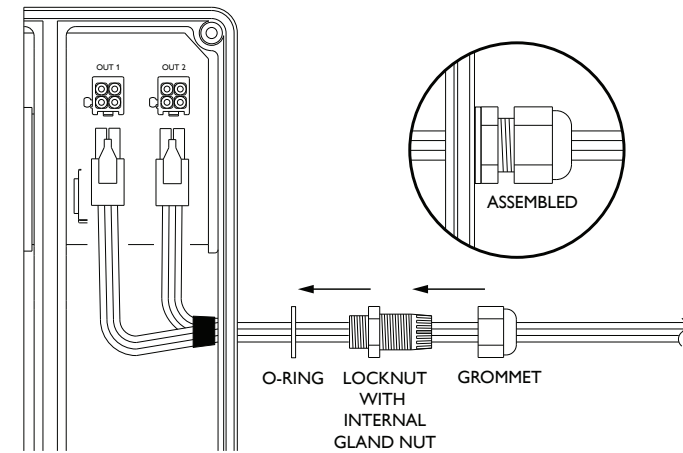
CONNECT LIGHTS TO THE PDS-60ca 7.5V

- Thread the connector end of the iColor Tile FX 2:2 through a threaded hole on the PDS-60ca 7.5V power / data supply. Snap the connector label #1 into the 4-pin connectors labeled Out 1. Snap the #2 connector into Out 2.

- To make the watertight connection, separate the watertight grommet and locknut.

- Insert the locknut through O-ring and into the conduit hole and tighten. Tighten until O-ring is engaged.
- Ensure that the cable inside of the PDS-60ca has slack, then tighten grommet over the locknut. Tighten until cable is held secure and functioning in strain relief capacity. O-ring and internal gland nut must be engaged to create a water-tight seal. See Fig. 4.

Fig. 4: Tile Connection



CONNECT DATA

- Data is connected to the iColor Tile FX 2:2 via the PDS-60ca 7.5V power / data supply.

- Data connections vary depending on the type data used with the appropriate PDS-60ca 7.5V. Refer the figures below.

- Fig. 5: Preprogrammed control
- Fig. 6: DMX control
- Fig. 7: Ethernet control

For complete instructions and wiring diagrams for your power / data supply, refer to the PDS-60ca User Guide and wiring diagrams located at www.colorkinetics.com/support.

If any problems occur during usage, unplug the product immediately and call or email: Philips Solid-State Lighting Solutions Technical Support Group at 1-888-FULL RGB or 617-423-9999 or www.colorkinetics.com/support

Fig. 5: Preprogrammed Control

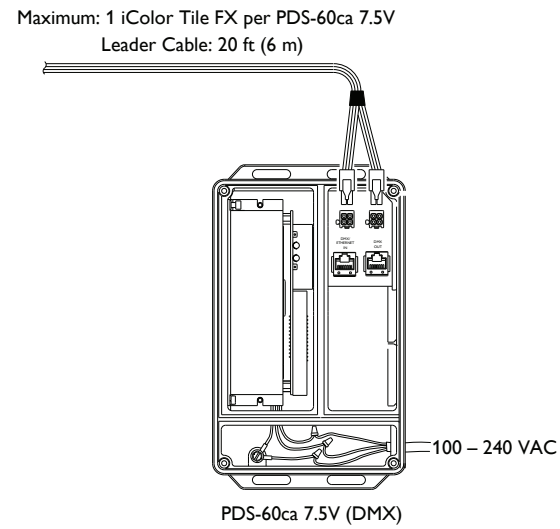


Fig. 6: DMX Control

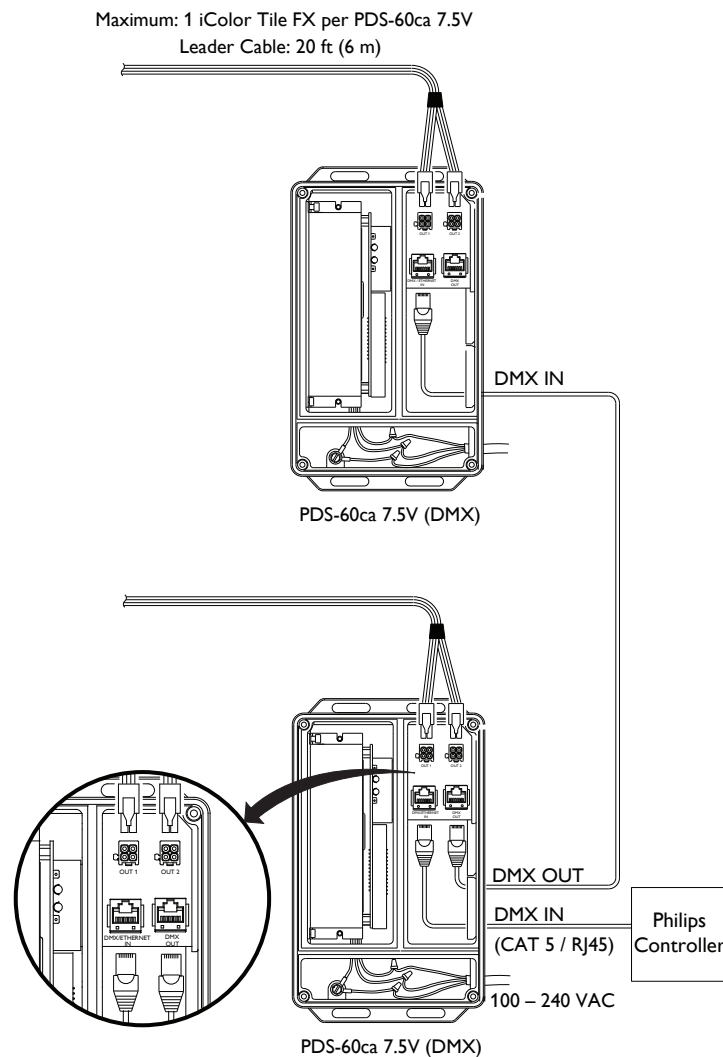
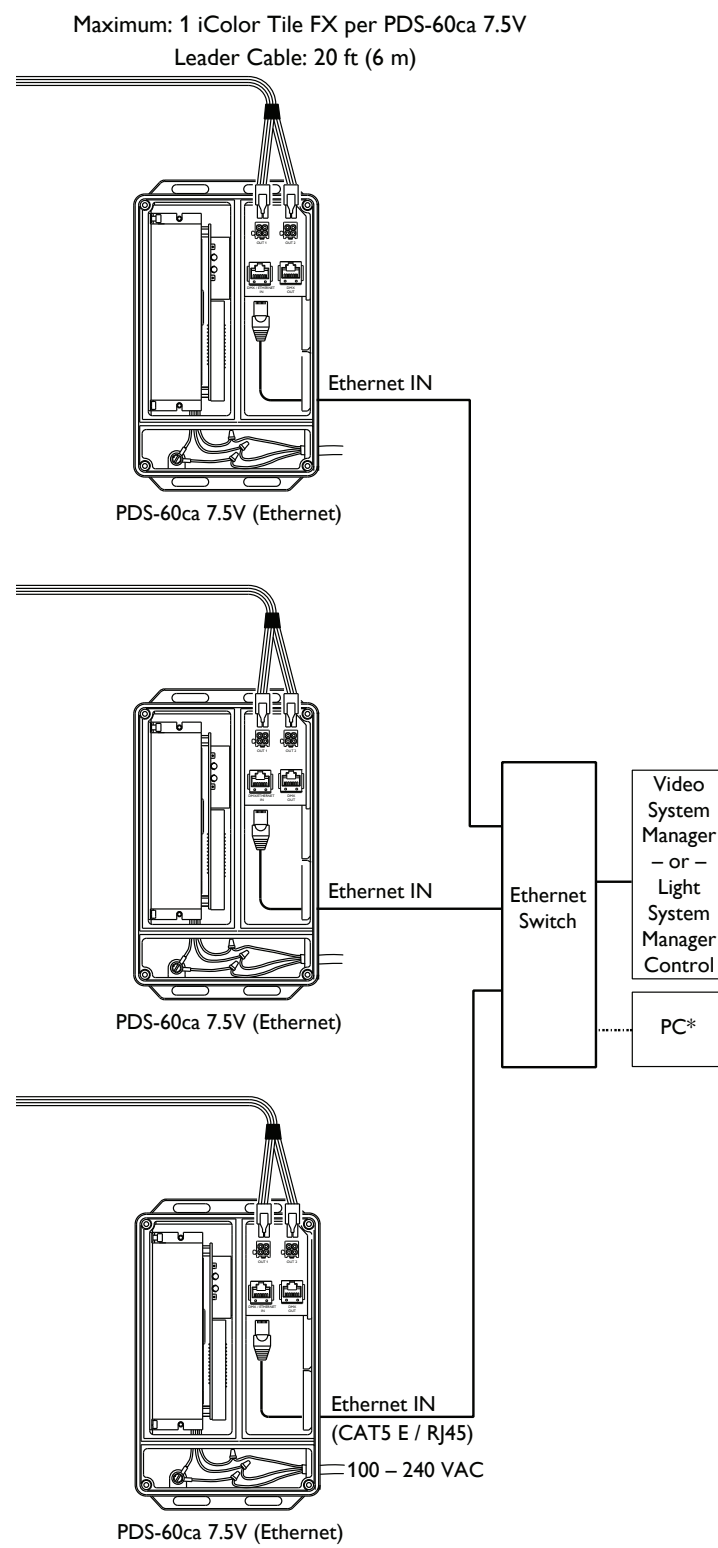


Fig. 7: Ethernet Control



*PC (Windows or Mac OS) is used for show authoring and show control.

iCOLOR TILE FX 2:2 SPECIFICATIONS

SOURCE	High brightness LEDs
SOURCE LIFE	50,000 hours L ₅₀ @ 50C*
HOUSING	Sheet metal housing (indoor)
LENS TYPE	Copolyester
CONNECTORS	4-pin connector for Philips PDS-60ca 7.5V power / data supply
LISTINGS	UL / cUL, CE
DATA INTERFACE	Color Kinetics Chromasic data interface system
POWER SUPPLY	PDS-60ca 7.5V (Item # 109-000015-00 / 01 / 02) sPDS-480-ca 7.5V (Item # 109-000022-00)
POWER REQUIREMENT	7.5VDC
POWER CONSUMPTION	62W maximum at full intensity (full RGB)
DIMENSIONS	24 x 24 x 3 in (607 x 607 x 76 mm)
WEIGHT	22.5 lbs (10.2 kg)
TEMPERATURE	-4° - 104° F (-20° - 40°C)
HUMIDITY	0 - 95%, non-condensing

*L₅₀ = 50% maintenance of lumen output (when light output drops below 50% of initial output).

Product Warranty

Refer to www.colorkinetics.com/ls/howtobuy/terms/ for standard Product Warranty information.