

eW COVE 0-10V DIMMING ADAPTER KIT



USER GUIDE

An ESSENTIALWHITE™ Product

COLOR KINETICS INCORPORATED
10 MILK STREET, SUITE 1100
BOSTON, MA 02108
TEL 888 FULL RGB
TEL 617 423 9999
FAX 617 423 9998
INFO@COLORKINETICS.COM
WWW.COLORKINETICS.COM

eW Cove Dimming Adapter Kit
ITEM# 107-000007-01

This product is protected by one or more of the following patents: U.S. Patent Nos. 6,016,038, 6,150,774 and other patents listed at <http://colorkinetics.com/patents/>. Other patents pending.

©2006 Color Kinetics Incorporated. All rights reserved. Chromacore, Chromasic, Color Kinetics, the Color Kinetics logo, ColorBlast, ColorBlaze, ColorBurst, ColorCast, ColorPlay, ColorScape, Direct Light, iColor, iColor Cove, iPlayer, Optibin, Powercore, QuickPlay, Sauce, the Sauce logo, and Smartjuice are registered trademarks and DiMand, EssentialWhite, eW, IntelliWhite, iW, and Light Without Limits are trademarks of Color Kinetics Incorporated.

All other brand or product names are trademarks or registered trademarks of their respective owners.

PUB-000162-00 Rev 00

Specifications subject to change without notice. Refer to www.colorkinetics.com for the most recent user guide versions.

DI M A N D
BY COLOR KINETICS



GETTING STARTED

The eW™ Cove Dimming Adapter Kit brings dimming functionality to eW Cove fixtures. Using the eW Cove Dimming Adapter Kit, one 0-10 V dimmer can be used to dim multiple runs of eW Cove fixtures. This guide contains important information about installing and operating your new eW Cove Dimming Adapter Kit safely and accurately.

Included In This Box

- Dimming Adapter (ITEM# ASY-000382-00 R00)
- Dimming Leader Cable (iColor Cove EC and iColor Cove QL 30' (9.14 m) Leader Cable) (ITEM# 108-000015-00)
- DC Power Cable (ITEM# ASY-000383-00 R01)
- 3-pin Terminator
- User Guide

Additional Items Needed

- eW Cove fixtures (500-000004 or 500-000005)
- PS-96 24V (ITEM# 109-000025-00) or any other 24 VDC Class 2 UL 1310 Listed power supply
- 0-10V Dimmer
- Flat head screws suitable for mounting surface

Scope of this Guide

The goal of this user guide is to explain the steps necessary to install the eW Cove Dimming Adapter Kit and assure peak performance. Its intended use is for reference only, by a fully qualified electrician or technician. This document should never be considered a substitute for any provision of a regulation or state and/or local code.

Identification and Warnings of Safety Hazards

In accordance with ANSI Z535.4-2002, the following system is used to identify the severity of the hazards associated with the products:

“**DANGER**” Imminently hazardous situation which, if not avoided, will result in death or serious injury.

“**WARNING**” Potentially hazardous situation which, if not avoided, could result in death or serious injury.

“**CAUTION**” Potentially hazardous situation which, if not avoided, may result in minor or moderate injury or property damage. Also used to alert against unsafe practices.

IGNORING A HAZARD WILL VOID ANY WARRANTY.

WARNING: Risk of electric shock. Ensure that main power supply is off before installing or wiring eW Cove Dimming Adapter Kit, the eW Cove fixtures, and the power supply.

WARNING: The eW Cove Dimming Adapter Kit, the eW Cove fixtures, and the power supply must be installed by a qualified electrician or technician in accordance with NEC and relevant local codes.

WARNING: Do not attempt to install or use the eW Cove Dimming Adapter Kit, the eW Cove fixtures, or the power supply until you read and understand the installation instructions.

WARNING: Do not use the eW Cove Dimming Adapter Kit if any cables are damaged.

WARNING: This is a class A product. In a domestic environment, this product may cause radio interference in which case, the user may be required to take adequate measures.

CAUTION: The eW Cove Dimming Adapter Kit has no serviceable parts. Do not attempt to open the fixture.

CAUTION: The eW Cove Dimming Adapter Kit is an indoor/dry rated fixture. Do not install outdoors or in wet locations.

CAUTION: Do not use sharp tools near or on the fixture lens or cable.

CAUTION: Do not hot swap. Ensure that power supply is off before connecting or disconnecting fixtures.

NOTE: The instructions and precautions set forth in this user guide are not necessarily all-inclusive, all conceivable, or relevant to all applications as Color Kinetics cannot anticipate all conceivable or unique situations.

Owner/User Responsibilities

It is the responsibility of the contractor, installer, purchaser, owner, and user to install, maintain, and operate the eW Cove Dimming Adapter Kit in such a manner as to comply with all state and local laws, ordinances, regulations, and the American National Standards Institute Safety Code.

PLANNING THE INSTALLATION

The eW Cove installation requires planning to ensure timely, successful installation with minimal complications and down time.

Planning Suggestions

Refer to the eW Cove User Guide (PUB-000155-00) for detailed information on planning an eW Cove installation. This user guide provides information on installing the eW Cove Dimming Adapter Kit with eW Cove fixtures.

Installation Considerations

When planning your installation, consider the following:

- **Location of the power supply in relationship to eW Cove Dimming Adapter.** The distance between the PS-96 24V or any other 24 VDC Class 2 UL 1310 Listed power supply must not exceed 6-7 feet (1.83-2.13 m).
- **Location of the eW Cove fixtures in relationship to the eW Cove Dimming Adapter.** The distance between the first eW Cove fixture in each run and the eW Cove Dimming Adapter must not exceed 30 feet (9.14 m).
- **Location of eW Cove Dimming Adapter in relationship to the 0-10V Dimmer.** The distance between the eW Cove Dimming Adapter and the 0-10 VDC Dimmer must not exceed 50 feet (15.24 m).
- **Selection of mounting hardware.** The mounting screws to be used are dictated by the mounting surface. Ensure that the hardware selected is appropriate for the mounting surface.
- **Using a single Dimmer to control multiple runs of eW Cove fixtures.** One Dimmer can control up to 50 runs of eW Cove fixtures; however each run requires its own Dimming Adapter Kit and power supply. If you use one Dimmer to control multiple runs of fixtures, you can daisy chain the Dimming Adapters together as long as you ensure that the positive wires are always connected to the positive connectors and the negative wires are always connected to the negative connectors.

Fig. 1 shows the fully configured installation. This figure will be referred to in the following installation steps.

1. Install the eW Cove Dimming Adapter.
2. Install and connect the 0-10V Dimmer.
3. Connect the Dimming Leader Cable to the Dimming Adapter.
4. Connect the power supply(s).
5. Install the eW Cove fixtures.

Installing the eW Cove Dimming Adapter

The Dimming Adapter can be installed into a multi-gang junction box or it can be mounted on a suitable flat surface.

Installing and Connecting the 0-10V Dimmer

The user-supplied 0-10V Dimmer can be installed into a multi-gang junction box or it can be mounted on a suitable flat surface.

Once the Dimmer is mounted, it must be connected to the Dimming Adapter.

NOTE: Most Dimmers have two wires, a positive (purple) wire and a negative (gray) wire, that must be connected to the Dimming Adapter. Refer to the Dimmer manufacturer's documentation for information on wiring.

1. Connect the positive (purple) wire on the Dimmer to the lower (positive) position on the terminal block on the Dimming Adapter (see Fig. 2).
2. Connect the negative (gray) wire on the Dimmer to the upper (negative) position on the terminal block on the Dimming Adapter (see Fig. 2).

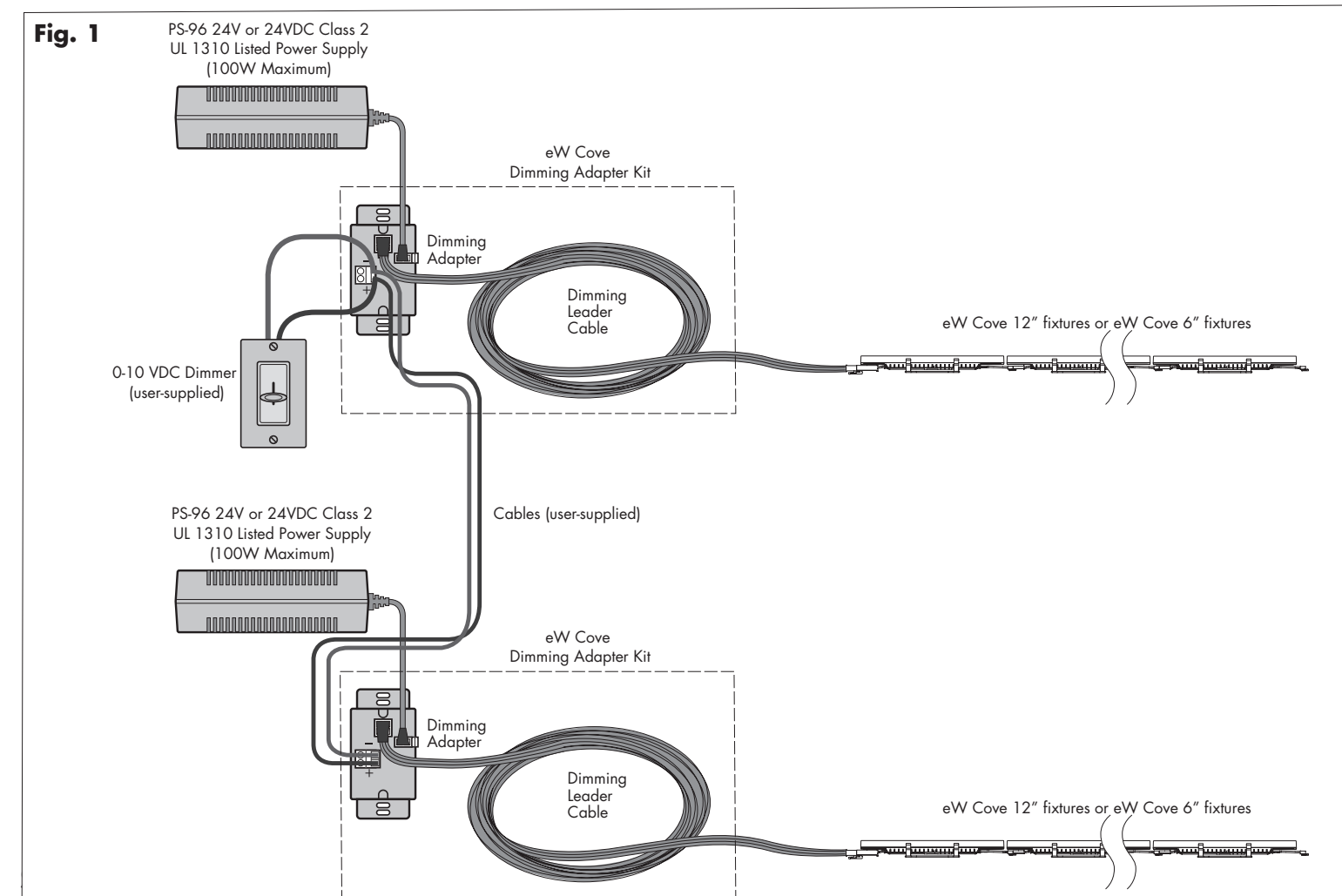
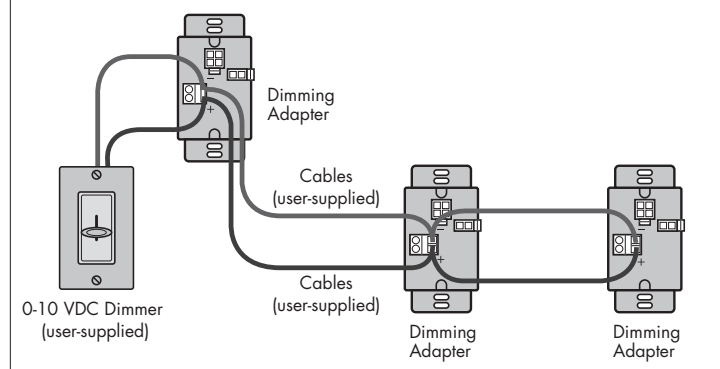


Fig. 2



If you wish to connect multiple Dimming Adapters to a single Dimmer, do so by connecting the positive and negative wires from the Dimmer to the Dimming Adapters. You can either connect multiple Dimming Adapters to a single Dimmer or you can daisy chain the Dimming Adapters together as shown in Fig. 2.

NOTE: When connecting multiple Dimming Adapters, always connect the positive wires to the positive position on the terminal block and the negative wires to the negative position on the terminal block.

Connecting the Dimming Leader Cable to the Dimming Adapter

Connect one end of the Dimming Leader cable to the upper, middle connector on the Dimming Adapter (see Fig. 1). If you have multiple Dimming Adapters, there will be one Dimming Leader cable for each Dimming Adapter. The other end of the Dimming Leader cable will be connected to the fixtures later in the installation.

Connecting the Power Supply(s)

CAUTION: Do not connect the power supply to AC power (a wall outlet) until all fixtures have been installed and connected. Failure to comply may result in minor or moderate injury or property damage and will void the warranty.

Refer to the eW Cove User Guide for information on power supplies. You need one power supply for each Dimming Adapter connected to a run of eW Cove fixtures.

There are two ways to connect to the Dimming Adapter, depending on the type of power supply being used:

- To connect the PS-96 24V power supply to the Dimming Adapter, connect the 2-pin connector on the power supply to the 2-pin connector on the right side of the Dimming Adapter (see Fig. 1).

OR

- To connect an alternate power supply to the Dimming Adapter, connect the positive and negative leads on the DC Power Cable to the power supply, and then connect the 2-pin connector on the DC Power Cable to the 2-pin connector on the right side of the Dimming Adapter.

Installing the eW Cove Fixtures

Refer to the eW Cove User Guide for information on installing the fixtures.

NOTE: Install the fixtures as described in the eW Cove User Guide, except connect the first fixture in each run to the Dimming Leader Cable, not the eW Cove Leader Cable.

NOTE: If an Active Dimmer (one that requires AC power) is used, the Active Dimmer must be powered up before the power supply is connected to AC power.

When all fixtures are connected, plug the power supply into AC power (a wall outlet). For detailed instructions, refer to the installation instructions for the power supply.

SPECIFICATIONS

HOUSING	Molded black plastic with connectors on front Steel mounting plate Dimensions: 4.2" L x 2.0" W x 1.2" H (10.67 cm L x 5.08 cm W x 3.05 cm H)
CONNECTORS	Input: <ul style="list-style-type: none">- 2-position Connector (for PS-96 24V or any 24 VDC Class 2 UL 1310 Listed power supply)- 2-position terminal block (for 0-10V Dimmer) Output: <ul style="list-style-type: none">- 4-position connector (for Dimming Leader Cable)
OPERATING CONDITIONS	Indoor rated
OPERATING TEMPERATURE	14°F to 122°F (-10°C to 50°C)

WARRANTY

This product is sold pursuant to CK's Standard Terms and Conditions (the "T&Cs") which may be found at <http://colorkinetics.com/howtobuy/buy/terms> and which contain important provisions, including, among others, Limited Warranty, exclusions and limitations on CK's liability for damages, and restrictions on the remedies that are available to you.