



sPDS-60ca 24V DMX/ETHERNET



FEATURES

- Economical
- Compact size
- Easily installable
- DMX and Ethernet ready
- Robust 62W power source
- Compact design
- Push buttons for addressing and grouping
- Automatic recognition and addressing of Chromasic fixtures
- Grouping of Chromasic light addresses
- Reverse addressing of output port 1



sPDS-60ca 24V
iColor Cove EC
iColor Cove QL
カラーキネティクス・ジャパン株式会社
AC 100-240V
0.110-0.075A (1.1-0.3A, 30 EC fixtures)
0.5-0.1A (1.1-0.3A, 20 12" QL fixtures)

ITEM# 109-000021-02 (DMX/Ethernet)

This product is protected by one or more of the following patents: U.S. Patent Nos. 6,016,038, 6,150,774 and other patents listed at <http://colorkinetics.com/patents/>. Other patents pending.

©2006 Color Kinetics Incorporated. All rights reserved. Chromacore, Chromasic, Color Kinetics, the Color Kinetics logo, ColorBlast, ColorBlaze, ColorBurst, ColorCast, ColorPlay, ColorScape, Direct Light, iColor, iColor Cove, iPlayer, Orbitbin, Powercore, QuickPlay, Sauce, the Sauce logo, and Smartjuice are registered trademarks and DIMand, EssentialWhite, IntelliWhite, and Light Without Limits are trademarks of Color Kinetics Incorporated.

All other brand or product names are trademarks or registered trademarks of their respective owners.

BR0188 Rev 00

Specifications subject to change without notice.

Color Kinetics® sPDS-60ca 24V DMX/Ethernet intelligent, indoor power/data supply is specifically designed for Color Kinetics 24-volt Chromasic® fixtures. This compact power/data supply is commonly mounted out of sight from the end-user. A typical installation might include 150 to 200 fixtures and would require 8 to 10 power/data supplies.

sPDS-60ca 24V DMX/Ethernet is a robust 62W power source with DMX and Ethernet interfaces. It is used with Color Kinetics DMX controllers, DMX512 compatible controllers, or Color Kinetics' Ethernet protocol.

The DMX or Ethernet data driver conditions the supplied data to a format compatible with the fixtures. The integration of power and data simplifies wiring installation, and the selection of control configurations expands the versatility of the applications.

Push buttons on the front panel of sPDS-60ca 24V DMX/Ethernet are used to select the base address for each power supply, eliminating the need for additional addressing tools. After the base address has been selected, each light can be sequentially addressed, or all lights can be set to a single address. Additionally, a group of fixtures can be assigned to a single address. The group addressing feature limits the number of addresses needed, enabling the use of a lower cost control system.

sPDS-60ca 24V also has a reverse addressing feature, which allows the power supply to be mounted in the center of a linear run or to feed a multiple supply installation from each side and still have the ability to chase from one end of the light run to the next. All functions can be monitored from the LED display located on the front panel.

sPDS-60ca 24V is housed in a compact enclosure, designed for use in dry locations, and it complies with National Electrical Code (NEC) requirements. The data drive circuitry has been specifically designed with short circuit protection to prevent failures due to incorrect wiring.

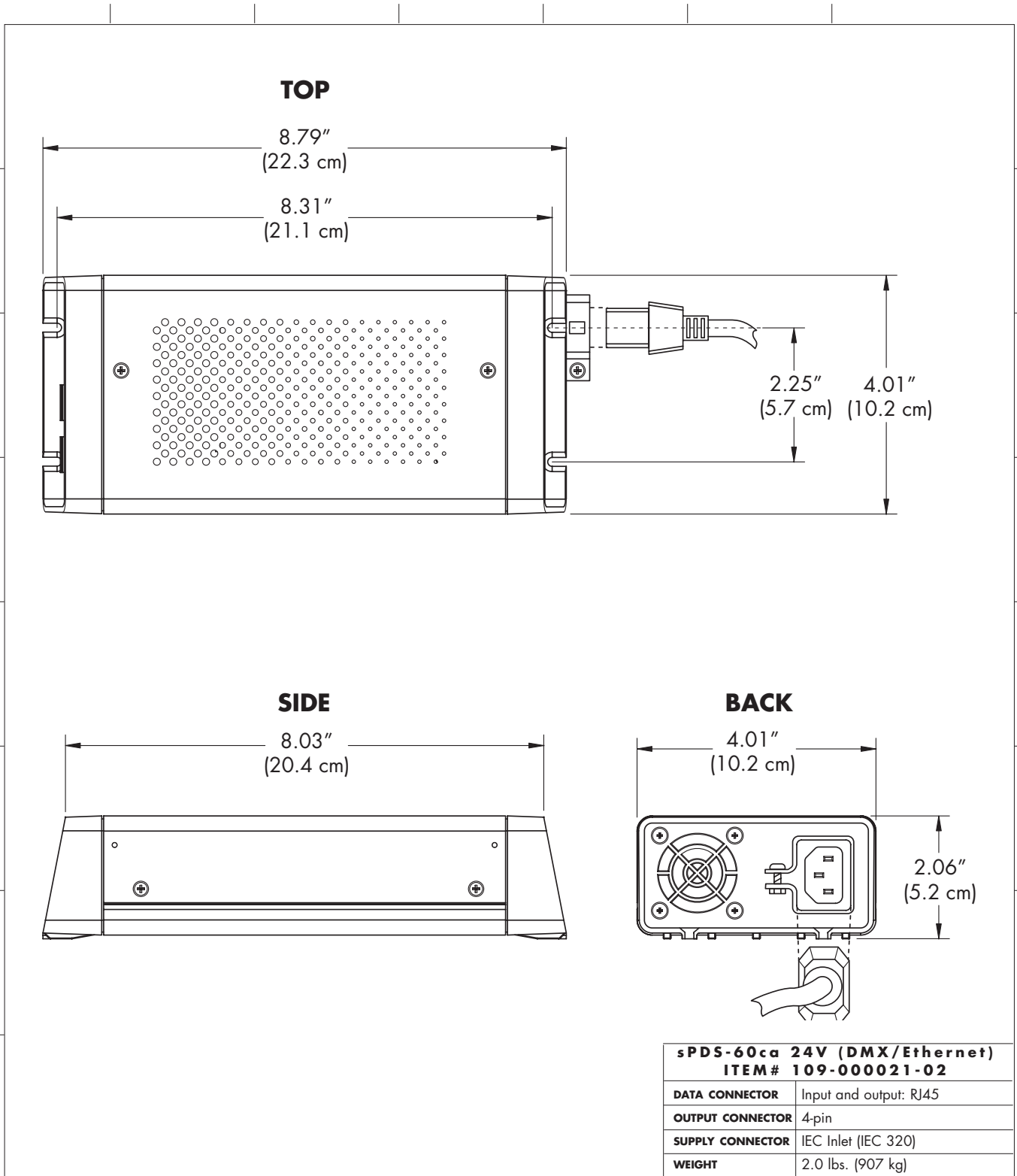
sPDS-60ca 24V automatically accommodates supply voltages ranging from 100VAC to 240VAC using a standard IEC cable. All product and data connections are made to the external panels to shorten installation time. sPDS-60ca 24V allows the DMX data to be daisy-chained through the RJ45 terminals from one supply to the next.

sPDS-60ca 24V SPECIFICATIONS

POWER INPUT	100-240VAC, 50Hz-60Hz, 1.1-0.4A
POWER OUTPUT	24VDC (62W Max.)
HEAT DISSIPATION	22% of total power input at maximum load
AMBIENT OPERATING TEMP	14°F to 122°F (-10°C to 50°C)
HOUSING	8.8" (22.4 cm) X 4.0" (10.2 cm) X 2.0" (5.1 cm) Weight: 2.0 lbs (907 g)
CONNECTORS	Data: RJ45 input and output connectors Power: 4-pin output connectors, IEC power connector (Supplied with C13 IEC plug, grounded US outlet plug. UL/CSA rated 18 AWG 3/C ST 90°C Rated.)
DATA INPUT INTERFACE	Color Kinetics DMX Controllers or DMX512 compatible controllers or Color Kinetics Video System Manager or Light System Manager
DATA OUTPUT INTERFACE	Chromasic 24V
LISTINGS	UL/cUL, CE, PSE
MAX. # OF FIXTURES	iColor Cove QL 12": 20; iColor Cove QL 6": 36 iColor Cove EC: 30

sPDS-60ca 24V

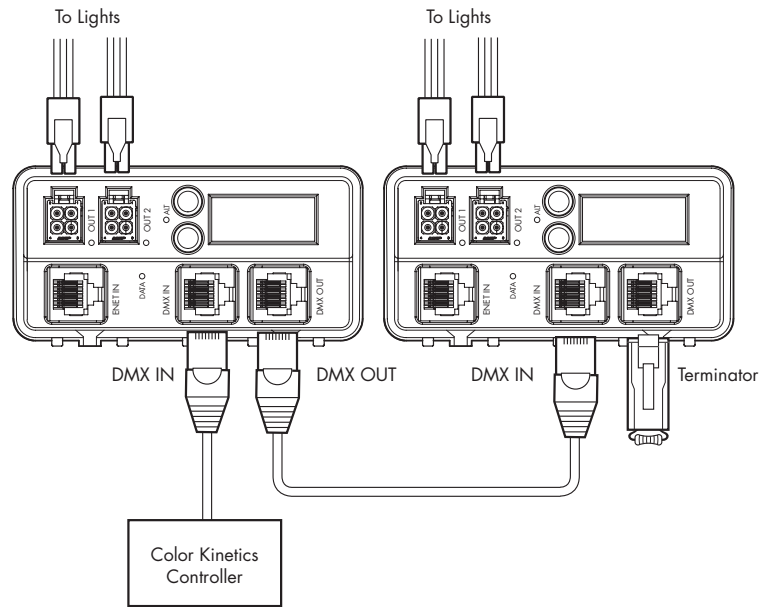
PHYSICAL DIMENSIONS



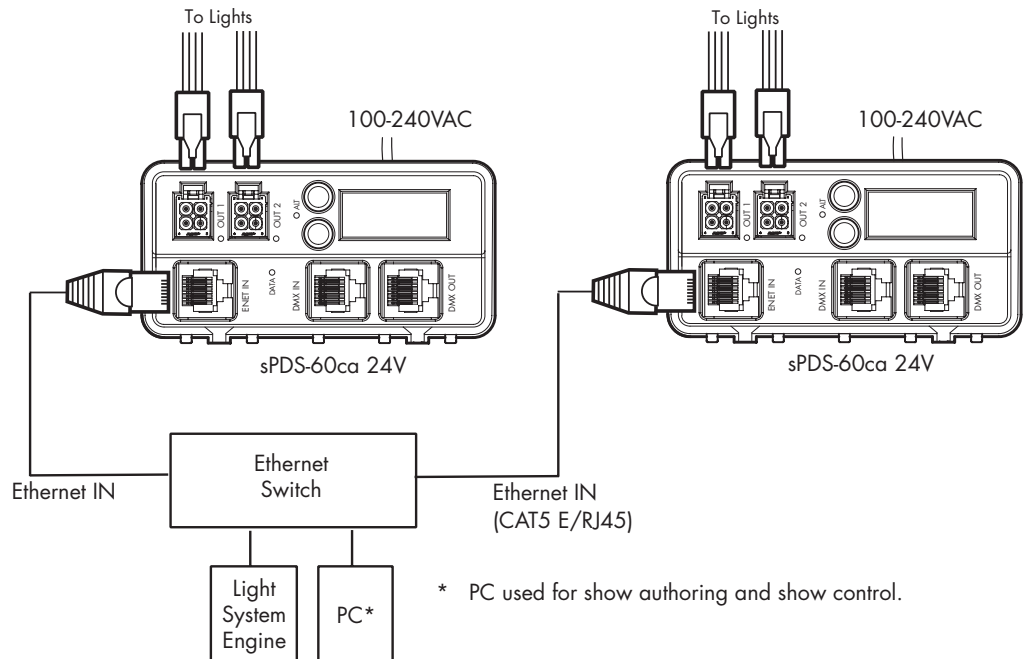
sPDS-60ca 24V

FUNCTIONAL FLOW DIAGRAM

DMX Wiring



Ethernet Wiring



For complete installation instructions and safety precautions, refer to the sPDS-60ca 24V DMX/Ethernet User Guide and wiring diagrams located at www.colorkinetics.com/support.