



Date: _____
Type: _____
Firm Name: _____
Project: _____



sPDS-480ca 7.5V

Power/data supply for large-scale Ethernet installations

sPDS-480ca 7.5V is a power/data supply designed for large-scale Ethernet LED lighting installations using low-voltage luminaires from Philips Color Kinetics.

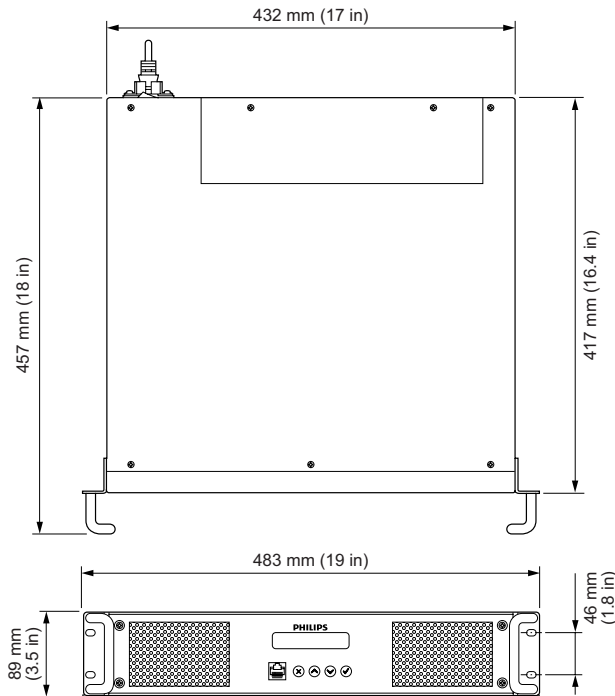
sPDS-480ca 7.5V

Power/data supply for large-scale Ethernet installations

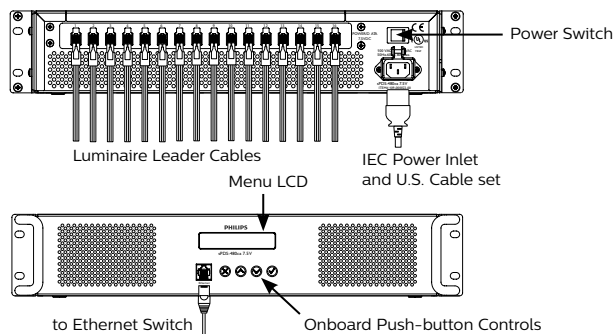
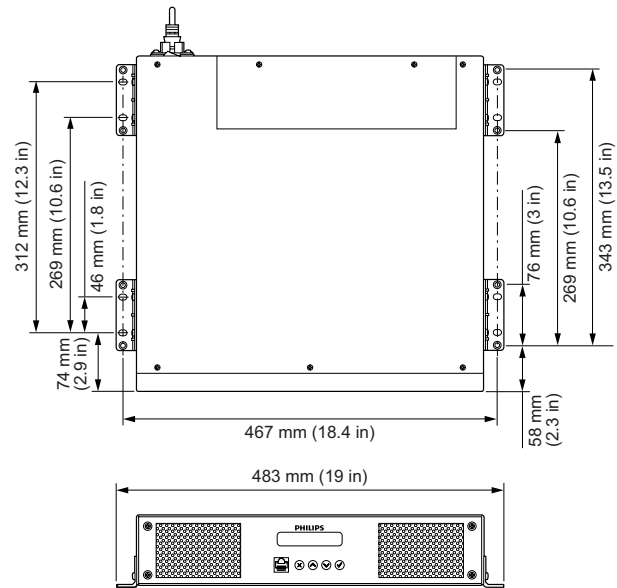
- sPDS-480ca 7.5 V delivers 480 watts of output via sixteen 30-watt ports and automatically accommodates input voltages ranging from 100 VAC to 240 VAC. Short-circuit protection prevents device failure due to incorrectly wired fixtures. The standard IEC power inlet accepts both US and international power cables.
 - With onboard controls, sPDS-480ca 7.5 V incorporates automatic fixture discovery and testing, eliminating the need for additional addressing tools or software. sPDS-480ca 7.5 V features a backlit LCD for easy menu viewing.
 - Housed in a 2U rack-mountable enclosure, sPDS-480ca 7.5 V includes rack handle and surface-mount brackets, for versatile mounting options.
 - Over-temperature detection and selectable shutdown options protect sPDS-480ca 7.5 V against operation beyond its rated temperature specification. Variable-speed fans keep noise levels low and include serviceable air filters.
- For detailed product information, please refer to the sPDS-60ca 24V Product Guide at <http://www.colorkinetics.com/ls/pds/spds480/>.

Dimensions

Rack-Mount Configuration



Surface-Mount Configuration



Specifications

Due to continuous improvements and innovations, specifications may change without notice.

Date: _____

Type: _____

Firm Name: _____

Project: _____



sPDS-480ca 7.5V

Electrical

Input Voltage	100 to 240 VAC, auto-ranging, 50/60 Hz
Power Consumption	8 A at 100 VAC 7 A at 120 VAC 3.5 A at 240 VAC
Power Output	7.5 VDC, 480 W (30 W per power port)
Fuse Rating	(16) 5 A, 125 V, 5 x 20 fast blow fuses

Control

Data Input Source	Philips full range of Ethernet controllers, or KINET-compatible* third-party Ethernet controllers
Data Input	RJ-45 input connectors
Power and Data Output	(16) 4-pin output receptacles
Power Input	IEC 320 receptacle type C13, locking clamp

Physical

Dimensions <i>(Height x Width x Depth)</i>	89 x 483 x 457 mm (3.5 x 19 x 18 in)
Weight	13 kg (28.7 lb)
Housing Material	2U aluminium chassis
Finish	Black matte
Mounting	Rack and Surface-mountable
Compatible Luminaire	(1,152) iColor Flex MX gen2 nodes
Temperature Ranges	-10 to 50 °C (14 to 122 °F) Operating -10 to 50 °C (14 to 122 °F) Startup -40 to 80 °C (-40 to 176 °F) Storage
Humidity	0 to 95%, non-condensing
Cooling	(2) speed-configurable fans, with serviceable air filters
Airflow	Front panel, back panel output
Heat Dissipation	25% of total power input

Certification and Safety

Certification	UL/cUL
Classification	UL Class 2 power supply
Environment	Dry/Damp Location, IP20



* KINET is the Ethernet lighting protocol from Philips Color Kinetics.

Part numbers

Use Item Number when ordering in North America.

Power Supply	Item Number	Philips 12NC
sPDS-480ca 7.5V, US power cord <i>Power/data supply, IEC US power cord, rack-mount brackets, surface-mount brackets, and Installation Instructions</i>	109-000022-00	910503700107

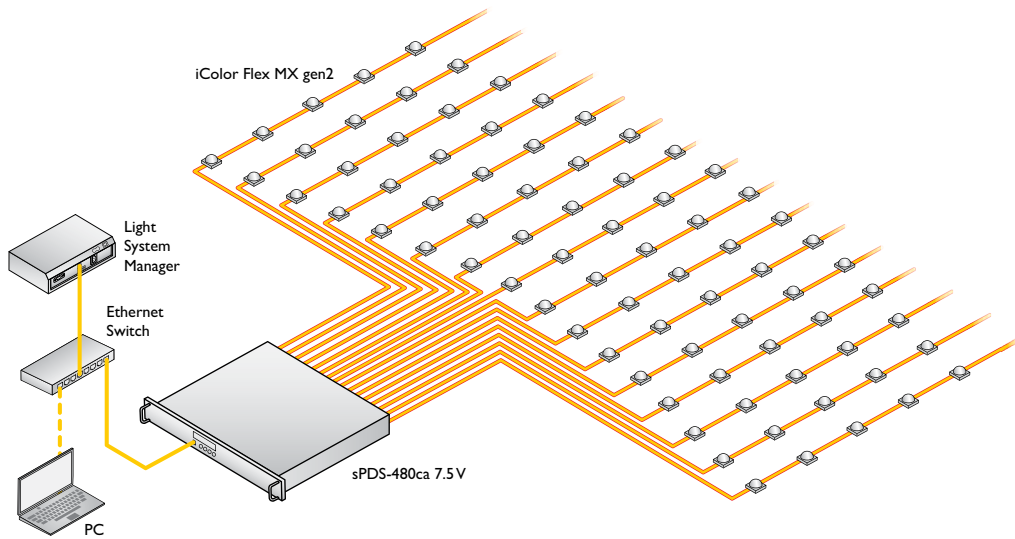
Additional Information

For device mounting and maintenance details, refer to the Installation Instructions included in the product packaging, or download documentation from www.colorkinetics.com/ls/pds/spds480/.

sPDS-480ca 7.5V wiring diagrams are available online at www.colorkinetics.com/support/wiring/.

For complete instructions detailing sPDS-480ca 7.5V onboard controls and features, refer to the Addressing and Configuration Guide available online at www.colorkinetics.com/support/addressing/.

Installation Example



Each sPDS-480ca 7.5 V unit delivers power and data to a maximum of 1,152 nodes. The maximum number of sPDS-480ca 7.5 V units per installation varies based on the controller type and the node quantities of the fixtures.

