



# sMOPS-150



The Color Kinetics® sMOPS-150 power supply is specifically designed to power installations using Color Kinetics new C-Splash™ underwater fixture. This power supply has a power output of 6A @ 24V DC (150W) and can run up to four C-Splash units. The sMOPS-150 is not suited for outdoor locations and must be shielded from water spray.

The sMOPS-150 power supply can be set for either 115V AC or 230V AC input by flipping a switch, and also offers several features specifically for contractor-installed lighting applications. sMOPS-150 is designed for the light fixture to be hardwired to the power supply, to receive both power and data signals; it distributes the data signal from the RJ45 or screw terminal input to all light fixtures; and the entire package is designed into a NEMA-style enclosure. The enclosure has seven pre-formed holes sized for standard 1/2" conduit connectors in compliance with National Electrical Code (NEC) requirements in all US cities. Whenever side-by-side mounting is required, a punch-out is available on each end of the power supply for easy access.

The sMOPS-150 power supply unit and housing are packaged together. For installations requiring large numbers of sMOPS-150 units, the data signal can easily be daisy-chained from power supply to power supply.

## sMOPS-150 SPECIFICATIONS

<b>POWER OUTPUT</b>	6 A @ 24 V DC (150 W)
<b>POWER INPUT</b>	115V AC (3.2A) or 230V AC (1.6A) switch selectable (50Hz–60Hz)
<b>HOUSING</b>	NEMA-style enclosure for installation with power supply; overall housing dimensions: 10.5" x 7.5" x 2.7"
<b>CONNECTORS</b>	Screw terminal or RJ45 data input and output connectors; screw terminal power output connectors
<b>DATA INTERFACE</b>	DMX512 (RS485) compatible
<b>LISTINGS</b>	UL listed



**ITEM# 109-000007-00**

FOR USE UNDER U.S. PATENTS 6,016,038 AND 6,150,774  
OTHER PATENTS PENDING

©2001-2002 Color Kinetics Incorporated. All rights reserved.  
Chromacore, Color Kinetics, the Color Kinetics logo, ColorBlast, ColorPlay, iColor, iPlayer, and Smartjuice are registered trademarks, and ColorScape, iColor Cove, and QuickPlay are trademarks of Color Kinetics Incorporated..

All other brand or product names are trademarks or registered trademarks of their respective owners.

BR0075 Rev 01

Specifications subject to change without notice.

**WARNING:** The power must be OFF before installing or removing the product.

## SOURCE LIFE

Color Kinetics illumination products utilize high brightness LEDs as the illumination source. LED manufacturers predict LED life of up to 100,000 hours MTBF (mean time between failure), the standard used by conventional lamp manufacturers to measure source life. However, like all basic light sources, LEDs also experience lumen depreciation over time. So while LEDs can emit light for an extremely long period of time, MTBF is not the only consideration in determining useful life. LED lumen depreciation is affected by numerous environmental conditions such as ambient temperature, humidity and ventilation. Lumen depreciation is also affected by means of control, thermal management, current levels, and a host of other electrical design considerations.

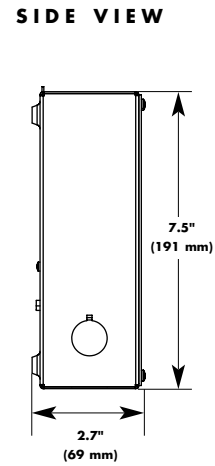
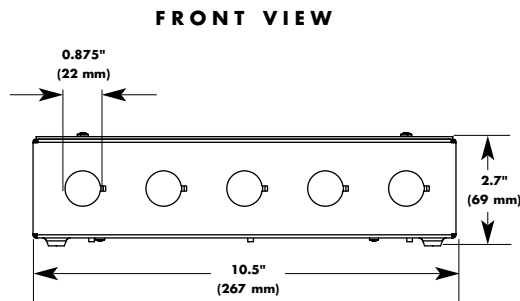
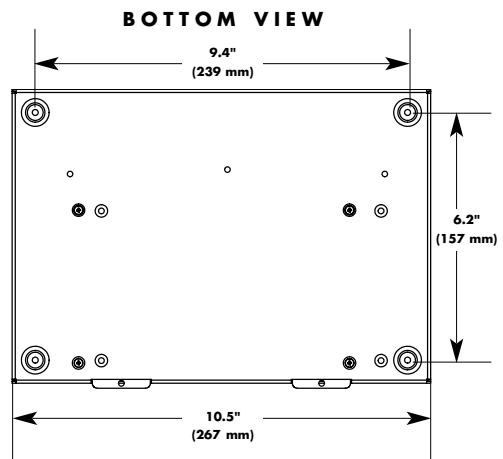
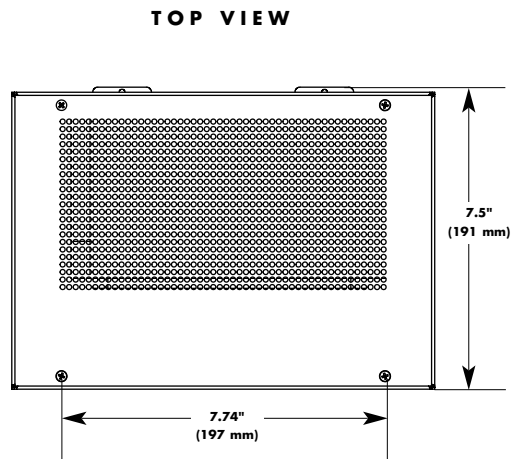
Color Kinetics systems are expertly engineered to optimize LED life when used under normal operating conditions [ambient temperature: -4° F to 104° F (-20° C to 40° C), humidity: 0-95% non-condensing humidity, adequate ventilation and air volume] and when operated using typical color-changing effects. Long-term operation outside of these ranges or conditions, or at the upper limits of these ranges or conditions, may subject the product to further degradation of the LED source life, or in extreme cases, failure of internal components. Source life information is based on LED manufacturers' data, as well as other third party testing.

## U.S. AND FOREIGN PATENTS AND PATENTS PENDING

Color Kinetics Incorporated grants the purchaser of its lighting products and controllers a personal and non-transferable license to use Chromacore®, its patented technology for networkable control of LED-based color-changing lighting fixtures for illumination, display and design. This license is granted only by Color Kinetics Incorporated, and may not be transferred except by the grantor. The design, duplication, manufacture, or sale of other products using networkable control of LED-based color-changing lighting may be prohibited and is not licensed hereunder. Other patents pending.

**sMOPS-150**

PHYSICAL DIMENSIONS



<b>sMOPS-150</b>	
<b>ITEM # 109-000007-00</b>	
<b>WEIGHT</b>	5lbs 3oz (2.4kg)
<b>DATA CONNECTOR</b>	Input and output via RJ45 or screw terminals
<b>POWER CONNECTOR</b>	Screw terminals

# sMOPS-150

## WIRING DIAGRAM

