



Date: _____ Type: _____

Firm Name: _____

Project: _____

iW Profile g2

50° x 50° Beam Angle

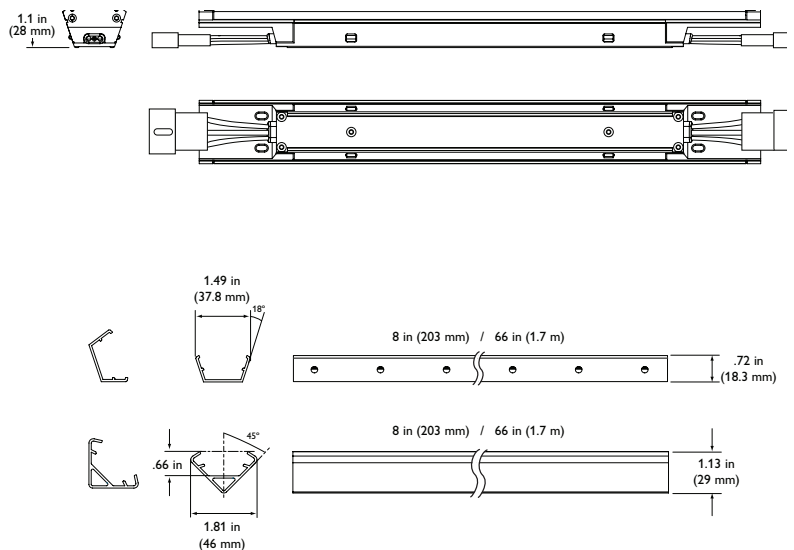
Intelligent, high-intensity linear white light for interior displays and task areas

iW® Profile g2 is a low-profile grazing fixture offering high-intensity, intelligent white light with advanced optics and LEDs. Available with three different beam angles to meet diverse application demands, iW Profile g2 provides independently adjustable brightness and color temperature from 3000 K – 6500 K. Its linear design, high quality of light, and superior fixture-to-fixture color consistency is well suited for interior display, under-cabinet, task, and cove lighting for museums, exhibits, retail, hospitality, and architectural applications.

- Variable color temperature and brightness — Channels of warm and cool white LEDs produce color temperatures ranging from 3000 K – 6500 K. Intelligently adjust color temperature and fixture brightness independently.
- Versatile optics — iW Profile g2 meets diverse application demands with three different beam angles: narrow (10° x 100°), medium (50° x 50°), and forward-throw asymmetric (20° x 40° x 100°).

- High-intensity, consistent white light — iW Profile g2 offers output of high-quality white light at over 100 lumens per foot. Optibin® ensures optimal color consistency from fixture to fixture and run to run.
- Flexible mounting and positioning — End-to-end locking power connectors can make 180° turns for easy positioning in even the most challenging mounting circumstances. Optional 1 ft (305 mm), 2 ft (1.2 m), and 4 ft (2.4 m) Jumper Cables add extra space between fixtures if necessary. Mounting track allows for 0°, 45°, or 60° fixture aiming.
- Suitable for indoor and damp locations — iW Profile g2 is IP50-rated for reliable operation in dry and damp locations.

For detailed product information, please refer to the iW Profile g2 Product Guide at www.colorkinetics.com/lis/intelliwhite/iwprofileg2/



Specifications

Due to continuous improvements and innovations, specifications may change without notice.

Item	Specification	Details
Output	Beam Angle	50° x 50°
	Lumens†	173
	Color Temperature	3000 K – 6500 K
	Efficacy (lm/W)	11.5
	CRI	82 all, 69 warm, 84 cool
	Mixing Distance	3.5 in (89 mm) to uniform light
	Lumen Maintenance‡	40,000+ hours L70 @ 50° C
Electrical	Input Voltage	24 VDC
	Power Consumption	15 W maximum at full output, steady state
Control	Interface	iW PDS-60 or iW PDS-150
	Control System	iW Scene Controller
Physical	Dimensions (Height x Width x Depth)	1.1 x 12 x 1.4 in (28 x 305 x 35 mm)
	Weight	10.8 oz (305 g)
	Housing	Aluminum with enamel finish
	Lens	Soft-focus polycarbonate
	Fixture Connections	50 ft (15 m) unified power / data cable
	Operating Temperature	-40° – 122° F (-40° – 50° C) Operating -4° – 122° F (-20° – 50° C) Startup
	Humidity	0 – 95%, non-condensing
	Max. Fixtures Per Power / Data Supply	iW PDS-60: 4 (2 per power port) iW PDS-150: 10 (5 per power port, 2 ports max.)
	Certification and Safety	Certification: UL / cUL, CE, PSE LED Class: Class 2 LED product Environment: Dry / Damp Location, IP50

† Lumens measurement complies with IES LM-79-08



‡ L70 = 70% maintenance of lumen output (when light output drops below 70% of initial output). Ambient temperature specified.



Fixtures and Accessories

Item	Type	Item Number	Philips 12NC
iW Profile g2	10° x 100°	501-000010-01	910503700187
	50° x 50°	501-000010-00	910503700186
	20° x 40° x 100°	501-000010-02	910503700188
Leader Cable	50 ft (15 m)	108-000023-00	910503700082
Jumper Cables	1 ft (305 mm)	108-000024-00	910503700083
	4 ft (1.2 m)	108-000024-01	910503700084
	8 ft (2.4 m)	108-000024-02	910503700085
45° Mounting Track	5.5 ft (1.7 m)	501-000006-00	910503700184
0° / 60° Mounting Track	5.5 ft (1.7 m)	501-000006-01	910503700185
iW PDS-60		509-000002-00	910503700192
iW PDS-150		509-000001-00	910503700191
iW Scene Controller		503-000001-00	910503700189

Use Item Number when ordering in North America.

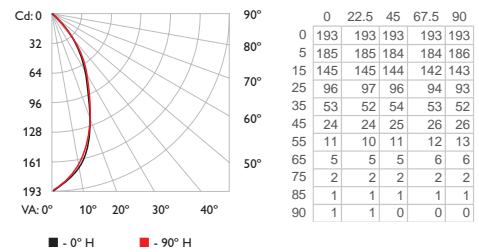


Philips Color Kinetics
3 Burlington Woods Drive
Burlington, Massachusetts 01803 USA
Tel 888.385.5742
Tel 617.423.9999
Fax 617.423.9998
www.colorkinetics.com

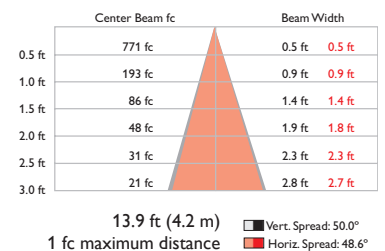
Photometrics

50° x 50° (medium)

Polar Candela Distribution



Illuminance at Distance



Power Consumption	15 W
Lumens	173
Efficacy	11.5 lm/W

For lux multiply fc by 10.7

iW Profile g2 fixtures are part of a complete system which includes fixtures and:

- One or more power / data supplies
- One Leader Cable to connect each series of fixtures to a power / data supply output
- (Optional) Jumper Cables to add space between fixtures
- Mounting track
- One or more iW Scene Controllers

For detailed product information, please refer to the iW Profile g2 Product Guide at www.colorkinetics.com/ls/intelliwhite/iwprofileg2/

Copyright © 2009 Philips Solid-State Lighting Solutions, Inc. All rights reserved. Chromacore, Chromasic, CK, the CK logo, Color Kinetics, the Color Kinetics logo, ColorBlast, ColorBlaze, ColorBurst, ColorGraze, ColorPlay, ColorReach, DIMand, EssentialWhite, eW, iColor, iColor Cove, IntelliWhite, iW, iPlayer, Light Without Limits, Optibin, and Powercore are either registered trademarks or trademarks of Philips Solid-State Lighting Solutions, Inc. in the United States and/or other countries. All other brand or product names are trademarks or registered trademarks of their respective owners. Due to continuous improvements and innovations, specifications may change without notice.

DAS-000042-02 R00 12-09