



Date: _____ Type: _____

Firm Name: _____

Project: _____

iW Fuse Powercore

30° × 60° Beam Angle

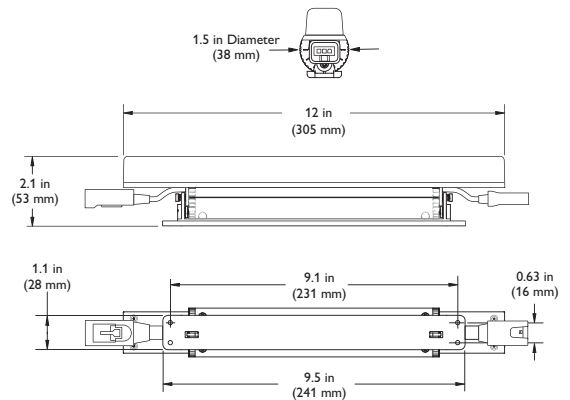
Ultra-compact intelligent white light LED grazing fixture

With narrow and medium beams of high-quality intelligent white light, iW Fuse Powercore is an excellent choice for a full range of surface grazing, wall-washing, and accent lighting applications. Its ultra-compact form factor permits installation in tight spaces too small to accommodate conventional grazing fixtures that offer similar level and distribution of light. With three channels of warm, neutral, and cool LED sources, this compact, versatile fixture offers a color temperature range of 2700 K to 6500 K. iW Fuse Powercore combines high-intensity, professional-grade light output with the efficiency and cost-effectiveness provided by Powercore technology.

- Intense light output — iW Fuse Powercore high-performance grazing fixtures deliver professional-grade illuminance with total light output of over 600 lumens per foot.
- Universal power input range — iW Fuse Powercore accepts power input of 100 – 240 VAC. Depending on input voltage, a single Data Enabler Pro can support up to 107 fixtures installed end-to-end in a single run.
- Integrates Powercore technology — Powercore technology rapidly, efficiently, and accurately controls power output to iW Fuse Powercore fixtures directly from line voltage. The Philips Data Enabler Pro merges line voltage with control and delivers them to the fixture over a single standard cable, dramatically simplifying installation and lowering total system cost.
- Superior color consistency — Optibin, a proprietary binning optimization process developed by Philips Color Kinetics, guarantees consistency of hue across LEDs, fixtures, and manufacturing runs.
- High-performance illumination in a wide range of color temperatures — Channels of warm, neutral, and cool white LEDs produce color temperatures ranging from 2700 K to 6500 K. iW Fuse Powercore offers the

greatest possible light intensity at all color temperatures. Fixture brightness can be varied while maintaining constant color temperature.

- Industry-leading controls — iW Fuse Powercore works seamlessly with the complete Philips line of controllers, including Light System Manager, iPlayer 3, and ColorDial Pro, as well as third-party controllers.
- Easy installation — By delivering line voltage directly to the fixtures, Powercore reduces the number of external power supplies, allowing long product runs and eliminating the need for special wiring. Easy-to-install 4 ft (1.2 m) mounting tracks allow quick project setup in linear applications.



- Flexible mounting and positioning — With end-to-end locking power connectors that can make 180° turns, these compact 12 in (305 mm) grazing fixtures are easy to position in even the most challenging mounting circumstances. 1 ft (305 mm) and 5 ft (1.5 m) jumper cables can add extra space between fixtures. Optional mounting tracks support vertical and overhead positioning.

For detailed product information, please refer to the iW Fuse Powercore Product Guide at www.colorkinetics.com/ls/intelliwhite/iwfusepc/



Specifications

Due to continuous improvements and innovations, specifications may change without notice.

Item	Specification	10° x 60° beam angle (narrow)
Output	Lumens†	636 (all channels full on)
	Efficacy (lm / W)	38.8 (all channels full on)
	CRI	81 (all channels full on)
	Color Temperature*	2700 K – 6500 K
	LED Channels	2700 K / 4000 K / 6500 K
	Lumen Maintenance‡	50,000 hours L70 @ 25° C 50,000 hours L70 @ 50° C 50,000 hours L50 @ 25° C 50,000 hours L50 @ 50° C
Electrical	Input Voltage	100 – 240 VAC, auto-switching, 50 / 60 Hz
	Power Consumption	12.5 W maximum at full output, steady state
Control	Interface	Data Enabler Pro (DMX / Ethernet) Fixture firmware addressable 8- or 16-bit control
	Control System	Philips full range of controllers, including Light System Manager, iPlayer 3, and ColorDial Pro, or third-party controllers
Physical	Dimensions (Height x Width x Depth)	1.1 x 12 x 2.1 in (28 x 305 x 53 mm)
	Weight	0.98 lbs (.45 kg)
	Housing	Die-cast aluminium, white powder-coated finish.
	Lens	Polycarbonate
	Fixture Connections	Integral male / female connectors
	Temperature Ranges	-4° – 122° F (-20° – 50° C) Operating -4° – 122° F (-20° – 50° C) Startup -40° – 176° F (-40° – 80° C) Storage
	Humidity	0 – 95%, non-condensing
Certification and Safety	Certification	UL / cUL, FCC, CE, CCC
	Environment	Dry / Damp Location, IP20
	Fixture Run Lengths Per Data Enabler Pro§	47 @ 100 VAC Example configuration: 58 @ 110 VAC Fixtures installed end-to-end, 102 @ 220 VAC 20 A circuit, standard 10 ft (3.1 m) 107 @ 240 VAC Leader Cable

* Color temperatures conform to nominal CCTs as defined in ANSI Chromaticity Standard C78.377A.



† Lumen measurement complies with IES LM-79-08 testing procedures.

‡ L70 = 70% maintenance of lumen output (when light output drops below 70% of initial output).

L50 = 50% maintenance of lumen output (when light output drops below 50% of initial output).

Ambient temperatures specified. Based on measurements that comply with IES LM-80-08 testing procedures. Refer to www.colorkinetics.com/support/appnotes/lm-80-08.pdf for more information.

§ These figures, provided as a guideline, are accurate for this configuration only. Changing the configuration can affect the fixture run lengths.

Fixtures and Data Enabler Pro

Item	Type	Item Number	Philips 12NC
iW Fuse Powercore	10° x 60°	UL / cUL / CE	523-000066-00 910503701785
		CCC	523-000066-02 910503701995
	30° x 60°	UL / cUL / CE	523-000066-01 910503701786
		CCC	523-000066-03 910503701996
Data Enabler Pro	3/4 in / 1/2 in NPT (US trade size conduit)	106-000004-00	910503701210
	PG21 / PG13 (metric size conduit)	106-000004-01	910503701211

Use Item Number when ordering in North America.

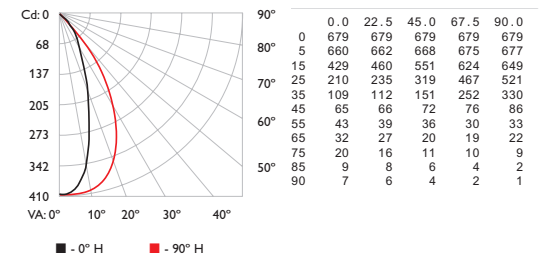


Philips Color Kinetics
3 Burlington Woods Drive
Burlington, Massachusetts 01803 USA
Tel 888.385.5742
Tel 617.423.9999
Fax 617.423.9998
www.philipscolorkinetics.com

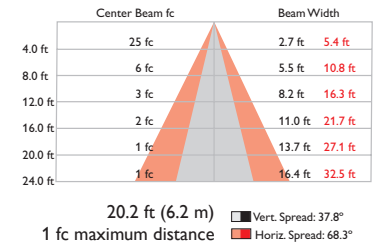
Photometrics

30° x 60° beam angle (all channels full on)

Polar Candela Distribution



Illuminance at Distance



Lumens	636
Efficacy	38.8

For lux multiply fc by 10.7

* For additional photometrics, please refer to the iW Fuse Powercore Product Guide at www.colorkinetics.com/Is/intelliwhite/iwfusep/

Accessories

Item	Type	Item Number	Philips 12NC
Mounting Track, White	1 @ 4 ft (1219 mm)	120-000124-00	910503701787
Leader Cable with Terminator	10 ft (3.1 m)	UL / cUL	108-000050-00 910503701686
		CE / CCC	108-000050-01 910503701687
Jumper Cable	1 ft (305 mm)	UL / cUL	108-000049-01 910503701683
		CE / CCC	108-000049-03 910503701685
	5 ft (1.5 m)	UL / cUL	108-000049-00 910503701682
		CE / CCC	108-000049-02 910503701684
Wiring Compartment with Terminator	UL / cUL	120-000077-02	910503701740
Terminator, Quantity 10		120-000058-00	910503700146

Use Item Number when ordering in North America.

Copyright © 2011 Philips Solid-State Lighting Solutions, Inc. All rights reserved. Chromacore, Chromasic, CK, the CK logo, Color Kinetics, the Color Kinetics logo, ColorBlast, ColorBlaze, ColorBurst, ColorGraze, ColorPlay, ColorReach, iW Reach, eW Reach, eW Fuse, DIMand, EssentialWhite, eW, iColor, iColor Cove, IntelliWhite, iW, iPlayer, Optibin, and Powercore are either registered trademarks or trademarks of Philips Solid-State Lighting Solutions, Inc. in the United States and / or other countries. All other brand or product names are trademarks or registered trademarks of their respective owners. Due to continuous improvements and innovations, specifications may change without notice. DAS-000080-02 R00 06-11