

## iW PDS-60

An IntelliWhite™ Product



Color Kinetics® iW™ PDS-60 is an intelligent power/data supply designed for use with select IntelliWhite™ color temperature controllable fixtures. iW PDS-60 features zone control, the setting of one or multiple fixtures into one unique group of light(s). When used in conjunction with IntelliWhite controllers, varying color temperature and brightness control can be achieved at the push of a button.

Push buttons on the front panel of the iW PDS-60 allow you to select the zone for each power/data supply, thus eliminating the need for additional addressing tools. The selected zone is visible on the LED panel located on the front panel.

iW PDS-60 provides a robust 62W power source and intelligent white light data drive circuitry that provides up to 15 zone settings. This data circuitry conditions the data supplied from Color Kinetics IntelliWhite controllers, including iW Scene Controller, to a format compatible with the fixtures. This integration of power and data simplifies wiring installation.

iW PDS-60 is housed in a compact enclosure designed for use in dry locations and complies with National Electrical Code (NEC) requirements. The data drive circuitry has been specifically designed with short circuit protection to prevent failures due to incorrect wiring/installation.

iW PDS-60 automatically accommodates supply voltages ranging from 100VAC to 240VAC using a standard IEC cable. All product and data connections are made to the external panels to shorten installation time. Light fixtures are hard-wired to 3-conductor locking connectors for easy fixture disconnection and reconnection to output terminals. RJ45 data input and output connectors let you daisy-chain zone data from one power/data supply to another.

### FEATURES

- Economical
- Compact size
- Ease of installation
- Compatible with iW Scene Controller
- Robust 62W power source
- Status LEDs to indicate data flow in and out of the power/data supply
- Indoor rated

### iW PDS-60 SPECIFICATIONS

<b>POWER INPUT</b>	100-240VAC (auto ranging) 50-60Hz
<b>MAX CURRENT</b>	1.7A at 100V, 1.5A at 120V, .75A at 240V Power factor correction (PFC)
<b>POWER OUTPUT</b>	24VDC (62W Max.)
<b>HEAT DISSIPATION</b>	25 percent of total power input
<b>AMBIENT OPERATING TEMP</b>	14°F to 122°F (-10°C to 50°C)
<b>HOUSING</b>	Overall dimensions: 8.8" (22.4 cm) X 4" (10.2 cm) X 2" (5.1 cm) Weight: 2.0 lbs (907 g)
<b>CONNECTORS</b>	RJ45 data input and output connectors 4-pin controller connector 3-pin power output connectors Line Voltage IEC Inlet
<b>DATA INPUT INTERFACE</b>	Zone Control Network
<b>DATA OUTPUT INTERFACE</b>	Zone Control Network
<b>CLASSIFICATION</b>	Class 2
<b>LISTINGS</b>	UL/cUL, CE



ITEM# 509-000002-00

For use under one or more of the following patents: U.S. Patent Nos. 6,016,038, 6,150,774 and other patents listed at <http://colorkinetics.com/patents/>. Other patents pending.

©2005-2006 Color Kinetics Incorporated. All rights reserved. Chromacore, Chromasic, CK, the CK logo, Color Kinetics, the Color Kinetics logo, Color Kinetics The Leader in Intelligent Light, ColorBlast, ColorBlaze, ColorBurst, ColorCast, ColorPlay, ColorScape, DIMand, Direct Light, EssentialWhite, eW, iColor, iColor Cove, IntelliWhite, iW, iPlayer, Light Without Limits, Optibin, Powercore, QuickPlay, Sauce, the Sauce logo, and Smartjuice are either registered trademarks or trademarks of Color Kinetics Incorporated in the United States and/or other countries.

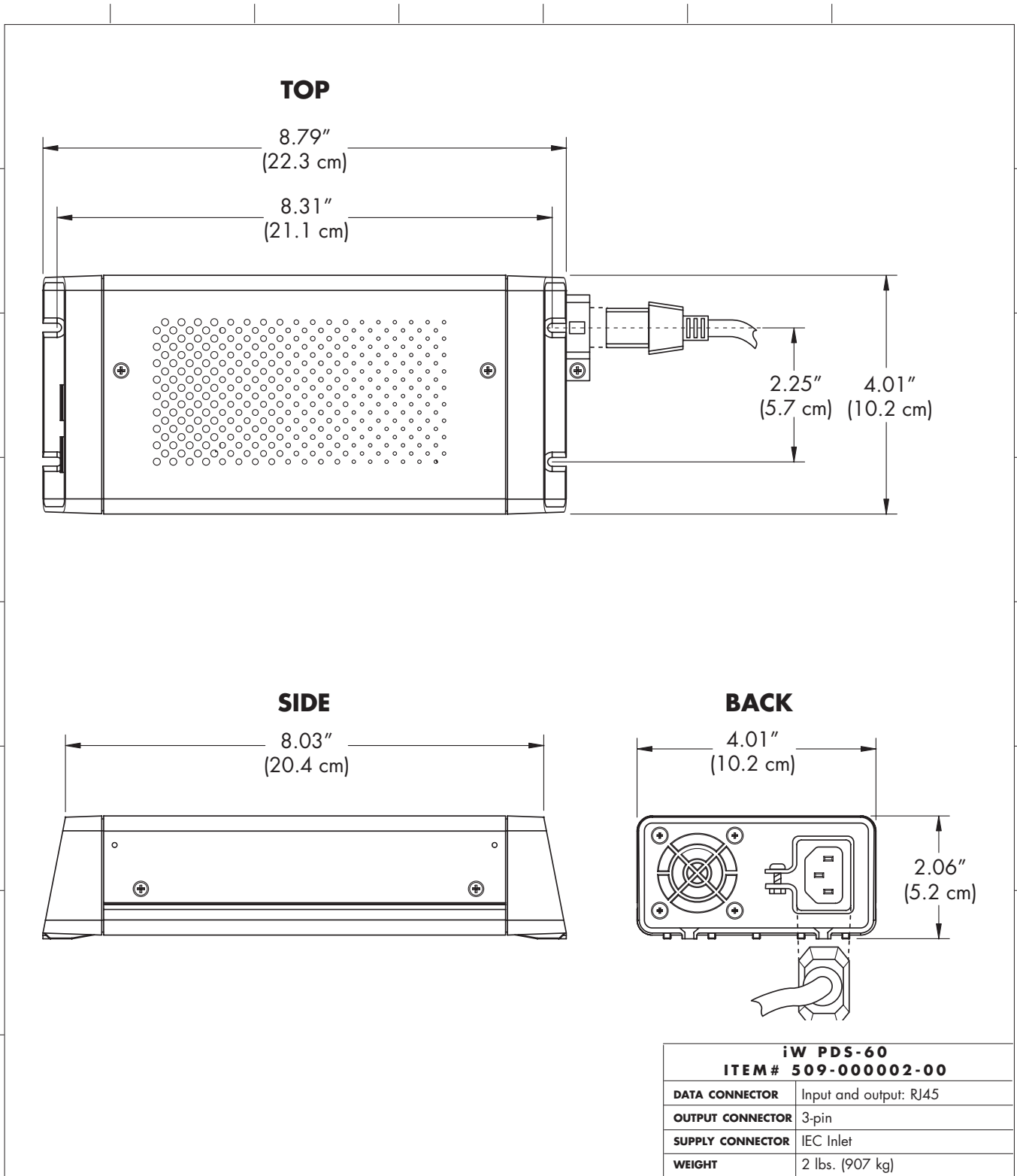
All other brand or product names are trademarks or registered trademarks of their respective owners.

BR0177 Rev 01

Specifications subject to change without notice. Refer to [www.colorkinetics.com](http://www.colorkinetics.com) for the most recent version.

**iW PDS-60**

PHYSICAL DIMENSIONS



# iW PDS-60

## FUNCTIONAL FLOW DIAGRAM

