

iW DATA ENABLER

An IntelliWhite Product™

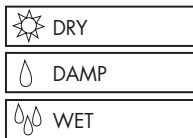


iW Data Enabler is a data formatting device specifically designed for use with IntelliWhite™ color temperature controllable fixtures featuring Powercore® digital power processing technology. iW Data Enabler offers the capability of setting one or multiple fixtures into one unique group of light(s) and provides up to 15 zone settings. When used in conjunction with IntelliWhite controllers, varying color temperature and brightness control can be achieved at the push of a button.

iW Data Enabler's data drivers condition data supplied from iW controllers to a format compatible with the IntelliWhite Powercore fixtures. This integration of power and data simplifies wiring installations.

iW Data Enabler automatically accommodates a universal supply voltage ranging from 100-240VAC, 50/60 Hz where the maximum connected load does not exceed 20 Amps. The input and output line voltage connections are made to terminal blocks. The iW Controller plugs into a dedicated terminal block. Data can be daisy chained between multiple iW Data Enablers using the RJ45 terminals.

iW Data Enabler is housed in a compact NEMA 4 (IP66) enclosure designed for use in wet locations. It complies with National Electrical Code (NEC) requirements. Each Data Enabler features multiple conduit entries sized for 3/4-inch NPT 59/64" conduit.



ITEM# 506-000001-00

For use under one or more of the following patents: U.S. Patent Nos. 6,016,038, 6,150,774 and other patents listed at <http://colorkinetics.com/patents/>. Other patents pending.

©2004-2006 Color Kinetics Incorporated. All rights reserved. Chromacore, Chromasic, CK, the CK logo, Color Kinetics, the Color Kinetics logo, Color Kinetics The Leader in Intelligent Light, ColorBlast, ColorBlaze, ColorBurst, ColorCast, ColorPlay, ColorScape, DIMand, Direct Light, EssentialWhite, eW, iColor, iColor Cove, IntelliWhite, iW, iPlayer, Light Without Limits, Optibin, Powercore, QuickPlay, Sauce, the Sauce logo, and Smartjuice are either registered trademarks or trademarks of Color Kinetics Incorporated in the United States and/or other countries.

BR0147 Rev 02

Specifications subject to change without notice. Refer to www.colorkinetics.com for the most recent version.

FEATURES

- Economical
- Compact size
- Ease of installation
- Wet/damp NEMA 4 housing

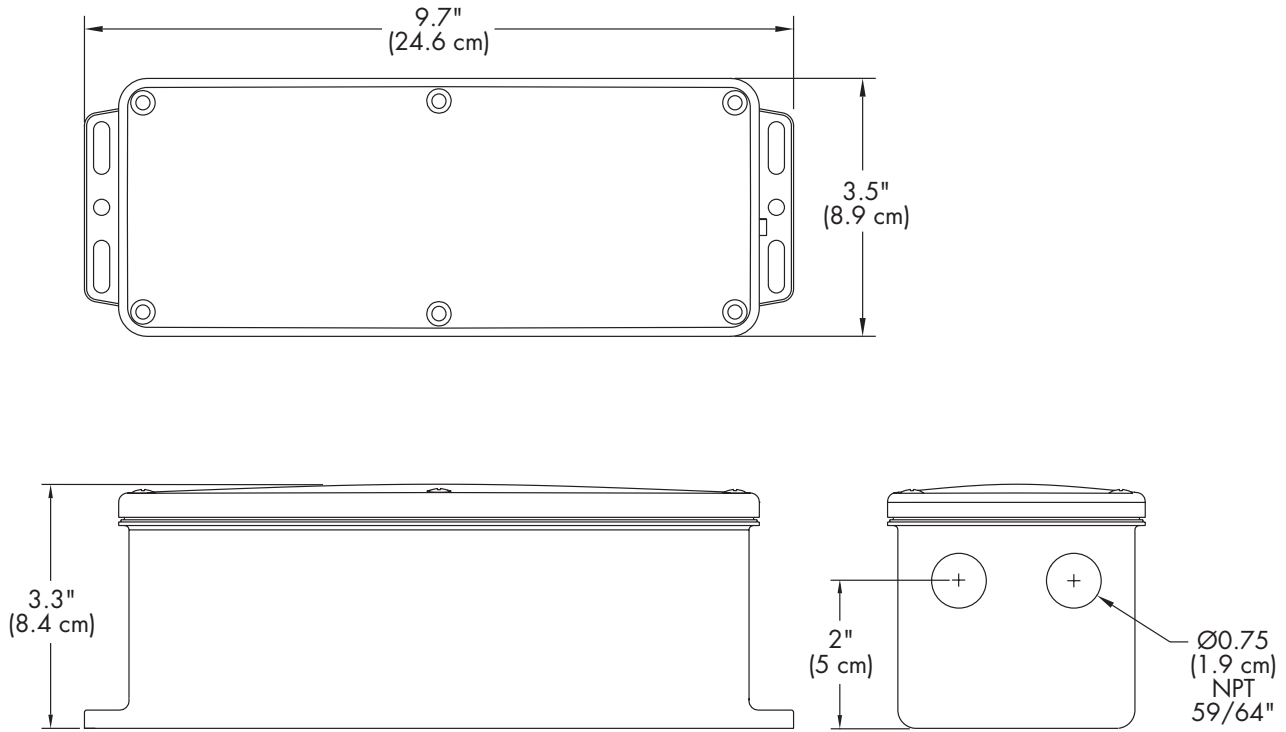
DATA ENABLER SPECIFICATIONS

POWER INPUT	100-240VAC, 50-60 Hz Max. connected load should not exceed 20 Amps
INTERNAL LOAD	10 Watts
HEAT DISSIPATION	10 Watts Max.
AMBIENT OPERATING TEMP	-4°F to 122°F (-20°C to 50°C)
HOUSING	NEMA 4 enclosure: 9.7" (24.6 cm) x 3.5" (8.9 cm) x 3.2" (8.1 cm)
CONNECTORS	Power In: 3-wire terminal block connector Power/Data Out: 4-wire terminal block connector
DATA INPUT INTERFACE	Color Kinetics line of iW controllers
PROTECTION RATING	IP66
CLASSIFICATION	Class 1
LISTINGS	UL/cUL, CE

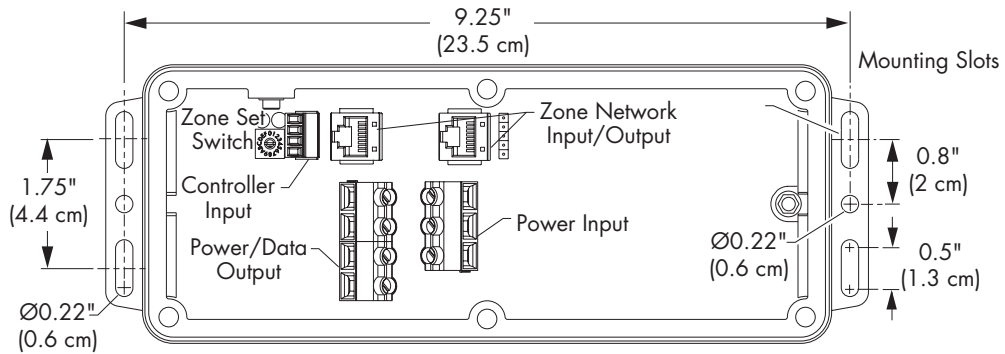
iW DATA ENABLER

PHYSICAL DIMENSIONS

OVERALL DIMENSIONS



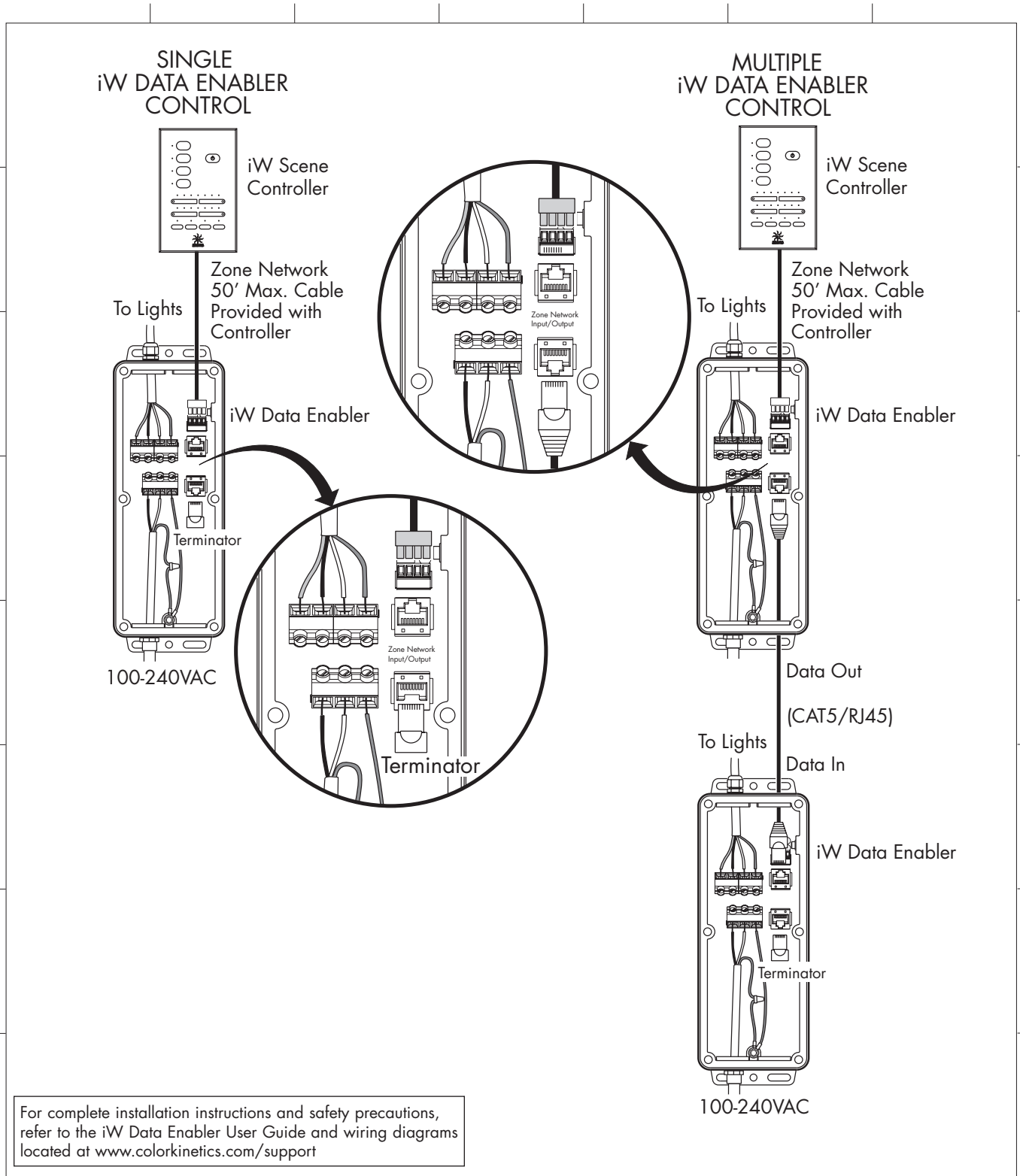
MOUNTING DIMENSIONS



iW DATA ENABLER ITEM # 506-000001	
DATA CONNECTOR	Input and output: RJ45
OUTPUT CONNECTOR	4-pin terminal block
SUPPLY CONNECTOR	3-pin terminal block
WEIGHT	Approx. 2.5 lbs. (2 kg)

iW DATA ENABLER

FUNCTIONAL FLOW DIAGRAM



For complete installation instructions and safety precautions, refer to the iW Data Enabler User Guide and wiring diagrams located at www.colorkinetics.com/support