

iW Blast 12 TR

CK INTELLIGENT SERIES

Preliminary



The iW™ Blast 12 TR fixture is an IntelliWhite™ product with variable color temperature designed for stage and set lighting in the touring/rental, film, and television markets. iW Blast 12 TR uses Chromacore® technology to produce high-quality white light with an adjustable temperature range of 2700 K to 6500 K. Intensity can be adjusted while the color temperature is maintained or changed. iW Blast 12 TR uses the tour-tested design of ColorBlast® 12 TR.

- A pivoting bezel for quick lens swaps
- Clear and frosted tempered glass lenses are included
- Power and data are delivered over standard cables with industry-standard 4-pin XLR connectors
- An elastomeric sleeve protects the fixture and lens during setups and teardowns
- An integral safety bracket for tethers and/or carabiner clips
- An industrial-grade, constant-torque hinge allows quick aiming without special tools
- The mounting base allows the unit to be set on the ground, mounted to a weighted base, or mated to a C-clamp for truss mounts
- Optibin® technology ensures high fixture-to-fixture color consistency for predictable stage, studio, and production lighting.

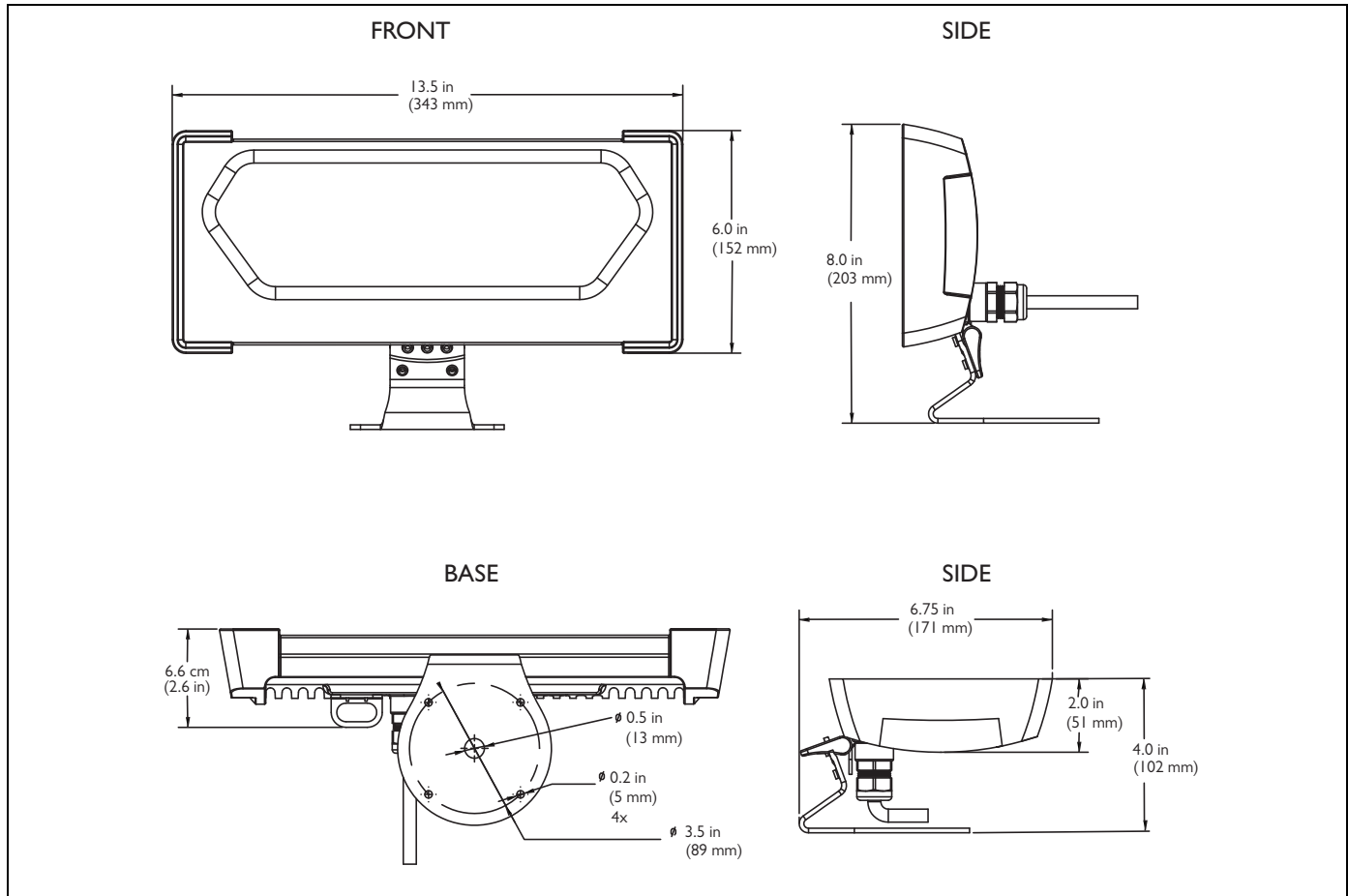
CHROMACORE®
CK TECHNOLOGY

OPTIBIN®
CK TECHNOLOGY



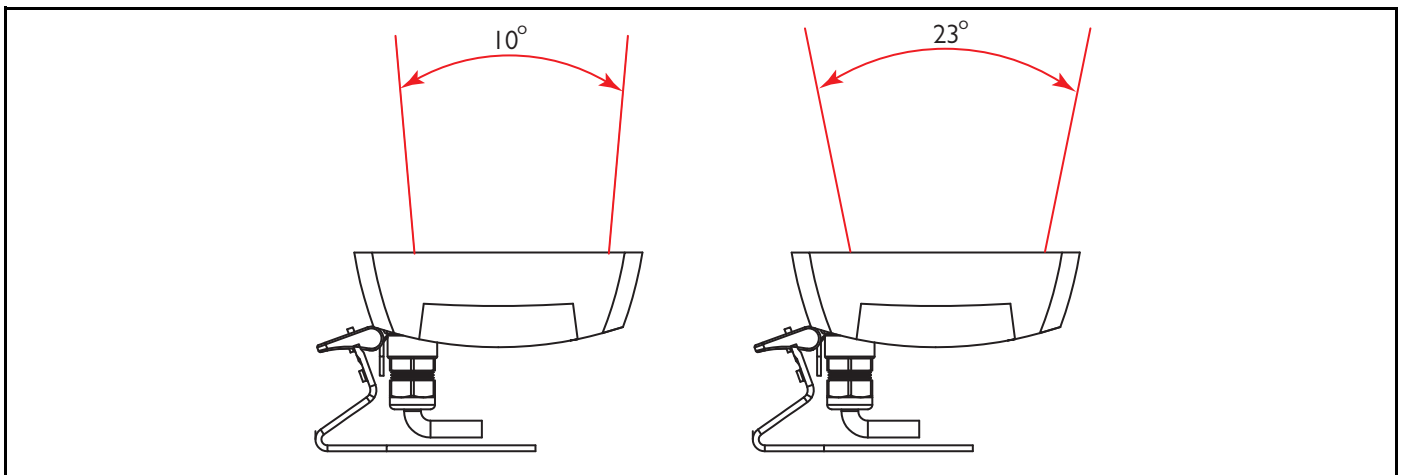
PHILIPS

iW Blast 12 TR Dimensions



iW Blast 12 TR Beam Angles

iW Blast 12 TR is available with symmetric beam angles of 10 and 23 degrees.



iW Blast 12 TR Specifications

Specifications are subject to change without notice.

	iW Blast 12 TR
Fixture Length	13.5 in (343 mm)
Depth	4 in (102 mm)
Fixture Height	6 in (152 mm); with base: 8 in (203 mm)
Weight	5.8 lbs. (2.6 kg), with boot, lens, and cable
Source	High-brightness LEDs
LEDs Per Fixture	36
Color Temperature	2700 K to 6500 K
Total Output	1679 lumens
Efficacy (Lm/W)	33.6
Housing	Die-cast aluminum; black powder-coat finish
Lens	Clear or frosted tempered glass
Beam Angle	10° with clear lens; 23° with frosted lens
Protection Rating	IP60, UL Dry
Power / Data Connector	6 ft (1829 mm) unified power and data cable with 4-pin XLR connector
Listings	UL/CUL, CE
Control	Philips, Color Kinetics, or other DMX512 (RS485) source
Input Voltage	24 VDC from PDS-750 TR power supply (Item# 109-000019-00 / Part # 910503700101)
Power Consumption	50 W maximum, full-intensity, steady state
Temperature Range	-4°F – 122°F (-20°C – 50°C) starting temperature -40°F – 122°F (-40°C – 50°C) operating temperature
Humidity Range	0 – 95% non-condensing
LED Source Life	50,000 hours, based on LED manufacturers' test data

iW Blast 12 TR Ordering Information

Fixture	Item Number	Part Number
iW Blast 12 TR	116-000019-00	910503700129

Spare Parts

These iW Blast 12 TR replacement parts are available.

Item Description	Item Number	Part Number
Protective Boot, Black	120-000062-00	910503700370
iW Blast 12 TR Mounting Base	120-000060-00	910503700369
iW Blast 12 TR Lenses	120-000066-00	910503700367

iW Blast I2 TR — Soft-focus Lens Photometrics

Photometric data in each illustration is based on independent testing lab results. IES data is available at <http://www.colorkinetics.com/support/ies>. The tested fixture had these specifications:

Voltage

Optics

Lens *Data to come later*

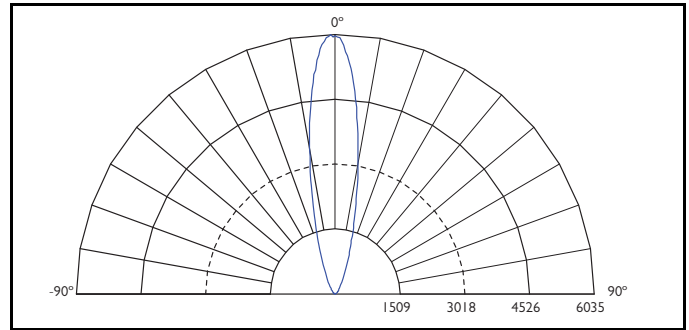
Source

Beam Angle

Distribution

Candle Power Distribution

The dashed line indicates that 3010 candela is 50% of peak.



Illuminance Distribution

This illustration shows the plane x feet from the fixture. Data is in footcandles and (lux).

Illuminance Beam Angle

This illustration shows measurement of the center beam and the fixture's angle. Data is in footcandles and (lux).

Illustrations to come later

iW Blast I2 TR — Clear Lens Photometrics

Photometric data in each illustration is based on independent testing lab results. IES data is available at <http://www.colorkinetics.com/support/ies>. The tested fixture had these specifications:

Voltage

Optics

Lens

Data to come later

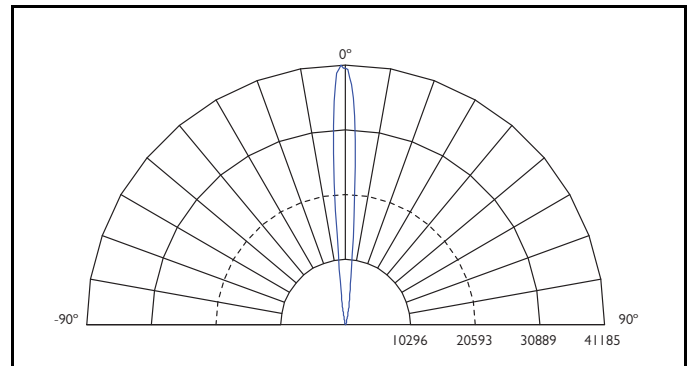
Source

Beam Angle

Distribution

Candle Power Distribution

The dashed line indicates that 20593 candela is 50% of peak.



Illuminance Distribution

This illustration shows the plane x ft (x mm) from the fixture. Data is in footcandles and (lux).

Illuminance Beam Angle

This illustration shows measurement of the center beam and the fixture's angle. Data is in footcandles and (lux).

Illustrations to come later

iW Blast I2 TR Installation Details

Power and Data

Each fixture receives power and data through a dedicated cable from a single port on the PDS-750 TR or PDS-375 TR power/data supply. The power supply has 12 ports.

Mounting

In addition to floor or flat surface mounting, iW Blast I2 TR can be mounted to a pipe or truss with standard theatrical C-clamps, cheeseborough clamps, or Mega-Clamps. The clamp is attached directly to the fixture's mounting base with a 0.5 in (13 mm) bolt. The fixture provides an integral hook for a safety cable.

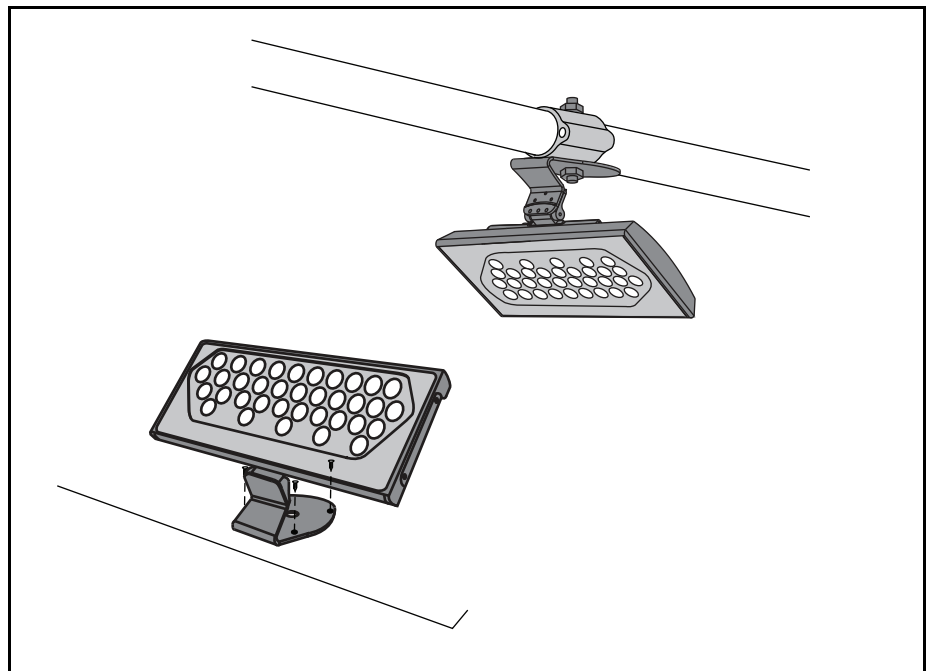


Figure 1: iW Blast I2 TR Mounting Options. Fixtures can be mounted on surfaces, pipes, or trusses.

Lens And Accessory Installation

iW Blast I2 TR comes with two lenses, clear and frosted. The clear lens option projects a 10° beam for long-throw, spot lighting. The frosted lens provides a 23° beam for wash lighting.

The lenses are secured to the fixture by a bezel. The bezel, in turn, is attached with two lock-down screws and is hinged to swing on two pivot screws. Switching lenses is quick: the two lock-down screws are backed out, the bezel pivoted up, lenses switched, and then the bezel is locked down again.

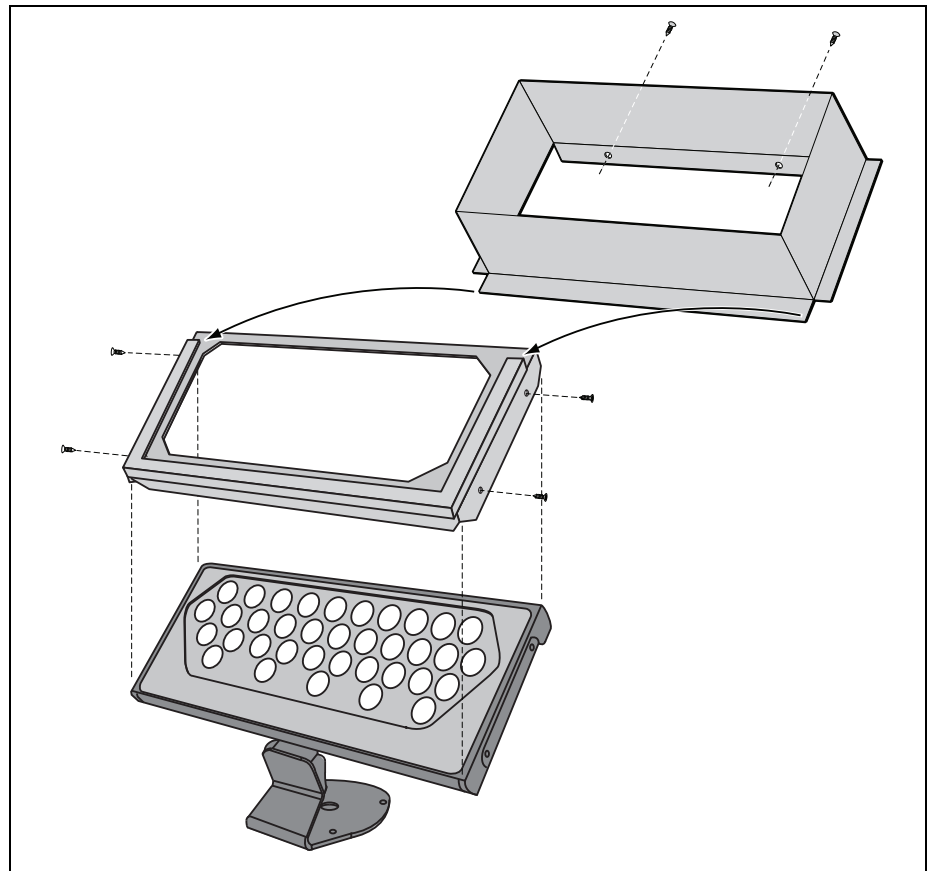


Figure 1: iW Blast 12 TR Accessories. Accessories such as top hats and louvers can be quickly attached to the fixtures.

Accessories such as top hats, egg crate louvers, and barn doors are installed in much the same way, except the bezel is replaced by an accessory holder. It both holds the lens in place and provides mounting points for the accessory.



This product is protected by one or more of the following U.S. patents and their foreign counterparts: 6,016,038; 6,150,774; 6,636,003; 6,788,011; 6,806,659; 6,969,954; 6,975,079; 7,014,336; 7,038,399; 7,186,003; 7,233,115; 7,256,554; and 7,274,160. Other patents pending.

DAS-000012-00 R01 2008-06-12

Copyright © 2008 Philips Solid-State Lighting Solutions, Inc. All rights reserved.

Chromacore, Chromasic, CK, the CK logo, Color Kinetics, the Color Kinetics logo, ColorBlast, ColorBlaze, ColorBurst, ColorCast, ColorGraze, ColorPlay, ColorReach, DIMand, Direct Light, EssentialWhite, eW, iColor, iColor Cove, IntelliWhite, iW, iPlayer, Light Without Limits, Optibin, Powercore, Sauce, the Sauce logo, and Smartjuice are either registered trademarks or trademarks of Philips Solid-State Lighting Solutions, Inc. in the United States and/or other countries.

All other brand or product names are trademarks or registered trademarks of their respective owners.

Philips Solid-State Lighting Solutions, Inc. • 3 Burlington Woods Drive • Burlington, MA 01803 • USA
Tel: 617.423.9999 • Toll Free: 888.385.5742 • Fax: 617.423.9998 • www.colorkinetics.com