



iPLAYER 2



iPlayer 2® is the powerful and compact device designed by Color Kinetics which stores and plays back ColorPlay® shows on Color Kinetics® lights. iPlayer 2 is an innovative controller – as powerful as many traditional rack-mounted DMX control systems but only a fraction of the size and cost. iPlayer 2 has 16MB of flash memory, which can control a full DMX512 universe (170 individual light addresses).

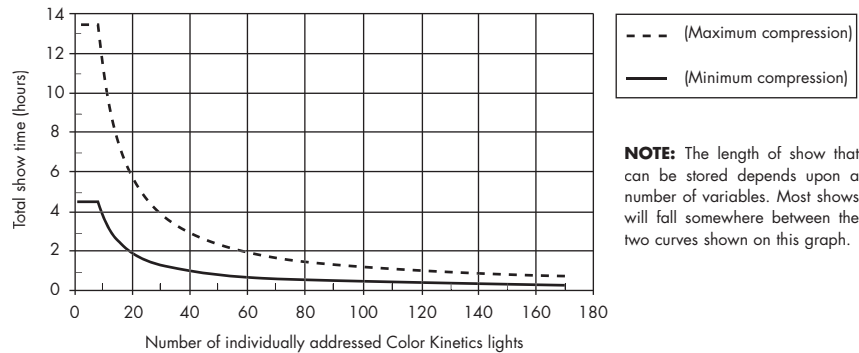
iPlayer 2 is versatile and simple to operate. iPlayer 2 features two autonomous modes of operation: Program Mode and Playback Mode. Program Mode and Playback Mode operate independently due to the unique physical setup of iPlayer 2 required for each. Indicator lights easily identify the operating modes.

Program Mode has two primary functions: recording/storing ColorPlay shows and simulating ColorPlay shows live on an installation, which is useful for editing/testing light shows. After authoring one or many creative light shows in ColorPlay, download the shows to iPlayer 2 using the ColorPlay application software. Refer to the online ColorPlay User Guide and iPlayer 2 User Guide for more detailed instructions on simulating, downloading, trigger assignment and editing.

Playback Mode lets you play the shows stored on iPlayer 2 onto your lights. In Playback Mode iPlayer 2 automatically plays the show assigned to Trigger 1. Put iPlayer 2 into Program Mode to change shows and assign a new show to Trigger 1. Using external controller interfaces, such as the Controller Keypad and many popular architectural controllers, lets you select from multiple shows.

The graph below is provided as a general guideline for determining the iPlayer 2 memory required for different ColorPlay shows saved at 40 frames per second. Capacity is dependent on the number of light addresses and ColorPlay show complexity and duration. iPlayer 2 can store over a hundred small, simple shows or a few large, complex shows.

iPlayer 2 capacity at 40 frames per second



NOTE: The length of show that can be stored depends upon a number of variables. Most shows will fall somewhere between the two curves shown on this graph.

iPlayer 2 comes with Installation CD which contains: the device driver, required for your computer to communicate with iPlayer 2, and QuickPlay, a live demonstration tool used to display different light effects. iPlayer 2 is also offered bundled with ColorPlay authoring software.

PRODUCT SPECIFICATIONS

HOUSING Enclosed ABS, flame retardant, UL94 V-O plastic housing

ENVIRONMENTAL SPECIFICATIONS

TEMPERATURE RANGE -4°F to 122°F (-20°C to 50°C)

HUMIDITY RANGE 0 to 95% non-condensing humidity; not for use in wet locations

COMMUNICATIONS SPECIFICATIONS

DOWNLOAD INTERFACE USB

PLAYBACK INTERFACE DMX512 (RS485)

EXTERNAL INTERFACES Controller Keypad (ITEM# 103-000009-00)
Dry contact switch closures via the expansion port
Popular third party interfaces via RS-232 serial port, such as Lutron's Grafik Eye and Homeworks Interactive and Vantage Controls

ELECTRICAL SPECIFICATIONS

POWER INPUT 24VDC

POWER SUPPLY PS-60 (ITEM# 109-000001-00)

PDS-150e (ITEM# 109-000008-01)

PDS-500e/PDS-500e-277 (ITEM# 109-000009-00/109-000009-01)

ITEM# 103-000007-00
103-000007-01 (with ColorPlay)

This product is protected by one or more of the following patents:
U.S. Patent Nos. 6,016,038, 6,150,774 and other patents listed at <http://colorkinetics.com/patents/>.
Other patents pending.

©2002-2005 Color Kinetics Incorporated. All rights reserved.
Chromacore, Chromasic, Color Kinetics, the Color Kinetics logo, ColorBlast, ColorBlaze, ColorBurst, ColorCast, ColorPlay, ColorScape, Direct Light, iColor, iColor Cove, iPlayer, Optibin, QuickPlay, Sauce, the Sauce logo, and Smartjuice are registered trademarks and DIMand, IntelliWhite, Powercore, and Video With Light are trademarks of Color Kinetics Incorporated.

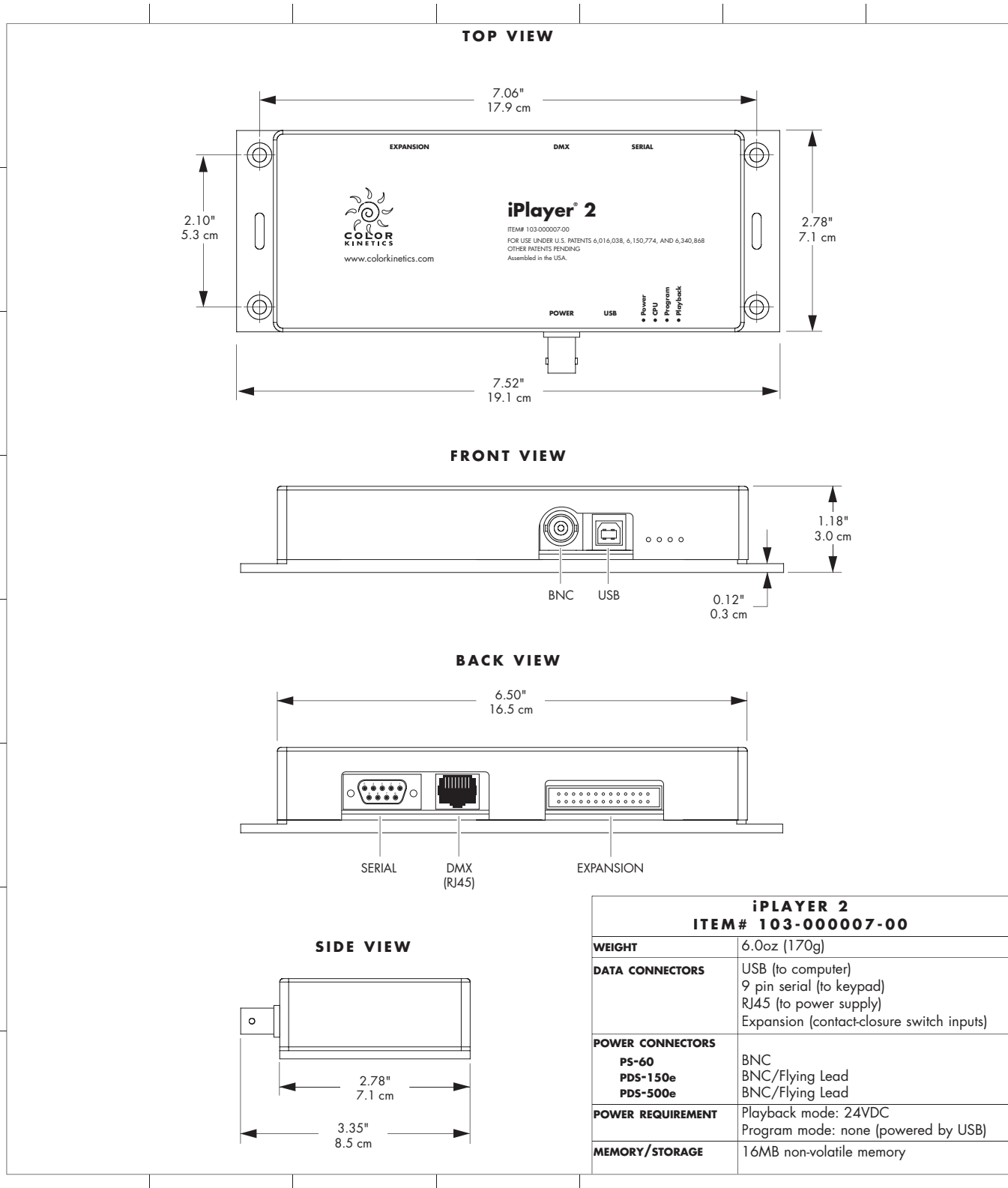
All other brand or product names are trademarks or registered trademarks of their respective owners.

BR0078 Rev 12

Specifications subject to change without notice.

iPLAYER 2

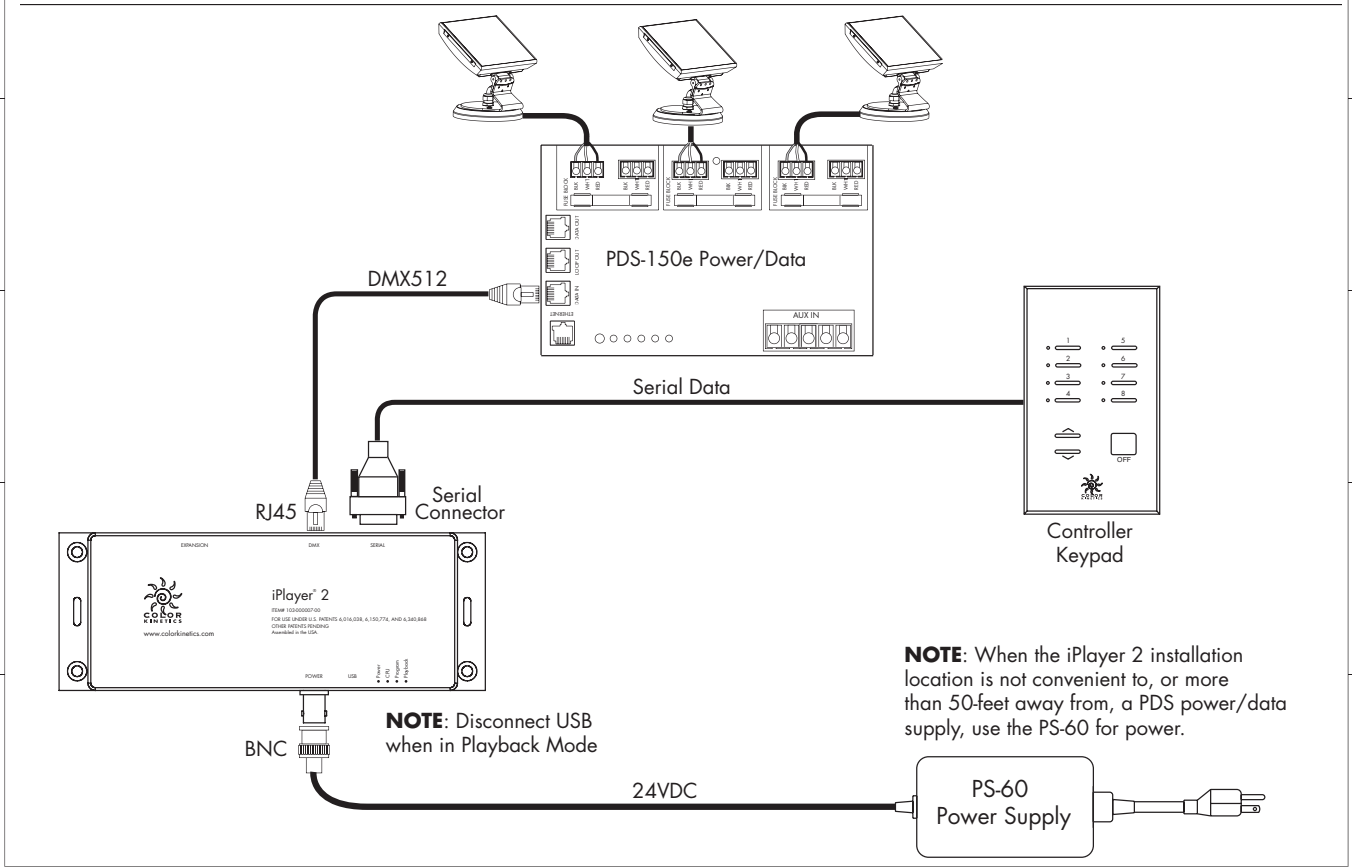
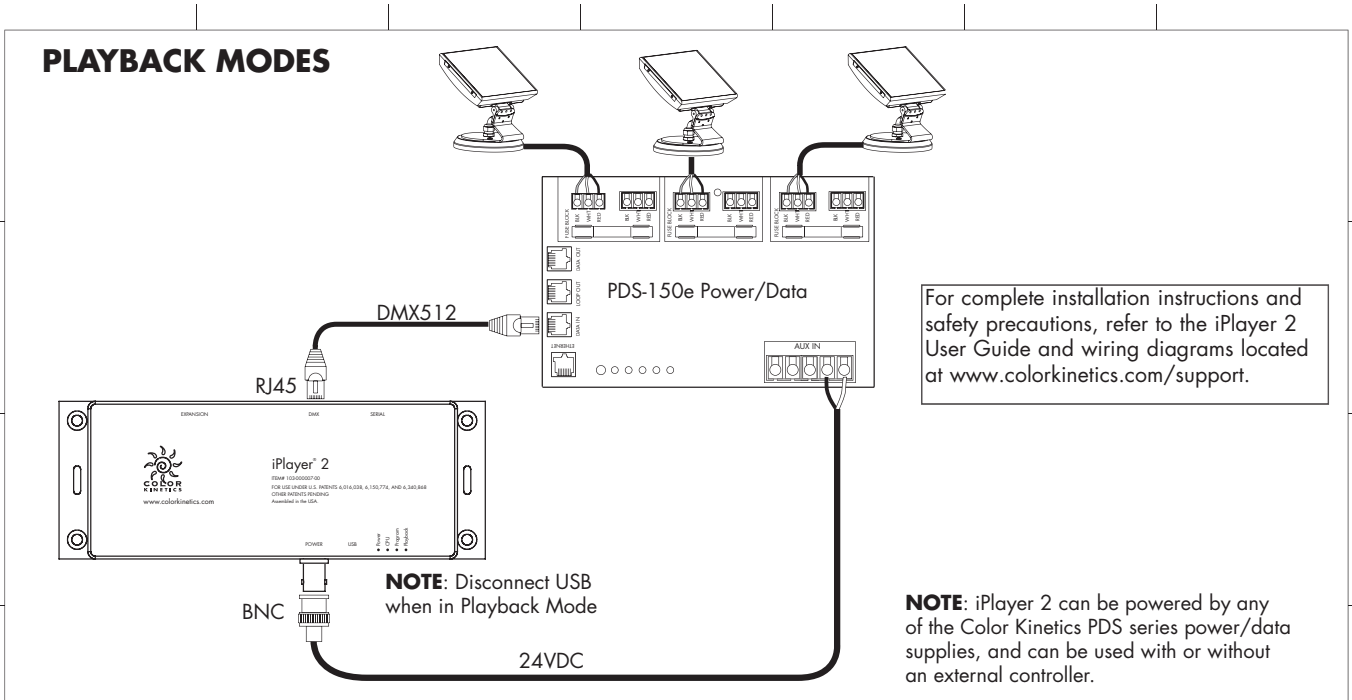
PHYSICAL DIMENSIONS



iPLAYER 2 ITEM # 103-000007-00	
WEIGHT	6.0oz (170g)
DATA CONNECTORS	USB (to computer) 9 pin serial (to keypad) RJ45 (to power supply) Expansion (contact-closure switch inputs)
POWER CONNECTORS	PS-60 PDS-150e PDS-500e
POWER REQUIREMENT	Playback mode: 24VDC Program mode: none (powered by USB)
MEMORY/STORAGE	16MB non-volatile memory

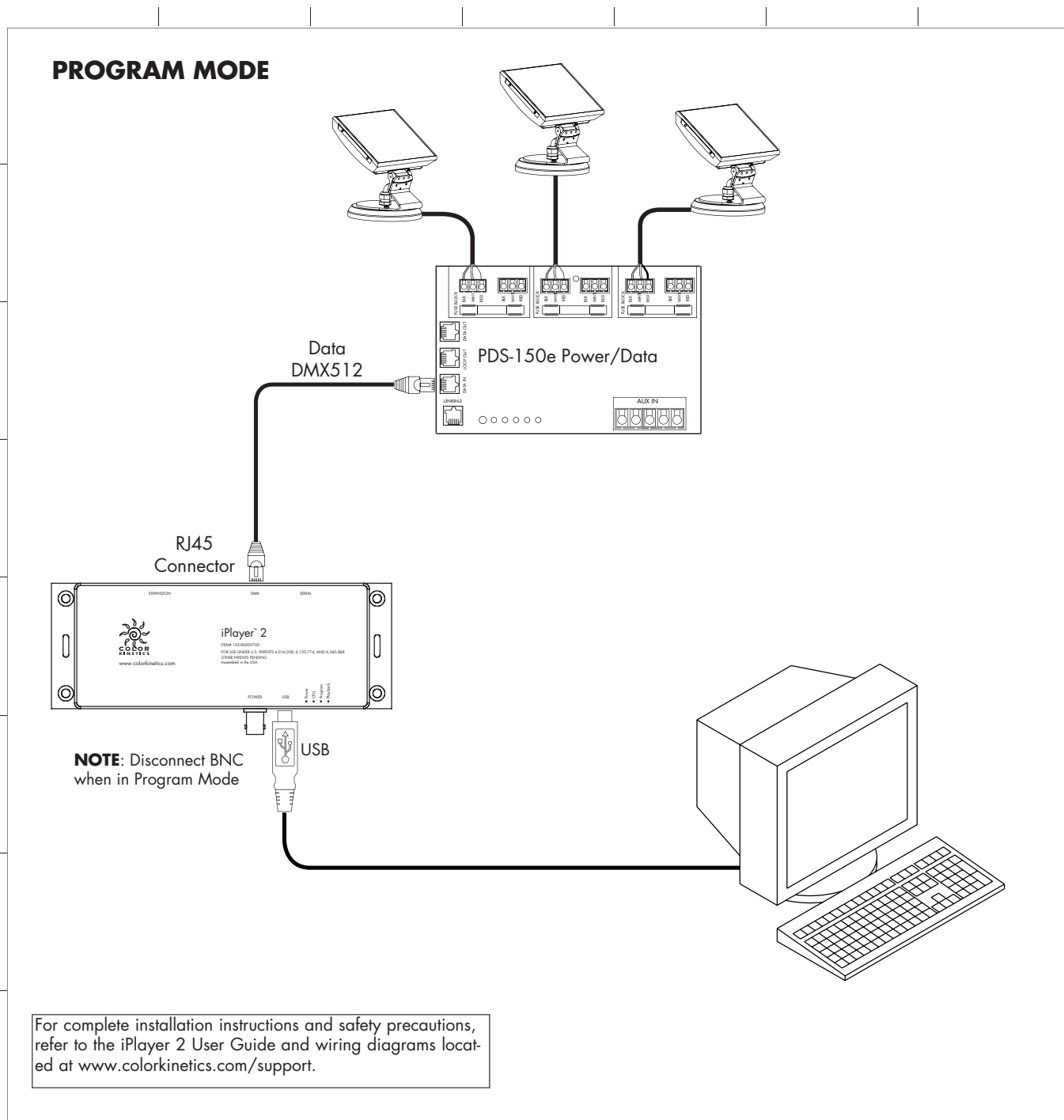
iPLAYER 2

FUNCTIONAL FLOW DIAGRAM



iPLAYER 2

FUNCTIONAL FLOW DIAGRAM



U.S. AND FOREIGN PATENTS AND PATENTS PENDING