



iPLAYER 1.5



iPlayer® 1.5 is a complete lighting show storage and playback system for Color Kinetics® lights. Smaller than a deck of playing cards, iPlayer stores DMX512 shows produced either with Color Kinetics ColorPlay® software or on a lighting console. The included iPlayer software 1.5 enables a personal computer to import and edit DMX512 shows as well as to store shows on iPlayer. The entire system has been designed to be versatile and easy to use.

iPlayer is the perfect solution for designers who wish to deliver and play shows in multiple locations, such as in retail store chains, while simultaneously insuring consistency of presentation and image. Shows can be created at a corporate location, and easily distributed to field locations. For instance, unlike rack mounted playback units, iPlayer fits in a standard overnight courier envelope. The rewriteable memory in iPlayer permits shows to be updated and stored without additional hardware investments. Additionally, distributing shows using the iPlayer system can be considerably less expensive than using floppy disk based playback systems.

iPlayer contains 2MB of non-volatile memory which stores a dynamic DMX512 stream. The length of show that can be stored depends upon a number of variables. The graph below shows the range of show sizes that will fit on iPlayer.

Unlike other playback units, iPlayer is compact. On site, it can mount directly to many Color Kinetics C-Series lights for power, eliminating the need for separate power cabling. The automatic restart function means that starting the show, such as at store opening or after a power failure, is literally effortless. And an LED indicator makes it easy to determine the iPlayer status, even from a distance.

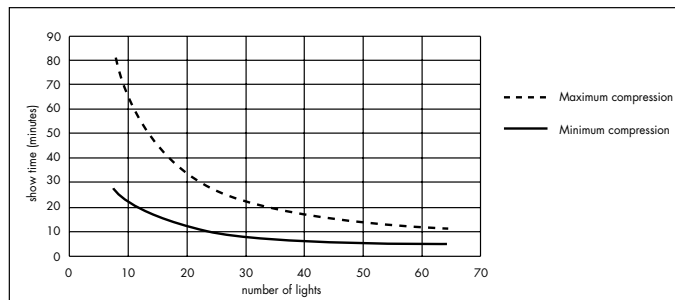
In addition to iPlayer and iPlayer software 1.5, this package includes a power supply and all cabling required to connect the device to both a personal computer and Color Kinetics lights. Cables required for connecting to a DMX512 lighting console are available separately from Color Kinetics.

iPlayer software requires Windows 95 or greater. Color Kinetics ColorPlay lets you download shows to iPlayer from either Macintosh or Windows PCs.

iPLAYER SOFTWARE 1.5 REQUIREMENTS

WINDOWS	Windows 95 or greater
FREE HARD DISK SPACE REQUIRED	2 MB
RAM REQUIRED	2 MB
LANGUAGE	English
CD-ROM DRIVE	

iPLAYER CAPACITY AT 50 FRAMES PER SECOND



Notice to users: Use of the software is subject to the license agreement contained in the package.

ITEM# 103-000003-00

FOR USE UNDER U.S. PATENTS 6,016,038 AND 6,150,774
OTHER PATENTS PENDING

©2001-2002 Color Kinetics Incorporated. All rights reserved. Chromacore, Color Kinetics, the Color Kinetics logo, ColorBlast, ColorPlay, iColor, iPlayer, and Smartjuice are registered trademarks, and ColorScape, iColor Cove, and QuickPlay are trademarks of Color Kinetics Incorporated.

All other brand or product names are trademarks or registered trademarks of their respective owners.

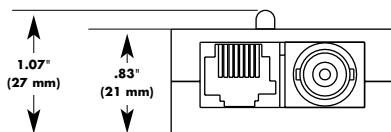
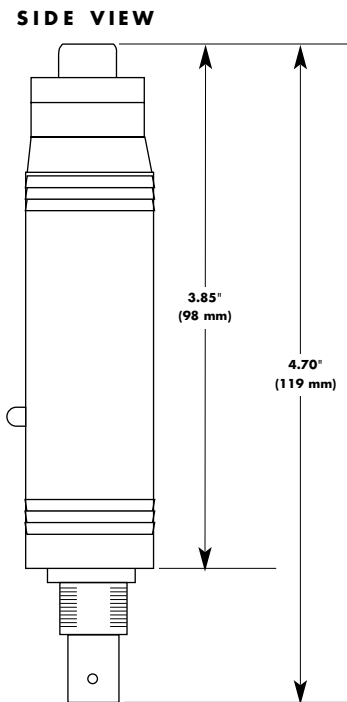
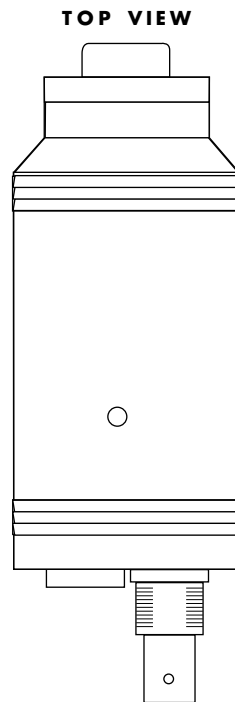
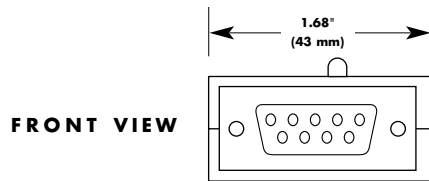
BR0039 Rev 06

Specifications subject to change without notice.

WARNING: The power must be OFF before installing or removing the product.

iPLAYER 1.5

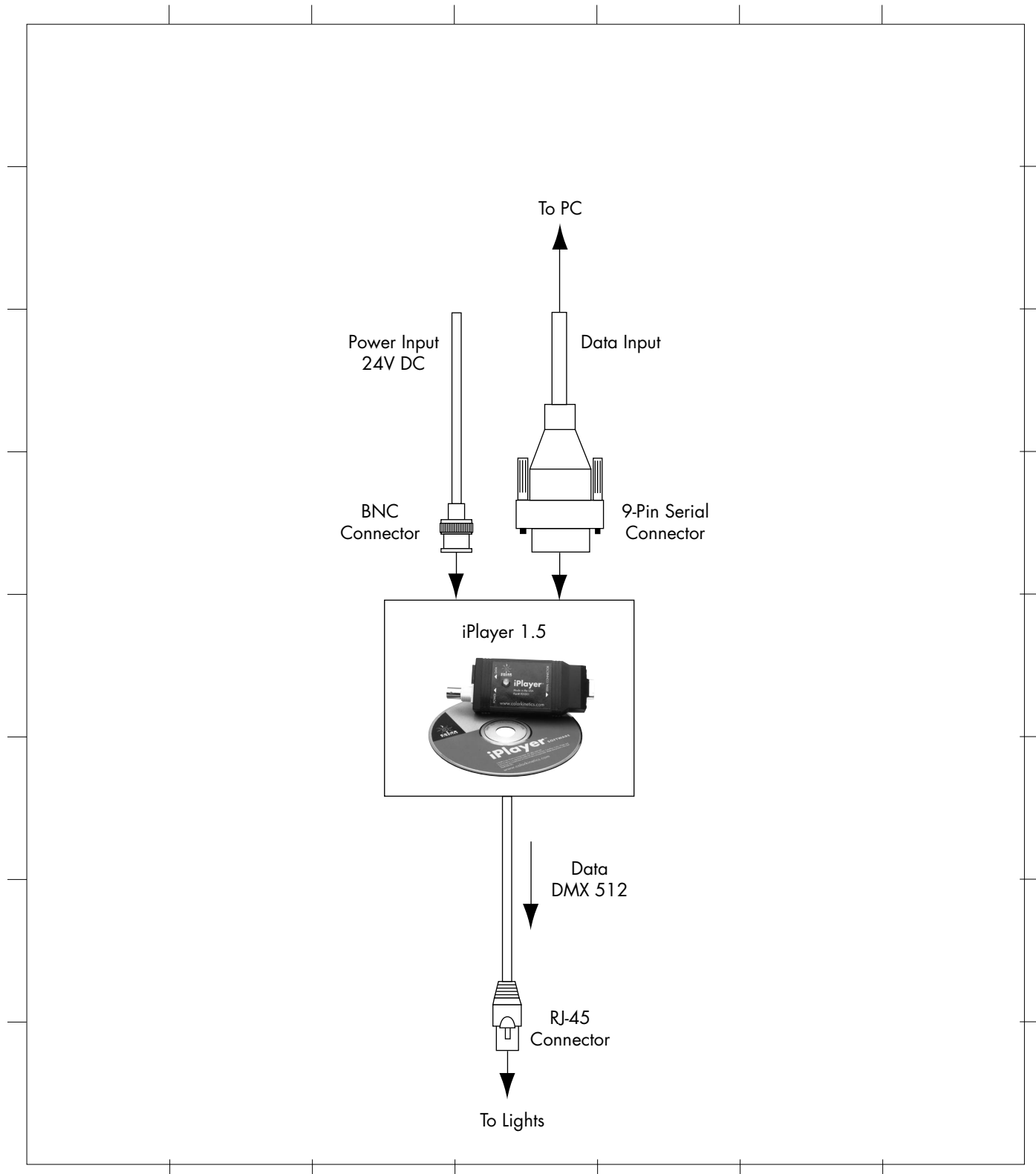
PHYSICAL DIMENSIONS



iPLAYER ITEM # 103-000003-00	
WEIGHT	2.2 oz (62 g)
DATA IN	9 pin serial connector
DATA OUT	RJ45 connector
POWER IN	BNC connector
POWER REQUIREMENT	50mA @ 24V DC (1.2W)
MEMORY/STORAGE	2 MB non-volatile memory

iPLAYER 1.5

WIRING DIAGRAM



U.S. AND FOREIGN PATENTS AND PATENTS PENDING

Color Kinetics Incorporated grants the purchaser of its lighting products and controllers a personal and non-transferable license to use Chromacore®, its patented technology for networkable control of LED-based color-changing lighting fixtures for illumination, display and design. This license is granted only by Color Kinetics Incorporated, and may not be transferred except by the grantor. The design, duplication, manufacture, or sale of other products using networkable control of LED-based color-changing lighting may be prohibited and is not licensed hereunder. Other patents pending.