



Date: _____ Type: _____

Firm Name: _____

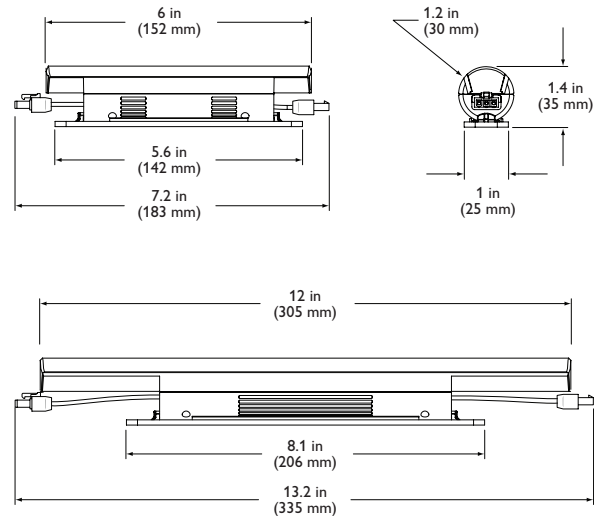
Project: _____

iColor Cove QLX

100° x 40° beam angle

Versatile, cost-effective intelligent RGB cove light offering saturated color and dynamic effects

iColor Cove® QLX is a compact linear LED fixture that generates saturated color and dynamic effects in alcoves, accent areas, and other interior spaces. The fixture is available in two standard lengths and wide or medium beam widths. An integrated rotating mount provides precise positioning, while optional mounting tracks allow quick project setup in linear applications. Flexible mounting and positioning options let you install fixtures in virtually any desired configuration.



- **Cost-effective** — Auto-addressing through Chromasic technology simplifies installation, addressing, and programming. Chromasic integrates power, communication, and control to lower overall system cost.
- **Versatile applications** — iColor Cove QLX delivers color-changing illumination and lighting effects to alcoves, task and accent spaces, and other confined areas in a wide range of applications, from large-scale commercial installations to simpler residential installations.
- **Superior color mixing** — iColor Cove QLX offers excellent mixing at 2 in (51 mm), with no shadowing between fixtures in a long run.
- **Industry-leading controls** — iColor Cove QLX works seamlessly with the complete Philips line of controllers, including iPlayer® 3, Light System Manager, and ColorDial™ Pro, as well as third-party DMX controllers.
- **Two standard lengths and beam angles** — Available in 6 in (152 mm) and 12 in (305 mm) lengths, with wide (120° x 120°) and medium (100° x 40°) beam widths.
- **Flexible mounting and positioning** — With end-to-end locking power connectors that can make 180° turns, these compact cove fixtures are easy to position in even the most challenging mounting circumstances. Optional mounting tracks ensure straight runs in linear applications, and support vertical and overhead positioning. Optional 1 ft (305 mm) and 5 ft (1.5 m) Jumper Cables offer extra space between fixtures or staggered positioning that lets you achieve curves and other geometries to fill alcoves and interior spaces of any shape or complexity.

For detailed product information, please refer to the iColor Cove QLX Product Guide at www.colorkinetics.com/ls/rgb/cove_qlx/

PHILIPS

Specifications

Due to continuous improvements and innovations, specifications may change without notice.

| Item | Specification | 6 in (152 mm) | 12 in (305 mm) | |
|--------------------------|---|--|--|------------------------|
| Output | Beam Angle | 100° x 40° (medium) | | |
| | Lumens* | 21 | 39 | |
| | LED Channels | Red / Green / Blue | | |
| | Mixing Distance | 2 in (51 mm) to uniform light | | |
| | Lumen Maintenance† | 50,000 hours L50 @ 25° C | 23,000 hours L50 @ 50° C | |
| Electrical | Input Voltage | 24VDC via sPDS-60ca, PDS-60ca, and sPDS-480ca. | | |
| | Power Consumption | 2 W maximum at full output, steady state | 3 W maximum at full output, steady state | |
| Control | Interface | sPDS-60ca 24V (DMX or Ethernet) PDS-60ca 24V (Pre-programmed, DMX, or Ethernet) sPDS-480ca 24V (Ethernet) | | |
| | Control System | Philips full range of controllers, including Light System Manager and iPlayer 3, and ColorDial Pro, or third-party controllers | | |
| Physical | Dimensions (Height x Width x Depth) | 1.2 x 6 x 1.4 in (30 x 152 x 36 mm) | 1.2 x 12 x 1.4 in (30 x 305 x 36 mm) | |
| | Weight | 3 oz (85 g) | 5 oz (142 g) | |
| | Housing | Charcoal gray injection-molded plastic | | |
| | Lens | Clear polycarbonate | | |
| | Fixture Connections | Integral male / female connectors | | |
| | Temperature Ranges | -4° – 122° F (-20° – 50° C) Operating -4° – 122° F (-20° – 50° C) Startup -40° – 176° F (-20° – 80° C) Storage | | |
| | Humidity | 0 – 95%, non-condensing | | |
| | Maximum Fixtures Per Power / Data Supply† | PDS-60ca 24V | 30 total | 20 total |
| | | sPDS-60ca 24V | 30 total | 20 total |
| | | sPDS-480ca 24V | 240 total, 30 per port | 160 total, 20 per port |
| Certification and Safety | Certifications | UL / cUL, CE, PSE, C-Tick | | |
| | Environment | Dry Location, IP20 | | |

† Lumen measurement complies with IES LM-79-08 testing procedures



‡ L50 = 50% maintenance of lumen output (when light output drops below 50% of initial output). Ambient temperatures specified. Based on measurements that comply with IES LM-80-08 testing procedures. Refer to www.colorkinetics.com/support/appnotes/lm-80-08.pdf for more information.

Fixtures and Accessories

| Item | Type | Item Number | Philips 12NC |
|-----------------------|------------------------|---------------|--------------|
| iColor Cove QLX 6 in | 120° x 120° beam angle | 101-000066-02 | 910503700218 |
| | 100° x 40° beam angle | 101-000066-03 | 910503700220 |
| iColor Cove QLX 12 in | 120° x 120° beam angle | 101-000066-00 | 910503700217 |
| | 100° x 40° beam angle | 101-000066-01 | 910503700219 |
| Mounting Track | 4 ft (1.2 m) | 523-000006-01 | 910503700452 |
| Leader Cable | 30 ft (9.1 m) | 108-000015-00 | 910503700072 |
| Jumper Cable | 1 ft (305 mm) | 108-000020-00 | 910503700079 |
| | 5 ft (1.5 m) | 108-000020-01 | 910503700080 |
| sPDS-60ca 24V | DMX / Ethernet | 109-000021-02 | 910503700106 |
| | Preprogrammed | 109-000016-00 | 910503700095 |
| PDS-60ca 24V | DMX | 109-000016-01 | 910503700333 |
| | Ethernet | 109-000016-02 | 910503700334 |
| sPDS-480ca 24V | Ethernet | 109-000026-00 | 910503700110 |

Use Item Number when ordering in North America.

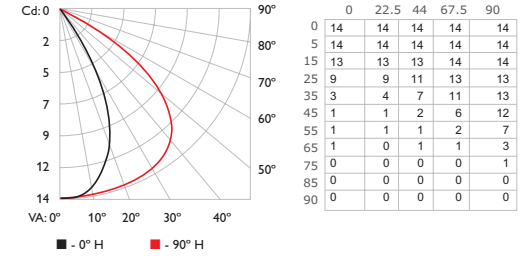


Philips Color Kinetics
3 Burlington Woods Drive
Burlington, Massachusetts 01803 USA
Tel 888.385.5742
Tel 617.423.9999
Fax 617.423.9998
www.philipscolorkinetics.com

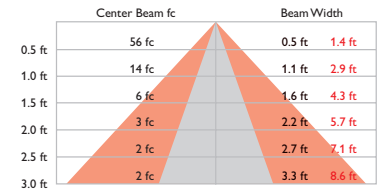
Photometrics

100° x 40° beam angle, 6 in (152 mm)

Polar Candela Distribution



Illuminance at Distance



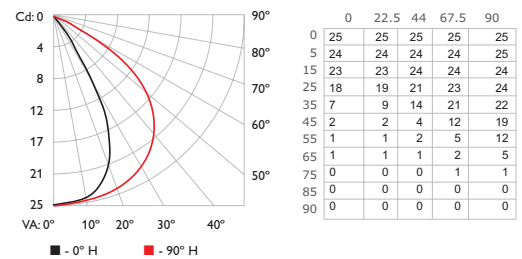
3.7 ft (1.1 m) 1 fc maximum distance
Vert. Spread: 57.2°
Horiz. Spread: 110.0°

| LED | Lumens | Efficacy |
|-----|--------|----------|
| RGB | 21 | 10.5 |

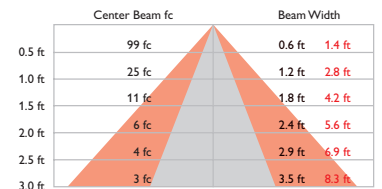
For lux multiply fc by 10.7

100° x 40° beam angle, 12 in (305 mm)

Polar Candela Distribution



Illuminance at Distance



5.0 ft (1.5 m) 1 fc maximum distance
Vert. Spread: 60.9°
Horiz. Spread: 108.5°

| LED | Lumens | Efficacy |
|-----|--------|----------|
| RGB | 39 | 13 |

Copyright © 2009 – 2010 Philips Solid-State Lighting Solutions, Inc. All rights reserved. Chromacore, Chromasic, CK, the CK logo, Color Kinetics, the Color Kinetics logo, ColorBlast, ColorBlaze, ColorBurst, eW Fuse, ColorGraze, ColorPlay, ColorReach, iW Reach, eW Reach, DIMand, EssentialWhite, eW, iColor, iColor Cove, IntelliWhite, iW, iPlayer, Optibin, and Powercore are either registered trademarks or trademarks of Philips Solid-State Lighting Solutions, Inc. in the United States and / or other countries. All other brand or product names are trademarks or registered trademarks of their respective owners. Due to continuous improvements and innovations, specifications may change without notice. DAS-000001-03 R02 12-10