

iColor Tile FX 2:2



Lens sold separately

iColor® Tile FX 2:2 is a Chromacore®-powered colored light panel that can be individually or collectively controlled to create stunning light art or accent lighting in a variety of surface mounted or recessed applications. iColor Tile FX 2:2 is a base unit for indoor applications and is ideal for wall and ceiling installations. Use iColor Tile FX 2:2 with an iColor Tile FX 2:2 Lens (sold separately) for an elegant, finished appearance, or install the base unit behind a custom panel. The iColor Tile 2:2 Lens is an impact-resistant, translucent white diffuser that provides seamless, uniform optical effects across its entire surface.

Each iColor Tile FX 2:2 panel has 144 individually addressable nodes, each driven by Chromasic® technology that integrates power, communication, and control to enable an infinite variety of effects. The ability to address each node individually provides a level of fine-grained control and intricacy never before available for show authoring. Each iColor Tile FX 2:2 has a 20 ft (6 m) leader cable from the power / data supply to the panel.

iColor Tile FX 2:2 receives power and data from a PDS-60ca 7.5V or sPDS-480ca 7.5V power / data supply. The PDS-60ca 7.5V is available with Ethernet / DMX512 control or a pre-programmed effects version. The sPDS-480ca 7.5V is an Ethernet-only power / data supply.

SPECIFICATIONS

COLOR RANGE	64 billion additive RGB colors; continuously variable intensity output range
SOURCE	432 LEDs packaged in 144 tri-color Red, Green, and Blue nodes
SOURCE LIFE	50,000 hours L ₅₀ @ 50°C*
HOUSING	Sheet metal
DIMENSIONS	23.5 x 23.5 x 4.125 in (597 x 597 x 105 mm) with lens
WEIGHT	22.5 lb (10.2 kg) Tile 5 lb (2.3 kg) Lens
TEMPERATURE	-4° – 122° F (-20° – 50° C)
HUMIDITY	0 – 95%, non-condensing
ENVIRONMENT	Indoor / Dry Location
LENS	Impact resistant copolyester with carbon steel mounting hardware.
CERTIFICATION	UL / cUL, CE
DATA INTERFACE	Philips full-line of controllers
CONTROL	Ethernet, DMX512, or Preprogrammed
CONNECTOR	3-wire, 18 AWG power / data cable
INPUT VOLTAGE	7.5 VDC
POWER USAGE	62 W maximum at full intensity

CHROMACORE® CK TECHNOLOGY | OPTIBIN® CK TECHNOLOGY | CHROMASIC® CK TECHNOLOGY



* L₅₀ = 50% maintenance of Lumen Output (when light output drops below 50% of initial output).
Complies with LM-79-08.

iColor Tile FX 2:2 Item # 101-000019-00

iColor Tile FX 2:2 Lens Item # 101-000044-00

POWER / DATA SUPPLY	PDS-60ca 7.5V	Item # 109-000015-00 (pre-programmed)
		Item # 109-000015-03 (DMX / Ethernet)
	sPDS-480ca 7.5V	Item # 109-000022-00 (Ethernet)

Copyright © 2008 Philips Solid-State Lighting Solutions, Inc. All rights reserved. Chromacore, Chromasic, CK, the CK logo, Color Kinetics, the Color Kinetics logo, ColorBlast, ColorBlaze, ColorBurst, ColorGraze, ColorPlay, ColorReach, DIMand, EssentialWhite, eV, iColor, iColor Cove, IntelliWhite, iV, iPlayer, Light Without Limits, Optibin, and Powercore are either registered trademarks or trademarks of Philips Solid-State Lighting Solutions, Inc. in the United States and / or other countries. All other brand or product names are trademarks or registered trademarks of their respective owners.

BRO-000125 Rev 07

Specifications subject to change without notice.
Refer to www.colorkinetics.com for the most recent version.

Philips Solid-State Lighting Solutions, Inc.
3 Burlington Woods Drive
Burlington, Massachusetts 01803 USA
Tel 888.Full.RGB
Tel 617.423.9999
Fax 617.423.9998
www.colorkinetics.com

PHILIPS

iCOLOR TILE FX 2:2

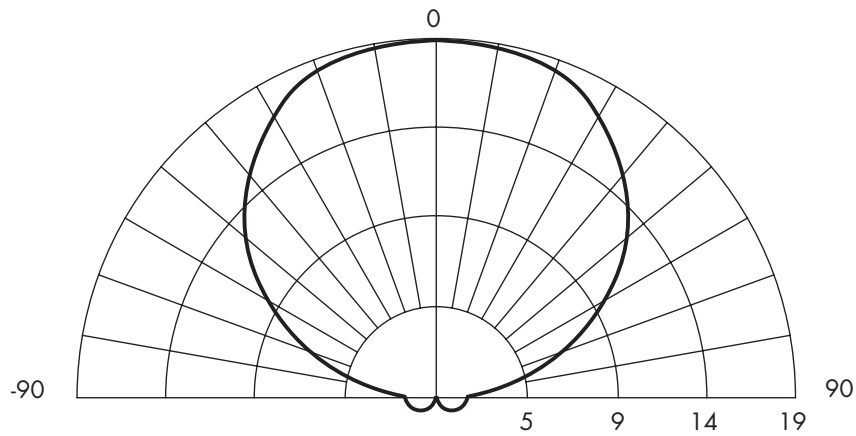
PHOTOMETRIC PERFORMANCE

Photometric data is based on test results from an independent testing lab.

SOURCE SPECIFICATIONS

Lens:	White copolyester diffuser
Source:	144 Tri-color LED nodes
Beam Angle:	120° (50% maximum)
Distribution:	Symmetric direct illumination
CCT:	Adjustable 1,000–10,000K
CRI:	Not measurable (CIE 13.3-1995)

CANDELA DISTRIBUTION



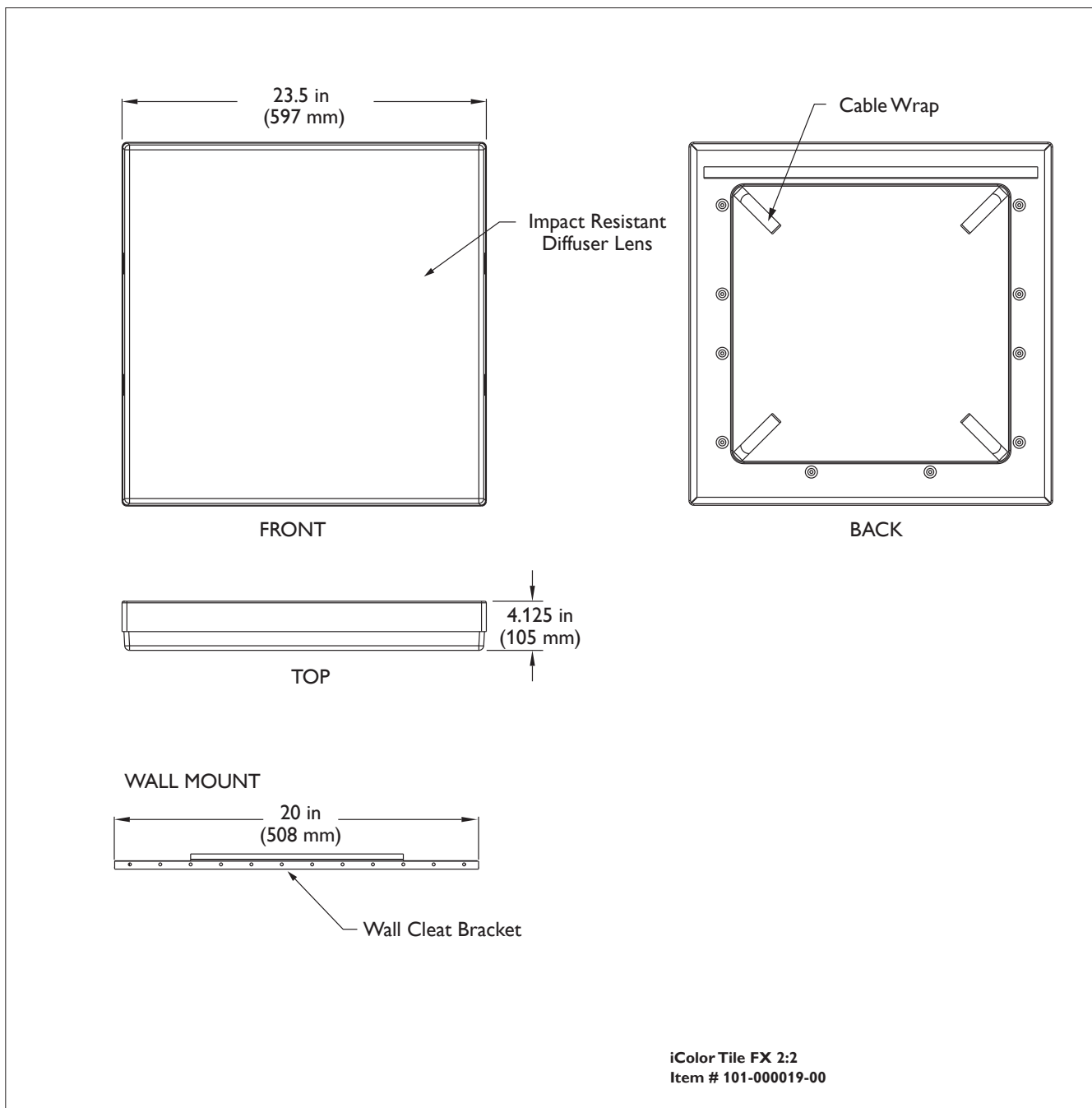
LUMINANCE DATA IN CANDELA/SQ METER

Angle in Vertical	Average 0-Deg	Average 45-Deg	Average 90-Deg
45	51	50	51
55	49	48	49
65	47	47	47
75	40	40	40
85	33	33	33

Note: iColor Tile FX is a direct view product. As a result, the measurements are luminance-based. Units are candela/meters² (nits).

iCOLOR TILE FX 2:2

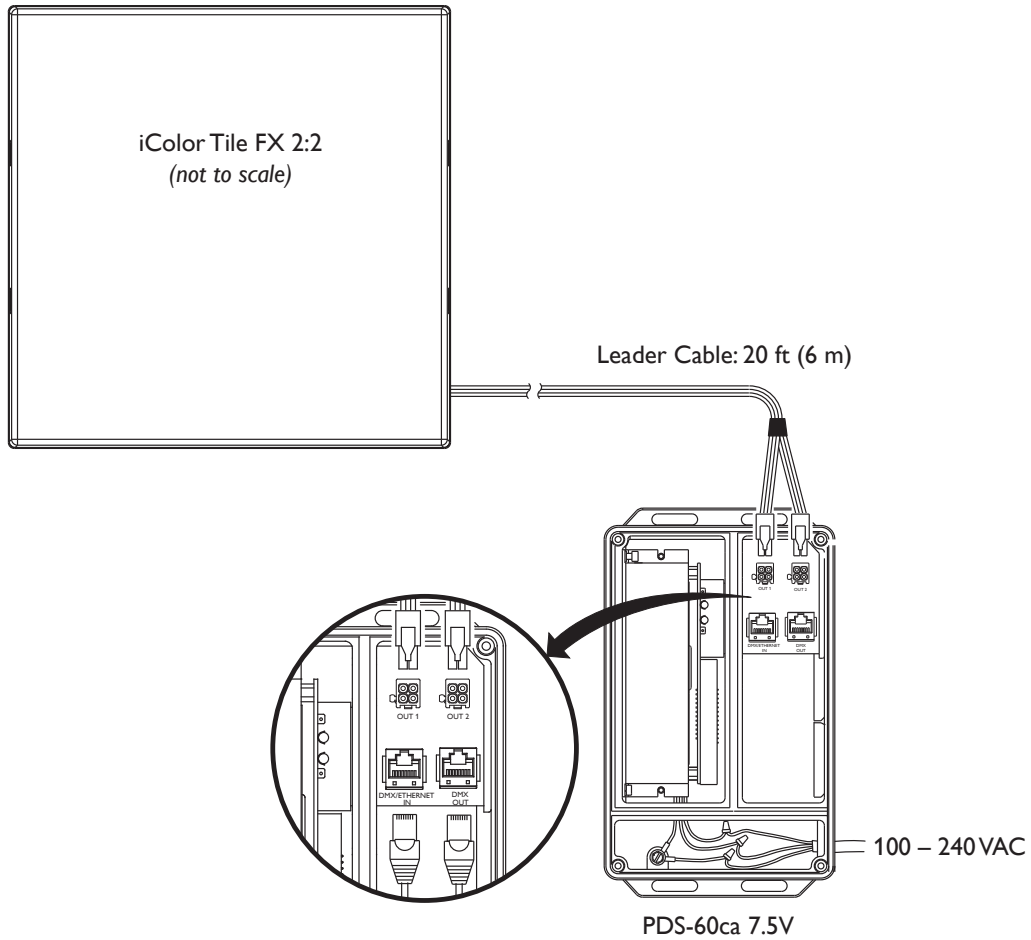
Physical Dimensions



OPTIBIN®

There are inherent variations in the fabrication processes of all semiconductor materials. For LEDs, this variance results in differences in the color and intensity of light output as well as electrical characteristics. Due to these differences, LED manufacturers sort production into "bins," but insuring the availability of a single bin is very difficult. To minimize this issue and achieve optimal color consistency in its products, Philips Solid-State Lighting Solutions has developed and uses a proprietary technology called Optibin. Optibin is an advanced production binning optimization process that minimizes the effects of LED variance for the best possible output uniformity in the final product. Optibin technology gives the most consistent control of color and intensity from product to product.

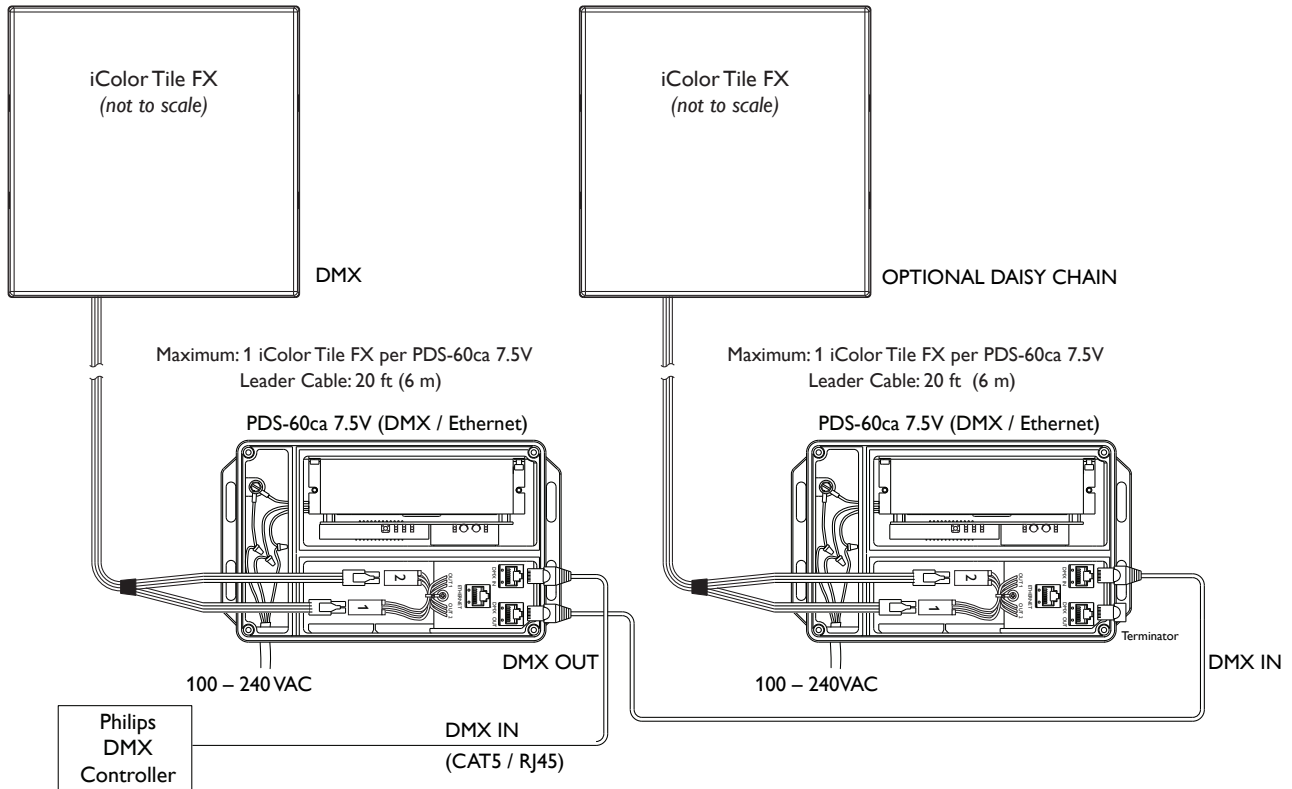
iColor Tile FX with PDS-60ca 7.5V (Preprogrammed)



For complete installation instructions, safety precautions, and wiring diagrams, please visit: www.colorkinetics.com/support.

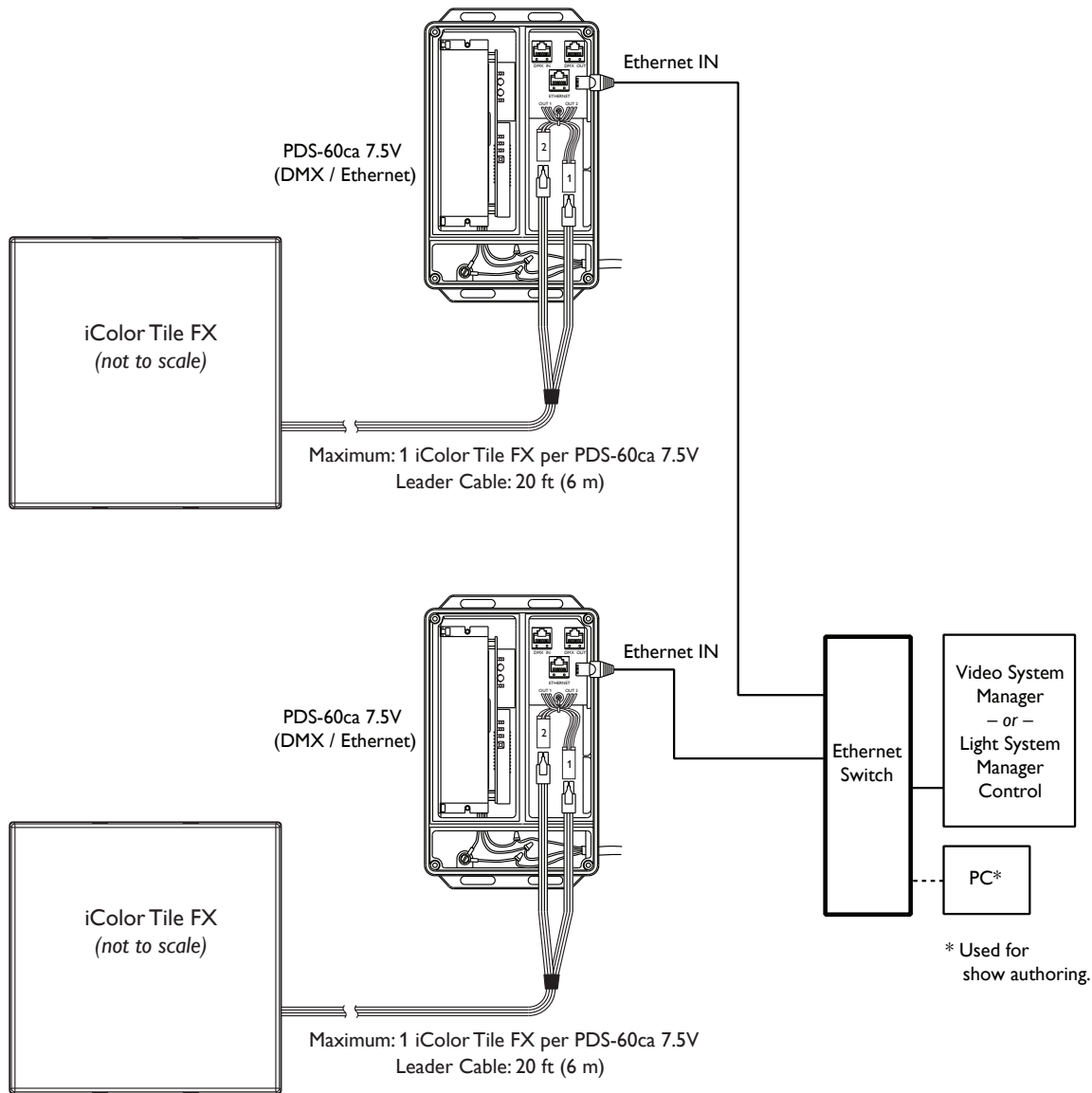
Additional Items	
POWER/DATA SUPPLY	PDS-60ca 7.5V (109-000015-00/03)
LENS	101-000044-00

iColor Tile FX with PDS-60ca 7.5V (DMX)



For complete installation instructions, safety precautions, and wiring diagrams, please visit: www.colorkinetics.com/support.

iColor Tile FX 2:2 with PDS-60ca 7.5V (Ethernet)



For complete installation instructions, safety precautions, and wiring diagrams, please visit: www.colorkinetics.com/support.