



White



A Green Flagship Product

Our Green Flagship Products offer significantly improved environmental performance in two or more of the following Green Focal Areas: weight, energy consumption, hazardous substances, packaging, recycling, disposal, and lifetime reliability.

Date: _____ Type: _____

Firm Name: _____

Project: _____

eW Profile Powercore 4000 K

Ultra-low profile, white light LED under cabinet fixture

eW[®] Profile Powercore is a direct line voltage under cabinet LED fixture for common task lighting and display case applications. Available in 2700 K or 4000 K color temperatures, eW Profile Powercore is suitable for new installations and retrofit upgrades requiring superior illumination quality with dramatic energy savings. Onboard Powercore[®] digital power processing technology maximizes output efficiency and eliminates the need for external power supplies. Combined with an ultra low profile housing, three fixture lengths, versatile jumper options, and housing colors to match any environment, eW Profile Powercore offers an unprecedented level of contractor-friendly installation.

- Onboard Powercore[®] technology — eW Profile Powercore fixtures process power input directly from line voltage. Clip or track mounting options and standard line-neutral-ground wiring dramatically simplify installation.
- Industry-leading quality — Long-life LEDs provide 55,000 hours of use at 70% lumen maintenance.
- Exceptional illumination performance — Meets IESNA illumination intensity specifications for optimal usability and safety in task lighting applications.
- Energy cost savings — Consumes just 5.5 watts of energy per fixture and can support a continuous run up to 50 ft (15.2 m) in length.

Specifications

Due to continuous improvements and innovations, specifications may change without notice.

Item	Specification	9.25 in (actual) 11 in (effective)	19.25 in (actual) 21 in (effective)	39.25 in (actual) 41 in (effective)
Output	Beam Angle	110° x 110°		
	Lumens	180	325	648
	Color Temperature	4000 K (+600 / -300)		
	Efficacy (lm / W)	30.0	32.5	32.4
	Mixing Distance	2 in (51 mm) to uniform light		
	CRI	80	82	82
	Lumen Maintenance	55,000 hours L70* @ 25° C 31,000 hours L70* @ 50° C		
Electrical	Input Voltage	100 / 120 / 220 – 240 VAC (45 – 66 Hz)		
	Power Consumption	5.5 W max. at full output, steady state 6 W peak in-rush	10 W max. at full output, steady state 13 W peak in-rush	20 W max. at full output, steady state 25 W peak in-rush
	Power Factor	≥ 95		
Control	Commercially available ELV , trailing edge, or reverse-phase controller dimmer			
Physical	Dimensions (Height x Width x Depth)	.88 x 9.25 x 1.7 in (22 x 235 x 43 mm)	.88 x 19.25 x 1.7 in (22 x 489 x 43 mm)	.88 x 39.25 x 1.7 in (22 x 997 x 43 mm)
	Weight	7 oz (198 g)	13 oz (369 g)	1.6 lbs (728 g)
	Housing	Extruded aluminium, polycarbonate, White, Black, or Gray powder-coated finish		
	Lens	Clear polycarbonate		
	Fixture Connections	Integral male / female connectors		
	Operating Temperature	-4° – 122° F (-20° – 50° C)		
	Humidity	0 – 95%, non-condensing		
	Maximum Fixture Run Length	Up to 50 ft (15.3 m) of fixtures on a single circuit, ≤ 324 W		
Certification and Safety	Certification	UL / cUL, FCC Class B, CE		
	LED Class	Class 1M LED product		
	Environment	Dry / Damp Location, IP50		
	Energy Efficiency	California Title 24 Compliant		

* Lumen measurement complies with IES LM-79-08



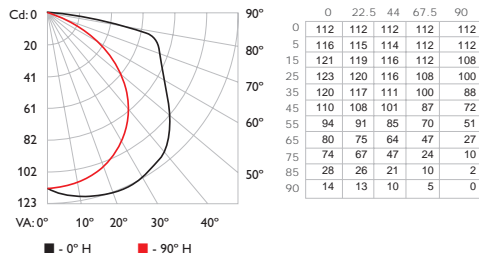
For detailed product information, please refer to eW Profile Powercore Product Guide at www.colorkinetics.com/Is/essentialwhite/ewprofile/



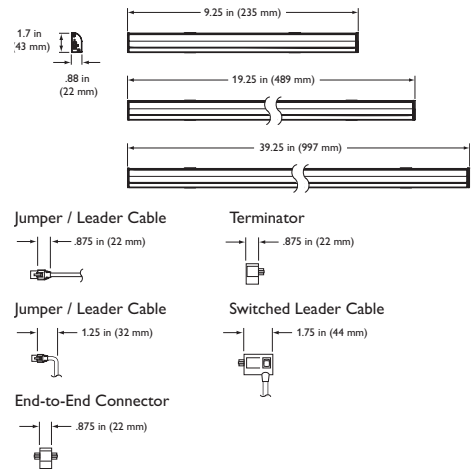
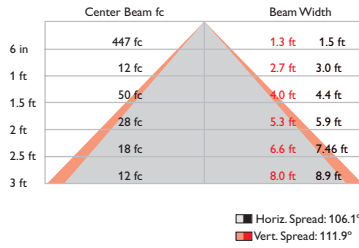
eW Profile Powercore 19.25 in, 4000 K Photometrics

Power Consumption – 10 W, Lumens – 325, Efficacy – 32.5 lm/W

Polar Candela Distribution



Illuminance at Distance



For lux multiply fc by 10.7

For detailed product information, please refer to eW Profile Powercore Product Guide at www.colorkinetics.com/lessthanwhite/ewprofile/

Fixtures and Accessories

Item	Housing Color	Temp.	Size	Item Number	Philips 12NC
eW Profile Powercore, 100 VAC	White	4000 K	9.25 in (235 mm) (effective 11 in)	523-000026-21	910503700410
			19.25 in (489 mm) (effective 21 in)	523-000026-22	910503700411
			39.25 in (997 mm) (effective 41 in)	523-000026-23	910503700412
eW Profile Powercore, 120 VAC	White	4000 K	9.25 in (235 mm) (effective 11 in)	523-000027-21	910503700428
			19.25 in (489 mm) (effective 21 in)	523-000027-22	910503700429
			39.25 in (997 mm) (effective 41 in)	523-000027-23	910503700430
eW Profile Powercore, 220 – 240 VAC including Leader Cable and Terminator	White	4000 K	9.25 in (235 mm) (effective 11 in)	523-000028-21	910503700446
			19.25 in (489 mm) (effective 21 in)	523-000028-39	910503700531
			39.25 in (997 mm) (effective 41 in)	523-000028-40	910503700532
eW Profile Powercore, 220 – 240 VAC including End-to-End Connector	White	4000 K	9.25 in (235 mm) (effective 11 in)	523-000028-41	910503700533
			19.25 in (489 mm) (effective 21 in)	523-000028-22	910503700447
			39.25 in (997 mm) (effective 41 in)	523-000028-23	910503700448
Mounting Track	White		25 @ 9 in (229 mm)	120-000064-02	910503700273
			25 @ 19 in (483 mm)	120-000064-00	910503700271
			24 @ 39 in (991 mm)	120-000064-01	910503700272
Jumper Cable, 100 / 220 – 240 VAC	White		6 in (152 mm)	108-000035-05	910503700265
			12 in (305 mm)	108-000035-06	910503700266
			18 in (457 mm)	108-000035-07	910503700267
			5 ft (1.5 m)	108-000035-08	910503700268
Jumper Cable, 120 VAC	White		6 in (152 mm)	108-000035-00	910503700260
			12 in (305 mm)	108-000035-01	910503700261
			18 in (457 mm)	108-000035-02	910503700262
			5 ft (1.5 m)	108-000035-03	910503700263
End-to-End Connector, Quantity 5	White		.875 in (22 mm)	108-000035-10	910503700368
“Y” Jumper Cable and Terminator, 100 / 220 – 240 VAC	White		16.5 in (419 mm)	108-000035-09	910503700269
“Y” Jumper Cable and Terminator, 120 VAC	White		16.5 in (419 mm)	108-000035-04	910503700264
Switched Portable Leader Cable and Terminator, 120 VAC	White		10 ft (3 m)	108-000034-00	910503700258
Leader Cable and Terminator, 100 / 220 – 240 VAC	White		10 ft (3 m)	108-000034-01	910503700259
Permanent Wiring Compartment and Terminator, 120 VAC	White		1.125 x 1.75 x 3.5 in (29 x 45 x 89 mm) (Height x Width x Depth)	120-000065-00	910503700270

Use Item Number when ordering in North America.



Philips Color Kinetics
 3 Burlington Woods Drive
 Burlington, Massachusetts 01803 USA
 Tel 888.Full.RGB
 Tel 617.423.9999
 Fax 617.423.9998
www.colorkinetics.com

Copyright © 2008 – 2009 Philips Solid-State Lighting Solutions, Inc. All rights reserved. Chromacore, Chromasic, CK, the CK logo, Color Kinetics, the Color Kinetics logo, ColorBlast, ColorBlaze, ColorBurst, ColorGraze, ColorPlay, ColorReach, DIMand, EssentialWhite, eW, iColor, iColor Cove, IntelliWhite, iW, iPlayer, Light Without Limits, Optibin, and Powercore are either registered trademarks or trademarks of Philips Solid-State Lighting Solutions, Inc. in the United States and/or other countries. All other brand or product names are trademarks or registered trademarks of their respective owners. Due to continuous improvements and innovations, specifications may change without notice.

DAS-000005-02 R04 04-09