



Date: _____ Type: _____

Firm Name: _____

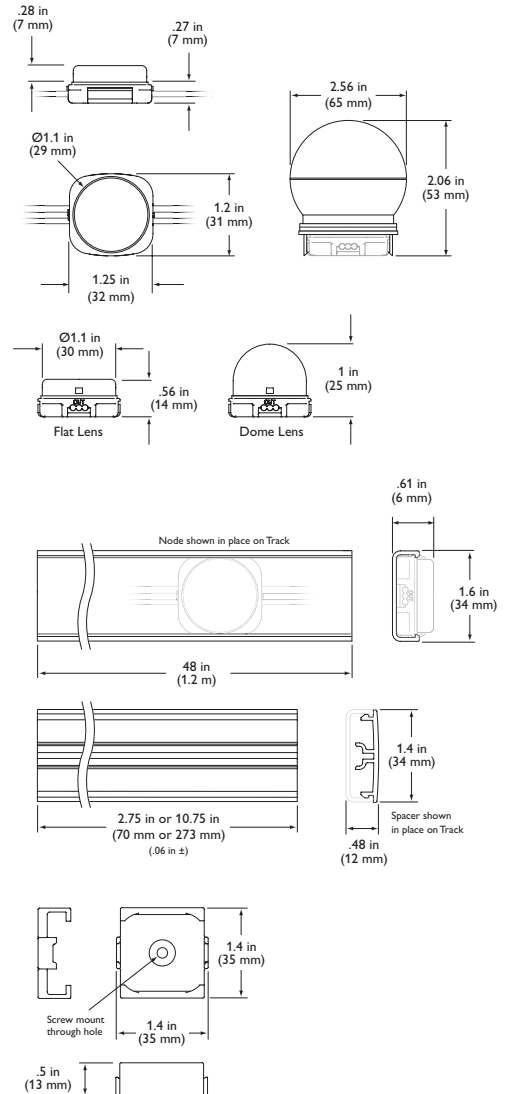
Project: _____

eW Flex SLX

Flexible strands of intelligent white light LED nodes

eW® Flex SLX is a versatile strand of 50 individually controllable white light LED nodes. The durable, flexible form factor allows for dynamic points of white light to be installed across nearly any interior or exterior surface, including walls, ceilings, floors, three-dimensional sculptures, and set pieces. eW Flex SLX can also light tight alcove spaces and signage.

- **Intelligent white light** — Each eW Flex SLX strand consists of 50 intelligent LED nodes. The intensity of each node can be individually controlled for a variety of uses and effects.
- **Standard and custom lengths and node spacing** — Available with standard on-center node spacing of 4 in (102 mm) or 12 in (305 mm). Custom on-center node spacing, from 3 in (76 mm) to 12 in (305 mm), support virtually any lighting or video design. Standard 50-node lengths can be shortened in the field, and custom node lengths are also available.
- **Range of fixture options** — Nodes are available with clear flat lenses or translucent domes, and in warm 2700 K or cool 4200 K. Custom housing colors are available in addition to standard white.
- **Adaptable mounting** — eW Flex SLX strands can be mounted directly to a surface like traditional string lights. Optional mounting tracks ensure straight linear runs, while snap-on spacers hide cabling and mounting hardware between nodes. Single node mounts can be positioned individually to provide anchor points for nodes in installations with uneven node spacing or complex geometries.
- **Multiple uses** — Lighting professionals can use eW Flex SLX as is for a variety of accent, perimeter, and cove lighting applications, or as a building block for the design and creation of custom applications.
- **Industry-leading controls** — eW Flex SLX works seamlessly with the complete Philips line of controllers, including Video System Manager, Light System Manager, and iPlayer 3, as well as third-party DMX controllers.



- **Outdoor rated** — Fully sealed for maximum fixture life and IP66-rated for outdoor applications.

For detailed product information, please refer to the eW Flex SLX Product Guide at www.colorkinetics.com/ls/essentialwhite/ewflexslx/



Specifications

Due to continuous improvements and innovations, specifications may change without notice.

Item	Specification	Clear Flat Lens	Translucent Dome Lens
Output	Viewing Angle	115°	280°
	On-Axis Candela Per Node	2700 K 3.3	0/9
		4200 K 4.6	1.2
	Lumens Per Node†	2700 K 9	6
		4200 K 13	8
	Efficacy (lm / W)	2700 K 8.2	5.5
		4200 K 11.8	7.3
CRI	70	70	
Lumen Maintenance	40,000+ hours L70 @ 50° C		
Electrical	Input Voltage	24 VDC	
	Power Consumption	1 W max. per node at full output, steady state	
Physical	Node Dimensions (Height x Width x Depth)	1.22 x 1.25 x .56 in (31 x 32 x 14 mm)	1.22 x 1.25 x 1 in (31 x 32 x 25 mm)
	Weight	4.6 lb (2.1 kg) per strand of 50 nodes	
	Housing	White polycarbonate	
	Lens	Clear or frosted polycarbonate	
	Fixture Connections	RJ45 data connectors, 4-pin power connector	
	Operating Temperature	-40° – 122° F (-40° – 50° C) Operating -4° – 122° F (-20° – 50° C) Startup	
	Humidity	0 – 95%, non-condensing	
	Maximum Fixtures Per Power / Data Supply	sPDS-480ca 24V: 8 strands sPDS-60ca 24V : 1 strand PDS-60ca 24V : 1 strand PS-96 24V: 1 strand	
Certification and Safety	Certification	UL / cUL, CE	
	LED Class	Class 2 LED product	
	Environment	Dry / Damp / Wet Location, IP66	
	Energy Efficiency	California Title 24 Compliant	

† Lumen measurement complies with IES LM-79-08 testing procedures

‡ L70 = 70% maintenance of lumen output. (When light output drops below 70% of initial output.)



CHROMASIC™ | OPTIBIN®
CK TECHNOLOGY | CK TECHNOLOGY

eW Flex SLX fixtures are part of a complete system which includes fixtures and:

- One or more power / data supplies
- (Optional) Mounting track and spacers, or single-node mounts
- Any Philips controller, including Video System Manager, Light System Manager, and iPlayer 3, or a third-party DMX controller.

For detailed product information, please see the eW Flex SLX Product Guide at www.colorkinetics.com/ls/essentialwhite/ewflexslx/

Fixtures and Accessories

Item	Type	Item Number	Philips 12NC	
eW Flex SLX 4 in on-center node spacing	2700 K	Clear Flat Lens	500-000007-01	910503700176
		Translucent Dome Lens	500-000007-00	910503700175
	4200 K	Clear Flat Lens	500-000007-05	910503700180
		Translucent Dome Lens	500-000007-04	910503700179
eW Flex SLX 12 in on-center node spacing	2700 K	Clear Flat Lens	500-000007-03	910503700178
		Translucent Dome Lens	500-000007-02	910503700177
	4200 K	Clear Flat Lens	500-000007-07	910503700182
		Translucent Dome Lens	500-000007-06	910503700181
Marquee Lens Kits Qty 50	White	Clear	999-000373-00	822221400077
	White	Translucent	999-000373-01	822221400078
	White	Semi-frosted	999-000373-02	822221400079
Mounting Track Qty 1	White	4 ft (1.2 m)	101-000057-00	910503700044
Spacers Qty 50	White	4 in (102 mm)	101-000059-00	910503700048
	White	12 in (305 mm)	101-000059-01	910503700048
Single Node Mounts Qty 50	White		101-000058-00	910503700046
sPDS-480ca 24V	Ethernet		109-000026-00	910503700110
PDS-60ca 24V	Pre-programmed		109-000016-00	910503700095
	DMX		109-000016-01	910503700333
sPDS-60ca 24V	Ethernet		109-000016-02	910503700334
	DMX / Ethernet		109-000021-02	910503700106
PS-96 24V	DMX		109-000025-00	910503700109
Video System Manager Pro	Ethernet, DVI Interface		103-000022-00	910503700325
	Ethernet, Composite Interface		103-000022-01	910503700455
Light System Manager	Ethernet		103-000015-00	910503700221
iPlayer 3	DMX, North America Power Cord		103-000019-00	910403327101
	DMX, Europe Power Cord		103-000019-01	910503700392
ColorDial	DMX		103-000014-00	910403326901
Synchronizer	DMX		103-000001-00	—
Multi Synchronizer	DMX		103-000002-00	—

Use Item Number when ordering in North America



Philips Color Kinetics
3 Burlington Woods Drive
Burlington, Massachusetts 01803 USA
Tel 888.385.5742
Tel 617.423.9999
Fax 617.423.9998
www.colorkinetics.com

Copyright © 2009 Philips Solid-State Lighting Solutions, Inc. All rights reserved. Chromacore, Chromasic, CK, the CK logo, Color Kinetics, the Color Kinetics logo, ColorBlast, ColorBlaze, ColorBurst, ColorGraze, ColorPlay, ColorReach, DIMand, EssentialWhite, eW, iColor, iColor Cove, IntelliWhite, iW, iPlayer, Light Without Limits, Optibin, and Powercore are either registered trademarks or trademarks of Philips Solid-State Lighting Solutions, Inc. in the United States and/or other countries. All other brand or product names are trademarks or registered trademarks of their respective owners. Due to continuous improvements and innovations, specifications may change without notice.

DAS-000004-01 R00 08-09