



Date: \_\_\_\_\_ Type: \_\_\_\_\_

Firm Name: \_\_\_\_\_

Project: \_\_\_\_\_

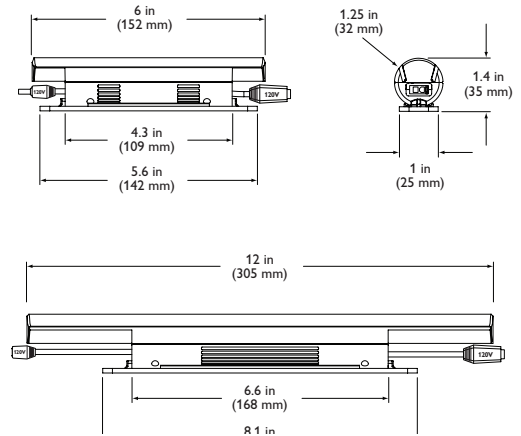
## eW Cove QLX Powercore

Affordable, high-output linear cove light

### Ordering Information

eW Cove QLX Powercore is a dimmable, low-profile cove light that delivers high-quality and quantity white and colored light at an affordable price.

- Replaces traditional cove lighting — With excellent light output, competitive pricing, long source life, energy efficiency, and virtually maintenance-free operation, eW Cove QLX Powercore replaces comparable T8 and T12 fluorescent sources with a three-year payback, and comparable halogen and xenon sources with one-year payback.
- Multiple options for design flexibility — Available in four color temperatures, ranging from a warm 2700 K to a cool 4000 K, and four solid colors (Red, Amber, Green, and Blue). Lengths of 12 in (305 mm) and 6 in (152 mm), along with wide and medium beam angles, offer further design flexibility.
- Support for multiple voltages — Accepts power input of 100, 120, or 220 –240 VAC for consistent installation and operation from line voltage in many locations.
- Compact and flexible — eW Cove QLX Powercore low-profile fixtures fit in narrow alcoves, display cases, light boxes, and other tight spaces where fixtures requiring ballasts, external power supplies, and other auxiliary equipment cannot.
- Integrates patented Powercore technology — Powercore rapidly, efficiently, and accurately controls power output to fixtures directly from line voltage, eliminating the need for external power supplies and lowering total system cost.
- Superior color consistency and accuracy — Optibin, an advanced binning algorithm, exceeds industry standards for color quality to guarantee uniformity and consistency of hue and color temperature across LEDs, fixtures, and manufacturing runs.



- Simple installation — Powercore delivers line voltage directly to the fixtures, simplifying installation and allowing long product runs. Easy-to-install 4 ft (1.2 m) mounting tracks allow quick project setup in linear applications.
- Easy mounting and positioning — End-to-end locking power connectors can make 180° turns, for easy positioning in even the most challenging mounting circumstances. Fixtures rotate in 10° increments through a full 180° for precise aiming and color mixing. Optional mounting tracks support vertical and overhead positioning. 1 ft (305 mm) and 5 ft (1.5 m) jumper cables can add extra space between fixtures.
- Dimming capability — Patented DIMand technology offers smooth dimming capability with selected commercially available reverse-phase ELV-type dimmers.

For detailed product information, please refer to the eW Cove QLX Powercore Cove QLX Product Guide at [www.philipscolorkinetics.com/ls/essentialcolor/ecolorcoveqlxpc/](http://www.philipscolorkinetics.com/ls/essentialcolor/ecolorcoveqlxpc/)



**ENERGY STAR certified**  
As an ENERGY STAR certified LED luminaire, eW Cove QLX Powercore meets ENERGY STAR requirements for efficacy, color rendering, color consistency, useful life, and power factor.\*

# PHILIPS

## eW Cove QLX Powercore Fixtures

\* ENERGY STAR

		Wide Beam Angle (110° x 110°)				Medium Beam Angle (60° x 115°)			
		12 in (305 mm)		6 in (152 mm)		12 in (305 mm)		6 in (152 mm)	
		Item Number	Philips 12NC	Item Number	Philips 12NC	Item Number	Philips 12NC	Item Number	Philips 12NC
100 VAC	2700 K	523-000004-15	910503700628	523-000005-07	910503700636	523-000004-34	910503701146	523-000005-18	910503701162
	3000 K	523-000004-23	910503700999	523-000005-11	910503701008	523-000004-35	910503701147	523-000005-19	910503701163
	3500 K	523-000004-25	910503701002	523-000005-13	910503701010	523-000004-36	910503701148	523-000005-20	910503701164
	4000 K	523-000004-17	910503700630	523-000005-09	910503700638	523-000004-37	910503701149	523-000005-21	910503701165
120 VAC	2700 K	523-000004-14*	910503700627	523-000005-06	910503700635	523-000004-30	910503701142	523-000005-14	910503701158
	3000 K	523-000004-22*	910503700998	523-000005-10	910503701007	523-000004-31	910503701143	523-000005-15	910503701159
	3500 K	523-000004-24*	910503701001	523-000005-12	910503701009	523-000004-32	910503701144	523-000005-16	910503701160
	4000 K	523-000004-16	910503700629	523-000005-08	910503700637	523-000004-33	910503701145	523-000005-17	910503701161
220 – 240 VAC <i>Fixture only</i>	2700 K	523-000004-18	910503700631			523-000004-38	910503701150		
	3000 K	523-000004-26	910503701003			523-000004-39	910503701151		
	3500 K	523-000004-27	910503701004			523-000004-40	910503701152		
	4000 K	523-000004-19	910503700632			523-000004-41	910503701153		
220 – 240 VAC <i>Fixture and 10 ft (3 m) CE Leader Cable with terminator and strain relief</i>	2700 K	523-000004-20	910503700633			523-000004-42	910503701154		
	3000 K	523-000004-28	910503701005			523-000004-43	910503701155		
	3500 K	523-000004-29	910503701006			523-000004-44	910503701156		
	4000 K	523-000004-21	910503700634			523-000004-45	910503701157		

Use Item Number when ordering in North America.



## Accessories

Item	Type		Item Number	Philips 12NC
Leader Cable with terminator and strain relief	UL / cUL	10 ft (3 m)	108-000032-05	910503700893
	CE	10 ft (3 m)	108-000032-06	910503700894
Wiring Compartment with terminator	UL / cUL		120-000076-00	910503700597
Leader Cable with plug	UL / cUL	8 ft (2.4 m)	108-000032-03	910503700394
Jumper Cable	UL / cUL	1 ft (305 mm)	108-000033-06	910503700895
		5 ft (1.5 m)	108-000033-07	910503700896
	CE	1 ft (305 mm)	108-000033-08	910503700897
		5 ft (1.5 m)	108-000033-09	910503700898
Mounting Track, White	Qty 1	4 ft (1219 mm)	120-000125-00	910503701788

Use Item Number when ordering in North America.



Philips Color Kinetics  
3 Burlington Woods Drive  
Burlington, Massachusetts 01803 USA  
Tel 888.385.5742  
Tel 617.423.9999  
Fax 617.423.9998  
www.philipscolorkinetics.com

Copyright © 2009 – 2012 Philips Solid-State Lighting Solutions, Inc. All rights reserved.  
Chromacore, Chromasic, CK, the CK logo, Color Kinetics, the Color Kinetics logo, ColorBlast,  
ColorBlaze, ColorBurst, ColorGraze, ColorPlay, ColorReach, iW Reach, eW Reach, eW Fuse,  
DIMand, EssentialWhite, eW, iColor, iColor Cove, IntelliVWhite, iVX, iPlayer, Optibin, and Powercore  
are either registered trademarks or trademarks of Philips Solid-State Lighting Solutions, Inc. in  
the United States and / or other countries. All other brand or product names are trademarks  
or registered trademarks of their respective owners. Due to continuous improvements and  
innovations, specifications may change without notice. DAS-000068-05 R05 01-12