

eW COVE 0-10V DIMMING ADAPTER KIT

An ESSENTIALWHITE™ Product

The eW™ Cove 0-10V Dimming Adapter Kit brings dimming functionality to eW Cove fixtures. Using the eW Cove 0-10V Dimming Adapter Kit, one 0-10V dimmer can dim multiple runs of eW Cove fixtures.



Features

- Easy connection to power supply, leader cable, and 0-10V dimmer.
- Small size for mounting inside a junction box.
- Kit comes complete with Dimming Adapter, Dimming Leader Cable, DC Power Cable (for connection to standard 24VDC power supplies), and terminator.

DIMAND™
BY COLOR KINETICS



ITEM# 107-000007-01
eW Cove 0-10V Dimming Adapter Kit

This product is protected by one or more of the following patents: U.S. Patent Nos. 6,016,038, 6,150,774 and other patents listed at <http://colorkinetics.com/patents/>. Other patents pending.

©2006 Color Kinetics Incorporated. All rights reserved. Chromacore, Chromasic, Color Kinetics, the Color Kinetics logo, ColorBlast, ColorBlaze, ColorBurst, ColorCast, ColorPlay, ColorScape, Direct Light, iColor, iColor Cove, iPlayer, Optibin, Powercore, QuickPlay, Sauce, the Sauce logo, and Smartjuice are registered trademarks and DIMand, EssentialWhite, eW, IntelliWhite, iW, and Light Without Limits are trademarks of Color Kinetics Incorporated.

All other brand or product names are trademarks or registered trademarks of their respective owners.

BRO201 Rev 00

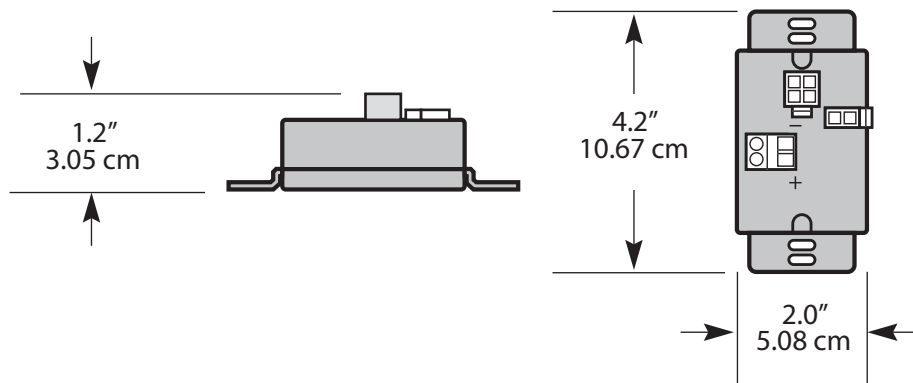
Specifications subject to change without notice. Refer to www.colorkinetics.com for the most recent data sheet versions.

eW COVE 0-10V DIMMING ADAPTER KIT SPECIFICATIONS

HOUSING	Molded black plastic with connectors on front Steel mounting plate Dimensions: 4.2" L x 2.0" W x 1.2" H (10.67 cm L x 5.08 cm W x 3.05 cm H)
CONNECTORS	Input: 2-position Connector (for PS-96 24V or any 24 VDC Class 2 UL 1310 Listed power supply), 2-position terminal block (for 0-10V Dimmer). Output: 4-position connector (for Dimming Leader Cable)
OPERATING CONDITIONS	Indoor rated
OPERATING TEMPERATURE	14°F to 122°F (-10°C to 50°C)

eW COVE 0-10V DIMMING ADAPTER KIT

PHYSICAL DIMENSIONS



eW Cove 0-10V Dimming Adapter Kit SPECIFICATIONS	
INPUT CONNECTORS	2-position connector (for PS-96 24V or any other 24 VDC Class 2 UL 1310 Listed power supply) 2-position terminal block (for 0-10V Dimmer)
OUTPUT CONNECTORS	4-position connector (for Dimming Leader Cable)

eW COVE 0-10V DIMMING ADAPTER KIT

FUNCTIONAL FLOW DIAGRAM

