



Date: _____ Type: _____

Firm Name: _____

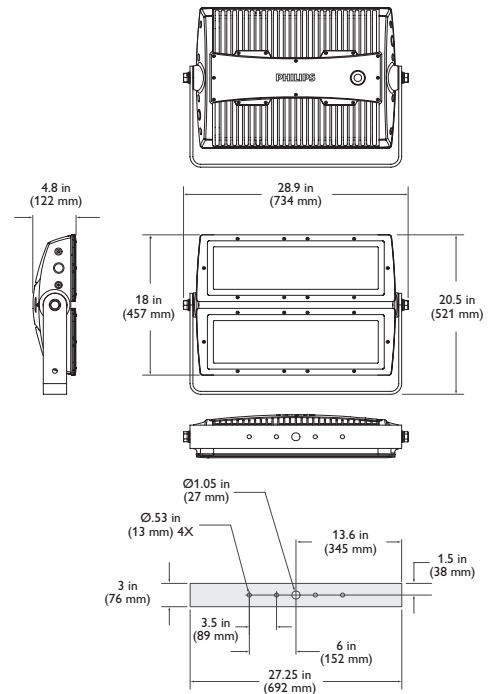
Project: _____

eColor Reach Powercore

Next-generation LED floodlight for signature façades and structure

eColor Reach Powercore is the first solid-color exterior architectural LED floodlight powerful enough to brilliantly and dynamically illuminate large architectural façades with blue, green, red, or amber light. eColor Reach Powercore combines all the benefits of LED-based lighting in an elegant fixture specifically designed for large-scale installations such as commercial skyscrapers, casinos, large retail exteriors, bridges, piers, public monuments, and themed attractions. This powerful fixture represents the next generation in exterior illumination.

- Integrates Powercore technology — Powercore rapidly, efficiently, and accurately controls power output to fixtures directly from line voltage, eliminating the need for an external power supply. Contractor-friendly installation dramatically simplifies installation and lowers total system cost.
- Versatile optics — Exchangeable spread lenses of 8°, 13°, 23°, 40°, 63°, and an asymmetric 5° x 17° support a variety of photometric distributions for a multitude of applications, including spotlighting, wall grazing, and asymmetric wall washing. Bezel and gasket ship with spread lenses for easy user installation.
- Unique split design — Spread lenses fit over each half of the fixture to support diffuser combinations. For instance, you could use one spread lens on the fixture's lower half to bathe a large façade with light at street level, and a different spread lens to project light hundreds of feet up the building's walls.
- Simple fixture positioning — Rugged, slim-profile mounting bracket allows flexible positioning and fixture rotation through a full 360°. Side locking bolts reliably secure fixture with standard wrench.



- Universal power input range — eColor Reach Powercore accepts a universal power input range of 100 – 240 VAC, allowing simple, location-independent installation.

For detailed product information, please refer to the eColor Reach Powercore Product Guide at www.colorkinetics.com/lis/essentialcolor/ecolorreach/

PHILIPS

Specifications

Due to continuous improvements and innovations, specifications may change without notice.

Item	Specification	Details
Output	Beam Angle	8° / 13° / 23° / 40° / 63° spread lenses, 5° x 17° asymmetric spread lens
Electrical	Input Voltage	100 – 240 VAC, auto-switching, 50 / 60 Hz
	Power Consumption	250 W maximum at full output, steady state
Control		On / Off
Physical	Dimensions (Height x Width x Depth)	20.5 x 28.9 x 4.8 in (521 x 734 x 122 mm)
	Weight	75 lb (34 kg)
	Effective Projected Area (EPA)	0.42 m ²
	Housing	Die-cast aluminium, powder-coated finish
	Lens	Tempered glass
	Fixture Connections	6 ft (1.8 m) unified power / data cable
	Temperature Ranges	-40° – 122° F (-40° – 50° C) Operating -4° – 122° F (-20° – 50° C) Startup -40° – 176° F (-40° – 80° C) Storage
Certification and Safety	Humidity	0 – 95%, non-condensing
	Certification	UL / cUL, FCC Class A, CE
	Environment	Dry / Damp / Wet Location, IP66

✳ For help estimating the light output and distribution of eColor lighting fixtures, please contact Philips Color Kinetics Applications Engineering Services at support@colorkinetics.com.



Fixtures and Accessories

Item	Type	Item Number	Philips 12NC
eColor Reach Powercore <i>Includes 6 ft (1.8 m) Leader Cable</i>	Red	523-000044-04	910503700767
	Green	523-000044-05	910503700768
	Blue	523-000044-06	910503700769
	Amber	523-000044-07	910503701423
Replacement Leader Cable 6 ft (1.8 m)	UL / cUL	108-000046-00	910503700621
	CE	108-000046-01	910503700622
Spread Lens with bezel	13°	120-000068-00	910503700506
	23°	120-000068-01	910503700507
	40°	120-000068-02	910503700508
	63°	120-000068-03	910503700509
	Asymmetric (5° x 17°)	120-000068-04	910503700510
	8°	120-000068-05	910503700511
Data Enabler Pro <i>For CE and Japan installations only</i>	3/4 in / 1/2 in NPT (US trade size conduit)	106-000004-00	910503701210
	PG21 / PG13 (metric size conduit)	106-000004-01	910503701211

Use Item Number when ordering in North America.



Philips Color Kinetics
3 Burlington Woods Drive
Burlington, Massachusetts 01803 USA
Tel 888.385.5742
Tel 617.423.9999
Fax 617.423.9998
www.philipscolorkinetics.com

Copyright © 2011 Philips Solid-State Lighting Solutions, Inc. All rights reserved.
Chromacore, Chromasic, CK, the CK logo, Color Kinetics, the Color Kinetics logo, ColorBlast, ColorBlaze, ColorBurst, ColorGraze, ColorPlay, ColorReach, iW Reach, eW Reach, eW Fuse, DIMand, EssentialWhite, eV, iColor, iColor Cove, IntelliWhite, iW, iPlayer, Optibin, and Powercore are either registered trademarks or trademarks of Philips Solid-State Lighting Solutions, Inc. in the United States and / or other countries. All other brand or product names are trademarks or registered trademarks of their respective owners. Due to continuous improvements and innovations, specifications may change without notice.

DAS-000093-01 R00 09-11