

DATA ENABLER



Color Kinetics® Data Enabler is a data formatting device specifically designed for Color Kinetics fixtures, featuring Powercore® digital power processing technology. Data Enabler's data drivers condition data supplied from Ethernet or DMX512 controllers, including Color Kinetics full line of controllers, to a format compatible with the fixtures. The integration of power and data simplifies wiring installations, and the selection of control configurations expands the versatility of the applications.

Data Enabler automatically accommodates a universal supply voltage ranging from 100 to 240 volts AC, 50/60 Hz where the maximum connected load does not exceed 20 Amps. The input and output line voltage connections are made to terminal blocks. Data Enabler is available for either DMX, for use with Color Kinetics controllers or third-party DMX512 controllers; or Ethernet, for use with Color Kinetics Light System Manager. All data connections are made using the input RJ45 terminal. For DMX applications, data can be daisy chained between multiple Data Enablers using the output RJ45 terminal.

Data Enabler is housed in a compact NEMA 4 (IP66) enclosure designed for use in wet locations and complies with National Electrical Code (NEC) requirements. Each Data Enabler features multiple conduit entries sized for 3/4-inch NPT 59/64" conduit.

FEATURES

- Economical
- Compact size
- Ease of installation
- Ethernet/DMX ready
- Wet/damp NEMA 4 housing
- Choice of intelligent data drivers



ITEM# 106-000003-04 (DMX)
106-000003-05 (Ethernet)

For use under one or more of the following patents: U.S. Patent Nos. 6,016,038, 6,150,774 and other patents listed at <http://colorkinetics.com/patents/>. Other patents pending.

©2004-2006 Color Kinetics Incorporated. All rights reserved. Chromacore, Chromasic, CK, the CK logo, Color Kinetics, the Color Kinetics logo, Color Kinetics The Leader in Intelligent Light, ColorBlast, ColorBlaze, ColorBurst, ColorCast, ColorPlay, ColorScape, DJMand, Direct Light, EssentialWhite, eW, iColor, iColor Cove, IntelliWhite, iW, iPlayer, Light Without Limits, Optibin, Powercore, QuickPlay, Sauce, the Sauce logo, and Smartjuice are either registered trademarks or trademarks of Color Kinetics Incorporated in the United States and/or other countries.

All other brand or product names are trademarks or registered trademarks of their respective owners.

BRO133 Rev 03

Specifications subject to change without notice. Refer to www.colorkinetics.com for the most recent version.

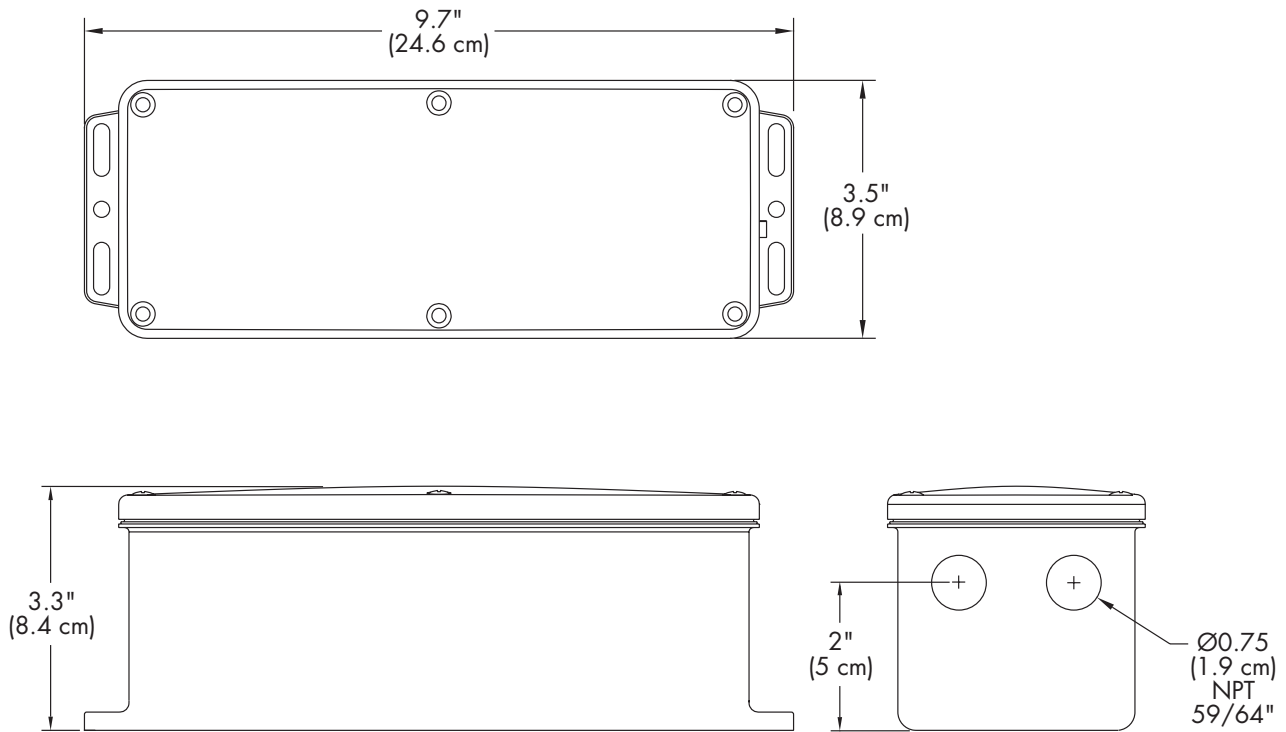
DATA ENABLER SPECIFICATIONS

POWER INPUT/OUTPUT	100-240VAC, 50-60 Hz Max. connected load should not exceed 20 Amps
INTERNAL LOAD	10 Watts
HEAT DISSIPATION	10 Watts Max.
AMBIENT OPERATING TEMP	-4°F to 122°F (-20°C to 50°C)
HOUSING	NEMA 4 enclosure, suitable for wet locations: 9.7" (24.6 cm) X 3.5" (8.9 cm) X 3.2" (8.1 cm)
CONNECTORS	Power In: 3-wire terminal block connector Power/Data Out: 4-wire terminal block connector
DATA INPUT INTERFACE	ETHERNET: Color Kinetics Light System Manager Ethernet DMX: Color Kinetics DMX controllers or DMX512 compatible
PROTECTION RATING	IP66
CLASSIFICATION	Class 1
LISTINGS	UL/cUL, CE

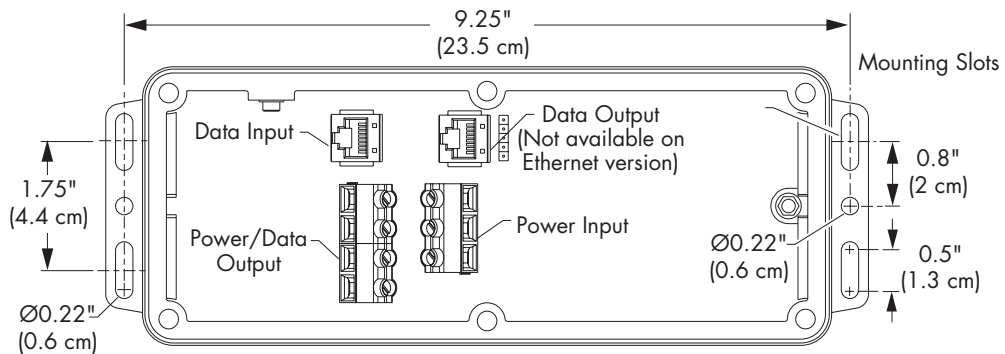
DATA ENABLER

PHYSICAL DIMENSIONS

OVERALL DIMENSIONS



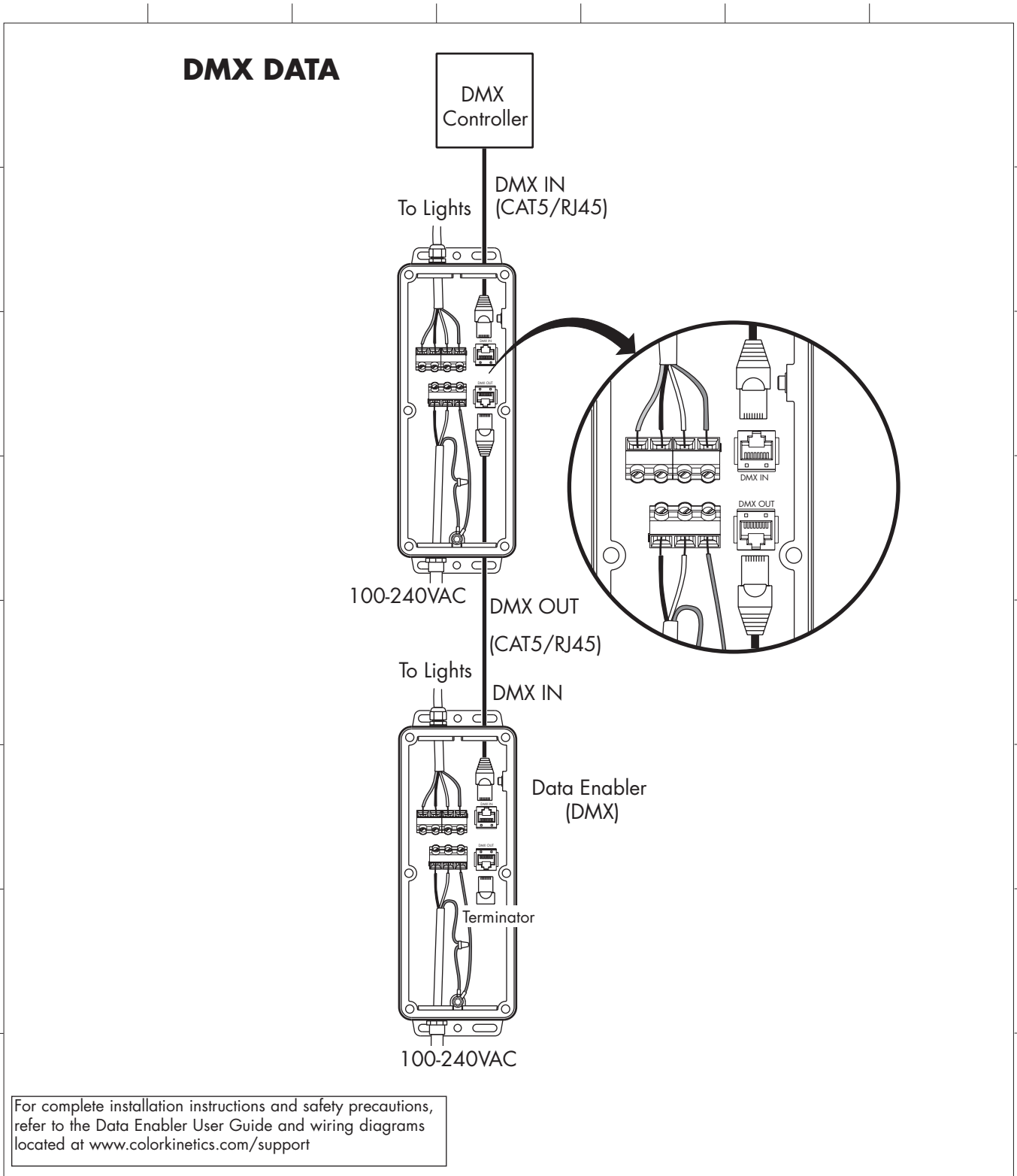
MOUNTING DIMENSIONS



DATA ENABLER ITEM # 106-000003-04/05	
DATA CONNECTOR	Input and output: RJ45
OUTPUT CONNECTOR	4-pin terminal block
SUPPLY CONNECTOR	3-pin terminal block
WEIGHT	Approx. 2.5 lbs. (2 kg)

DATA ENABLER

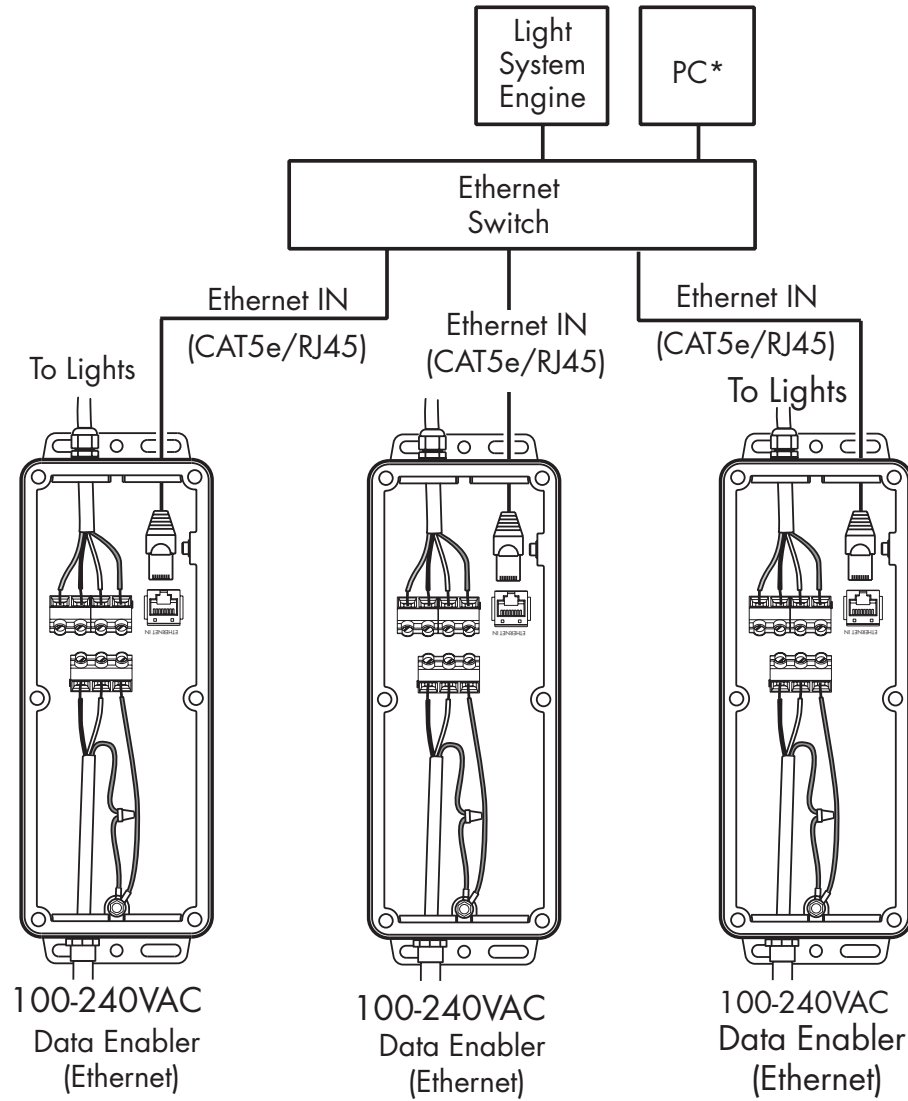
FUNCTIONAL FLOW DIAGRAM



DATA ENABLER

FUNCTIONAL FLOW DIAGRAM

ETHERNET DATA



* PC used for show authoring and show control.

For complete installation instructions and safety precautions, refer to the Data Enabler User Guide and wiring diagrams located at www.colorkinetics.com/support