

PDS-60ca 7.5V



FEATURES

- Economical
- Compact size
- Ease of installation
- Ethernet/DMX ready
- Preprogrammed interface
- Robust 62W power source
- Wet/Damp NEMA 4 housing



ITEM# 109-000015-00 (Preprogrammed)
109-000015-03 (DMX/Ethernet)

For use under one or more of the following patents:
U.S. Patent Nos. 6,016,038, 6,150,774, 6,777,891, and other
patents listed at <http://colorkinetics.com/patents/>.
Other patents pending.

©2003-2006 Color Kinetics Incorporated. All rights reserved.
Chromacore, Chromasic, CK, the CK logo, Color Kinetics, the
Color Kinetics logo, Color Kinetics The Leader in Intelligent
Light, ColorBlast, ColorBlaze, ColorBurst, ColorCast, ColorPlay,
ColorScape, DiMand, Direct Light, EssentialWhite, eW, iColor,
iColor Cove, IntelliWhite, iW, iPlayer, Light Without Limits, Optibin,
Powercore, QuickPlay, Sauce, the Sauce logo, and Smartjuice
are either registered trademarks or trademarks of Color Kinetics
Incorporated in the United States and/or other countries.

All other brand or product names are trademarks or registered
trademarks of their respective owners.

BR0128 Rev 07

Specifications subject to change without notice. Refer to
www.colorkinetics.com for the most recent version.

Color Kinetics® PDS-60ca 7.5V intelligent, indoor/outdoor, power/data supply is specifically designed for Color Kinetics 7.5 volt Chromasic® fixtures. PDS-60ca 7.5V provides a robust 62W power source and a choice of intelligent data interfaces. The available data interfaces condition data supplied from Ethernet or DMX512 controllers to a format compatible with the fixtures. PDS-60ca 7.5V is also available as a preprogrammed unit. The integration of power and data simplifies wiring installation, and the selection of control configurations expands the versatility of the PDS-60ca 7.5V.

PDS-60ca 7.5V DMX/ETHERNET. The DMX interface is used for installations using a DMX controller such as an iPlayer 2, ColorDial, or a third party DMX controller. The Ethernet interface is designed to work with Light System Manager or Video System Manager for large installations.

PDS-60ca 7.5V PREPROGRAMMED. The preprogrammed unit is best suited for installations using simple effects across all light nodes. The preprogrammed unit controls a maximum of 144 nodes. The preprogrammed shows are: Chasing Rainbow, Fixed Color, Color Wash, Random Fade, Tile Burst, and Tile Spiral.

PDS-60ca 7.5V is housed in a compact NEMA 4 (IP66) enclosure designed for use in wet locations and complies with National Electrical Code (NEC) requirements. Each PDS-60ca 7.5V features multiple standard conduit entries sized for 1/2-inch (15.8 mm) and 3/4-inch (20.9 mm) trade sized conduit. The data drive circuitry has been specifically designed with short circuit protection to prevent failures due to incorrect wiring.

PDS-60ca 7.5V automatically accommodates supply voltages ranging from 100VAC to 240VAC, which must be hard-wired to the supply. Color Kinetics 7.5V Chromasic fixtures are pre-attached connectors for easy fixture connection to output terminals. RJ45 data input accepts data from Ethernet or DMX Cat 5 data cables. If you use the DMX interface on the DMX/Ethernet power/data supply or if you use the Preprogrammed power/data supply, the data output connectors let you daisy-chain DMX data to other DMX supplies.

PDS-60ca 7.5V SPECIFICATIONS

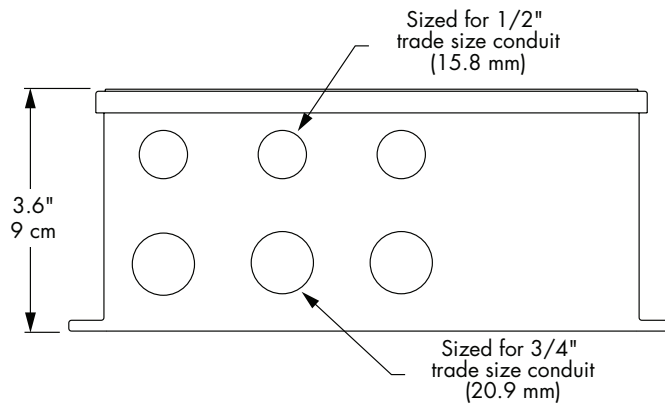
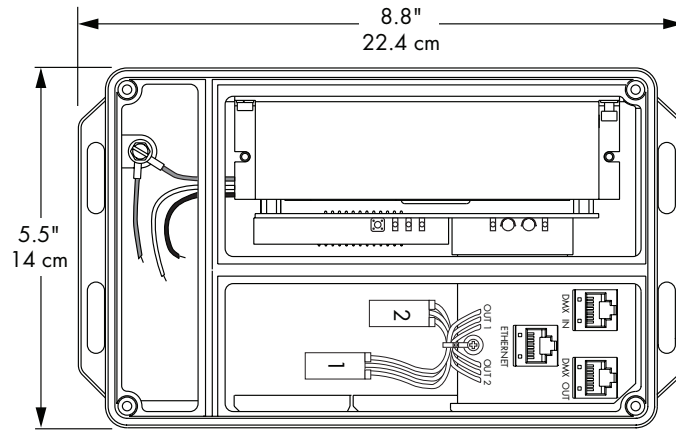
POWER OUTPUT	7.5VDC, 62W
POWER INPUT	100VAC-240VAC (auto ranging), 50Hz-60Hz; 1.7A Power factor correction (PFC)
HEAT DISSIPATION	25 percent of total power output
AMBIENT OPERATING TEMP	14°F to 104°F (-10°C to 40°C)
HOUSING	NEMA 4 enclosure
DIMENSIONS	8.8" (22.4 cm) x 5.5" (14 cm) x 3.6" (9 cm)
WEIGHT	4.5 lbs. (2 kg)
CONNECTORS	Data: RJ45 input and output connectors Power: 4-pin output connectors
DATA INPUT	DMX: Color Kinetics DMX controllers or DMX512 compatible Ethernet: Color Kinetics Light System Manager or Video System Manager Preprogrammed: No external data input
DATA OUTPUT	Chromasic 7.5V
PROTECTION RATING	IP66
FUSED PROTECTION	Two 4amp, 3AG fuses
CLASSIFICATION	Class 2
LISTINGS	UL/cUL, CE, PSE

PDS-60ca 7.5V

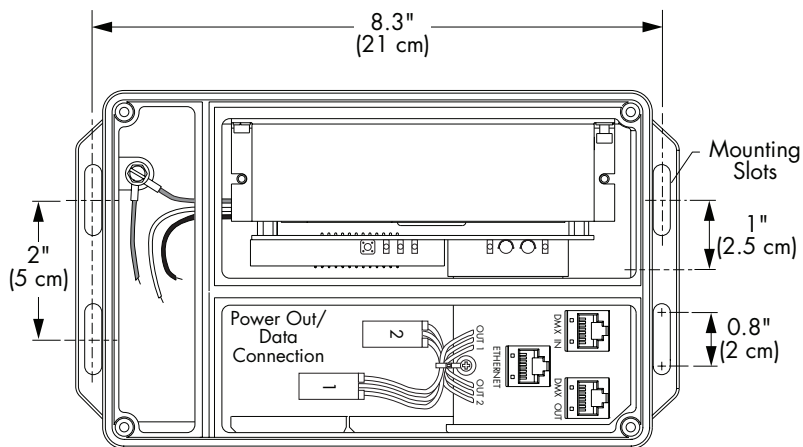
PHYSICAL DIMENSIONS

DMX/ETHERNET

OVERALL DIMENSIONS



MOUNTING DIMENSIONS



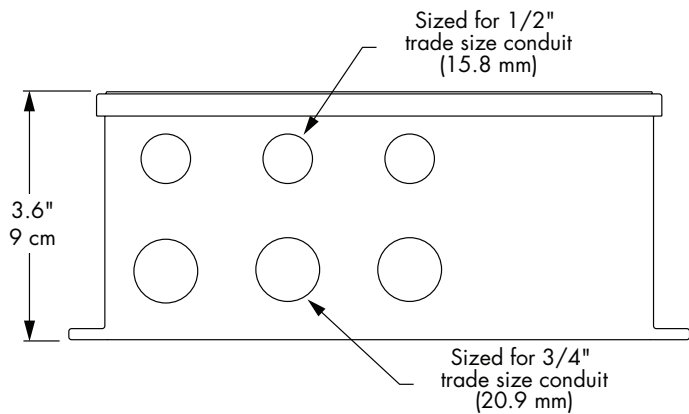
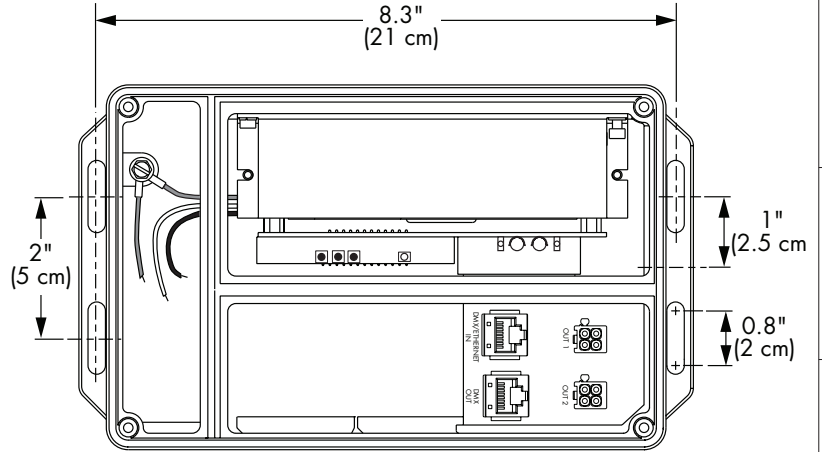
PDS-60ca 7.5V (DMX/Ethernet) ITEM # 109-000015-03	
DATA CONNECTOR	Input and output: RJ45
OUTPUT CONNECTOR	4-pin
SUPPLY CONNECTOR	Flying leads
WEIGHT	4.5 lbs. (2 kg)

PDS-60ca 7.5V

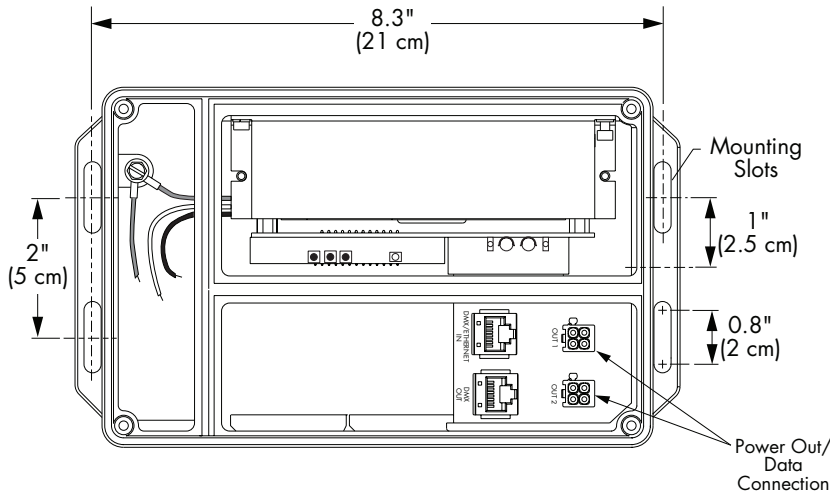
PHYSICAL DIMENSIONS

PREPROGRAMMED

OVERALL DIMENSIONS



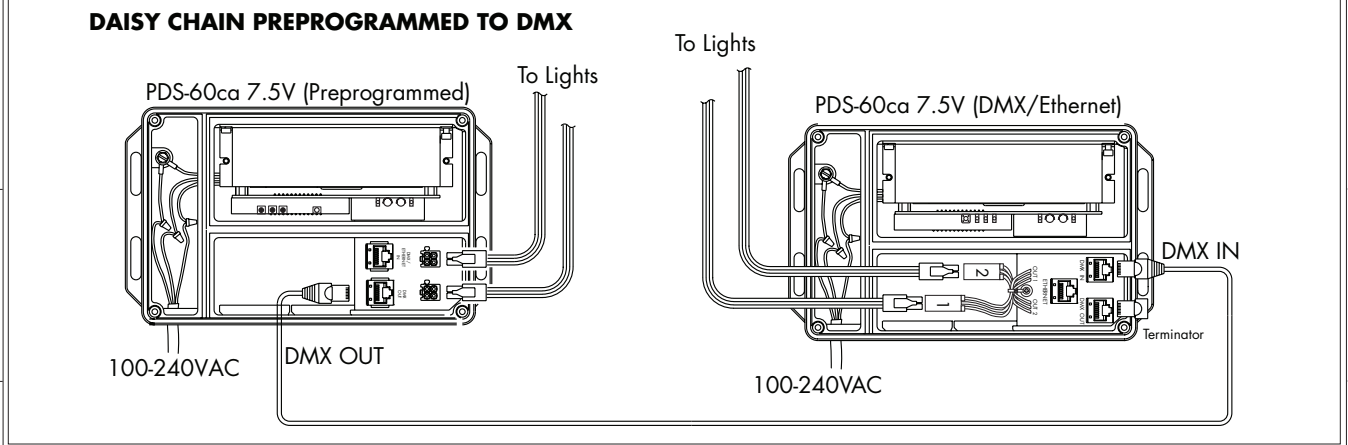
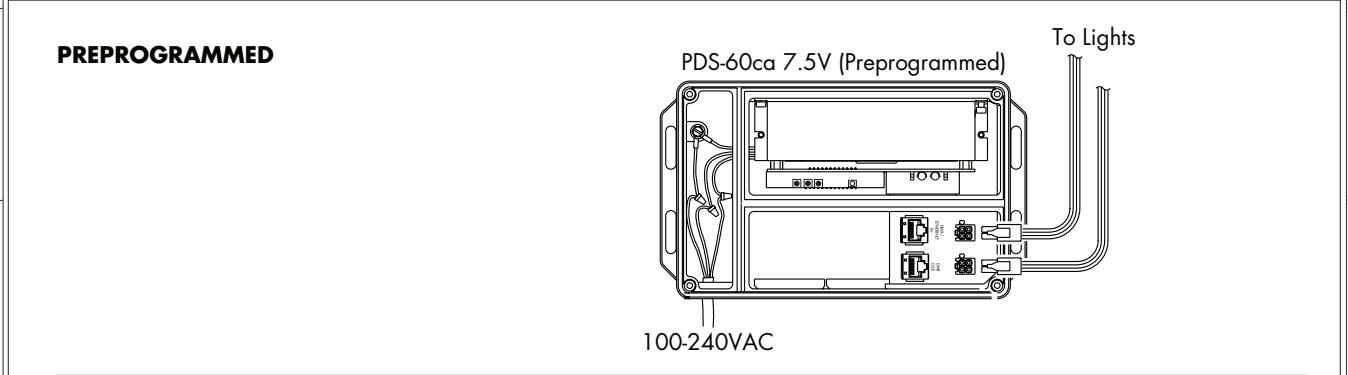
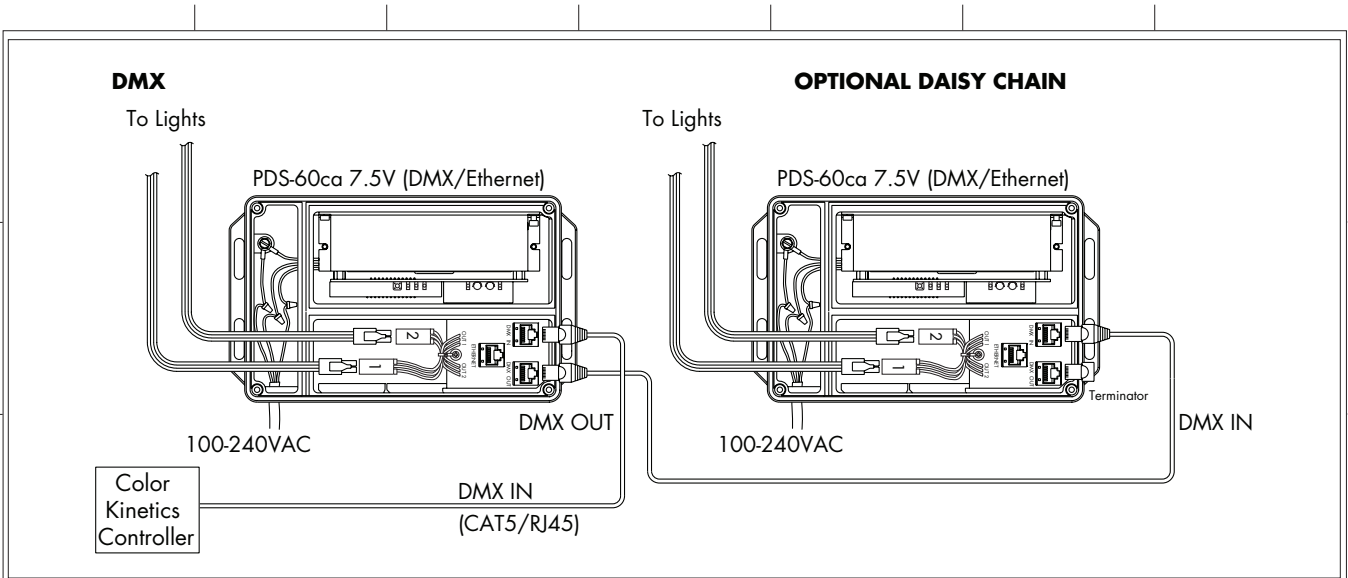
MOUNTING DIMENSIONS



PDS-60ca 7.5V (PREPROGRAMMED) ITEM # 109-000015-00	
DATA CONNECTOR	Input and output: RJ45
OUTPUT CONNECTOR	4-pin
SUPPLY CONNECTOR	Flying leads
WEIGHT	4.5 lbs. (2 kg)

PDS-60ca 7.5V

FUNCTIONAL FLOW DIAGRAM

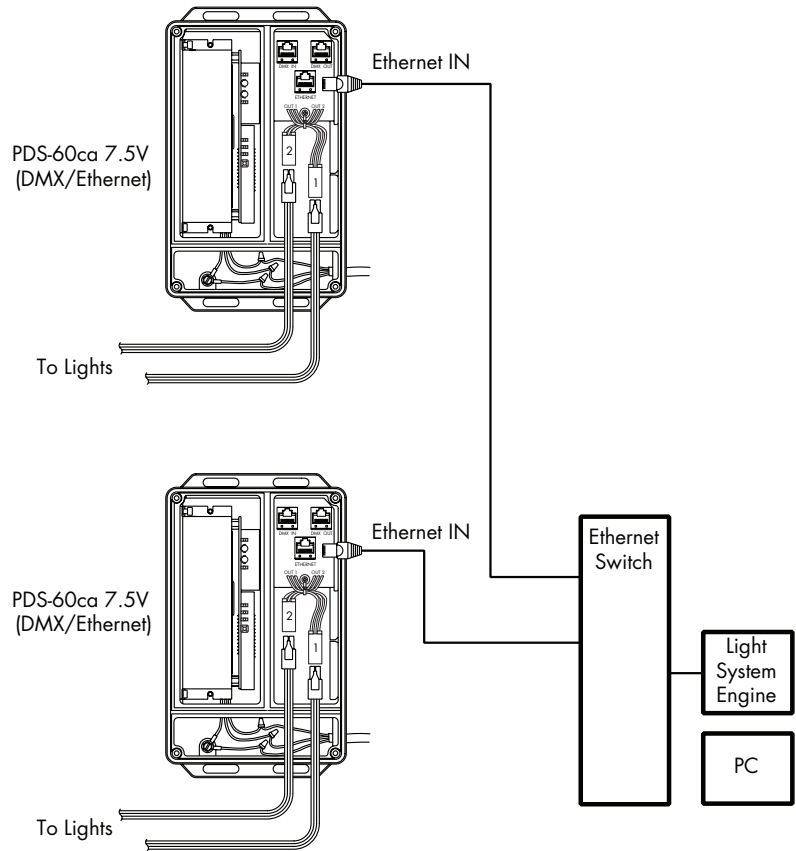


For complete installation instructions and safety precautions, refer to the PDS-60ca 7.5V/12V User Guide and wiring diagrams located at www.colorkinetics.com/support.

PDS-60ca 7.5V

FUNCTIONAL FLOW DETAIL

ETHERNET



For complete installation instructions and safety precautions, refer to the PDS-60ca 7.5V/12V User Guide and wiring diagrams located at www.colorkinetics.com/support.