

PDS-60 24V



FEATURES

- Economical
- Compact size
- Ease of installation
- DMX/Ethernet ready
- Preprogrammed interface
- Robust 62W power source
- Wet/damp NEMA 4 housing

CHROMACORE®
BY COLOR KINETICS



ITEM# 109-000017-00 (Preprogrammed)
109-000017-03 (DMX/Ethernet)

For use under one or more of the following patents: U.S. Patent Nos. 6,016,038, 6,150,774 and other patents listed at <http://colorkinetics.com/patents/>. Other patents pending.

©2004-2006 Color Kinetics Incorporated. All rights reserved. Chromacore, Chromasic, CK, the CK logo, Color Kinetics, the Color Kinetics logo, Color Kinetics The Leader in Intelligent Light, ColorBlast, ColorBlaze, ColorBurst, ColorCast, ColorPlay, ColorScape, DiMand, Direct Light, EssentialWhite, eW, iColor, iColor Cove, IntelliWhite, iW, iPlayer, Light Without Limits, Optibin, Powercore, QuickPlay, Sauce, the Sauce logo, and Smartjuice are either registered trademarks or trademarks of Color Kinetics Incorporated in the United States and/or other countries.

All other brand or product names are trademarks or registered trademarks of their respective owners.

BR0131 Rev 06

Specifications subject to change without notice. Refer to www.colorkinetics.com for the most recent version.

Color Kinetics® PDS-60 24V intelligent, indoor/outdoor, power/data supply is specifically designed for all Color Kinetics 24 Volt Chromacore® fixtures. The PDS-60 24V provides a robust 62W power source and a choice of intelligent data interfaces. The available data interfaces condition data supplied from Ethernet or DMX512 controllers to a format compatible with the fixtures. The integration of power and data simplifies wiring installation, and the selection of control configurations expands the versatility of the PDS-60 24V.

PDS-60 24V DMX/ETHERNET. The DMX interface is used for installations using a DMX controller such as iPlayer 2, ColorDial, or a third party DMX controller. The Ethernet interface is designed to work with Light System Manager and Video System Manager for large installations.

PDS-60 24V PREPROGRAMMED. The preprogrammed unit is best suited for installations using simple effects across all light nodes. The preprogrammed shows are: Chasing Rainbow, Fixed Color, Color Wash, and Random Fade.

The PDS-60 24V is housed in a compact NEMA 4 (IP66) enclosure designed for use in wet locations and complies with National Electrical Code (NEC) requirements. Each PDS-60 24V features multiple standard conduit entries for 1/2-inch (15.8 mm) and 3/4-inch (20.9 mm) NPT 59/64" (23.4 mm) conduit. The data drive circuitry has been specifically designed with short circuit protection to prevent failures due to incorrect wiring or installation.

The PDS-60 24V automatically accommodates supply voltages ranging from 100VAC to 240VAC, which must be hard-wired to the supply. Light fixtures are wired to two-piece locking connectors for easy fixture disconnection and reconnection to output terminals. RJ45 data input accepts data from Ethernet or DMX Cat 5 data cables. If you use the DMX interface on the DMX/Ethernet power/data supply or the Preprogrammed power/data supply, the data output connectors let you daisy-chain DMX data to other DMX supplies. The DMX/Ethernet power/data supply also has an Accessory Port that can power 24VDC controllers, such as the ColorDial™ or iPlayer® 2, directly from the PDS-60 24V.

PDS-60 24V SPECIFICATIONS

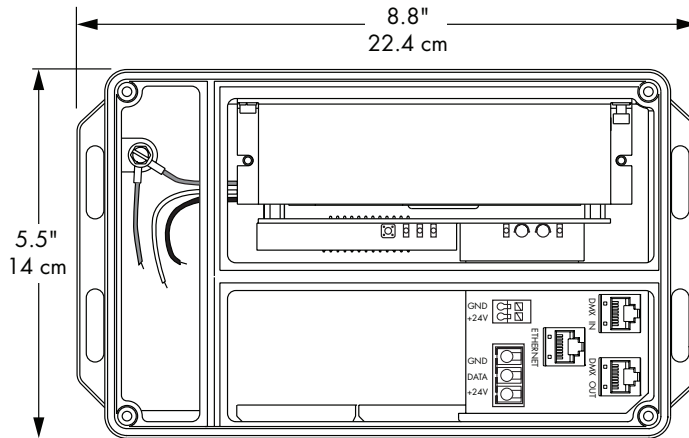
POWER OUTPUT	24VDC, 62W
POWER INPUT	100VAC-240VAC (auto ranging), 50–60Hz, 1.7A Power factor correction (PFC)
HEAT DISSIPATION	25 percent of total power output
AMBIENT TEMP	14°F to 104°F (-10°C to 40°C)
HOUSING	NEMA 4 enclosure
DIMENSIONS	8.8" (22.4 cm) x 5.5" (14 cm) x 3.6" (9 cm)
WEIGHT	4.5 lbs (2 kg)
CONNECTORS	Power/Data: RJ45 input and output connectors Power: 3-pin screw terminal Accessory Port: 2-pin spring terminal (DMX/Ethernet only)
DATA INPUT	DMX: Color Kinetics DMX controllers or DMX512 compatible Ethernet: Color Kinetics Light System Manager or Video System Manager Preprogrammed: No external data input
DATA OUTPUT	CKDMX
PROTECTION RATING	IP66
FUSED PROTECTION	Two 4Amp, 3AG fuses
CLASSIFICATION	Class 2

PDS-60 24V

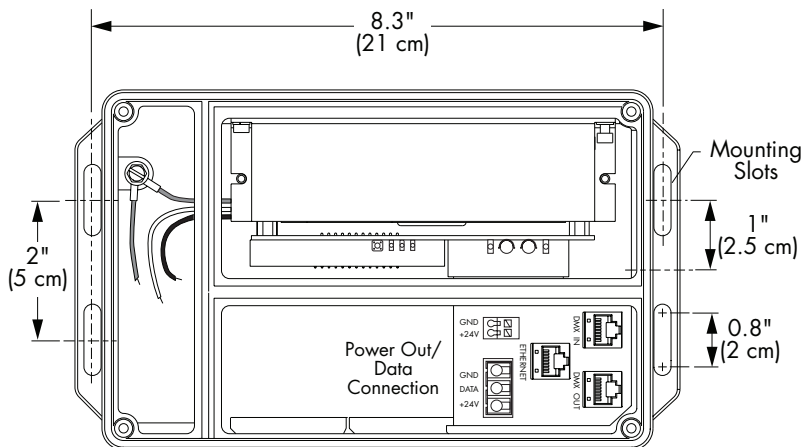
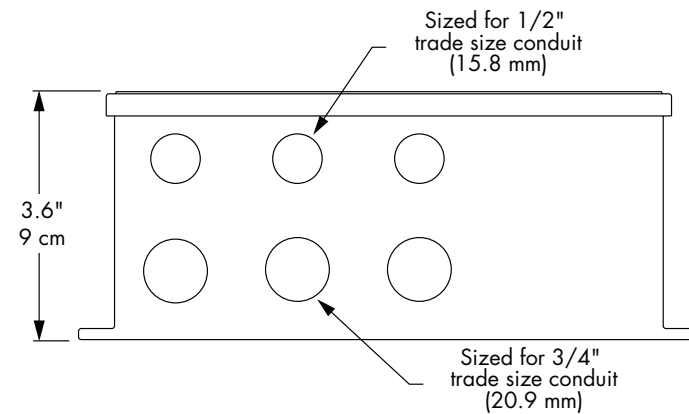
PHYSICAL DIMENSIONS

DMX/ETHERNET

OVERALL DIMENSIONS



MOUNTING DIMENSIONS



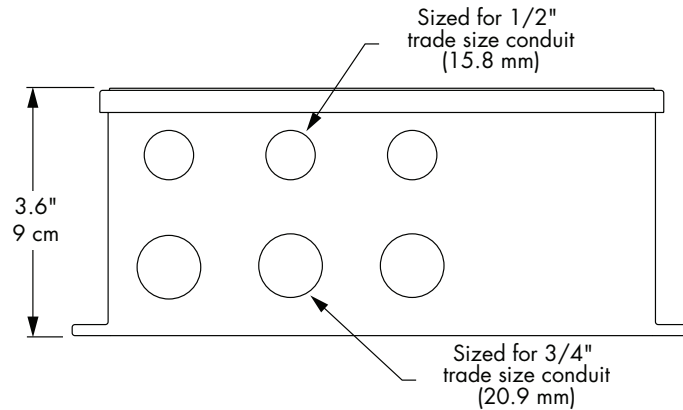
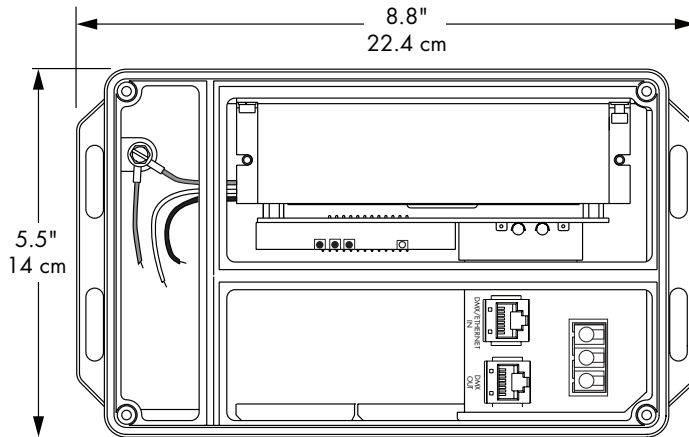
PDS-60 24V (DMX/Ethernet) ITEM # 109-000017-03	
DATA CONNECTOR	Input and output: RJ45
OUTPUT CONNECTOR	3-pin screw terminal
SUPPLY CONNECTOR	Flying leads
ACCESSORY POWER	2-pin spring terminal
WEIGHT	4.5 lbs. (2 kg)

PDS-60 24V

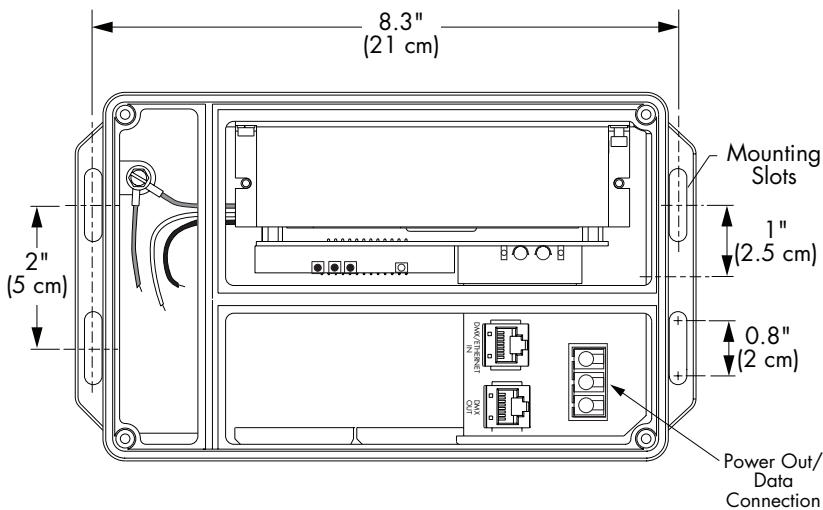
PHYSICAL DIMENSIONS

PREPROGRAMMED

OVERALL DIMENSIONS



MOUNTING DIMENSIONS

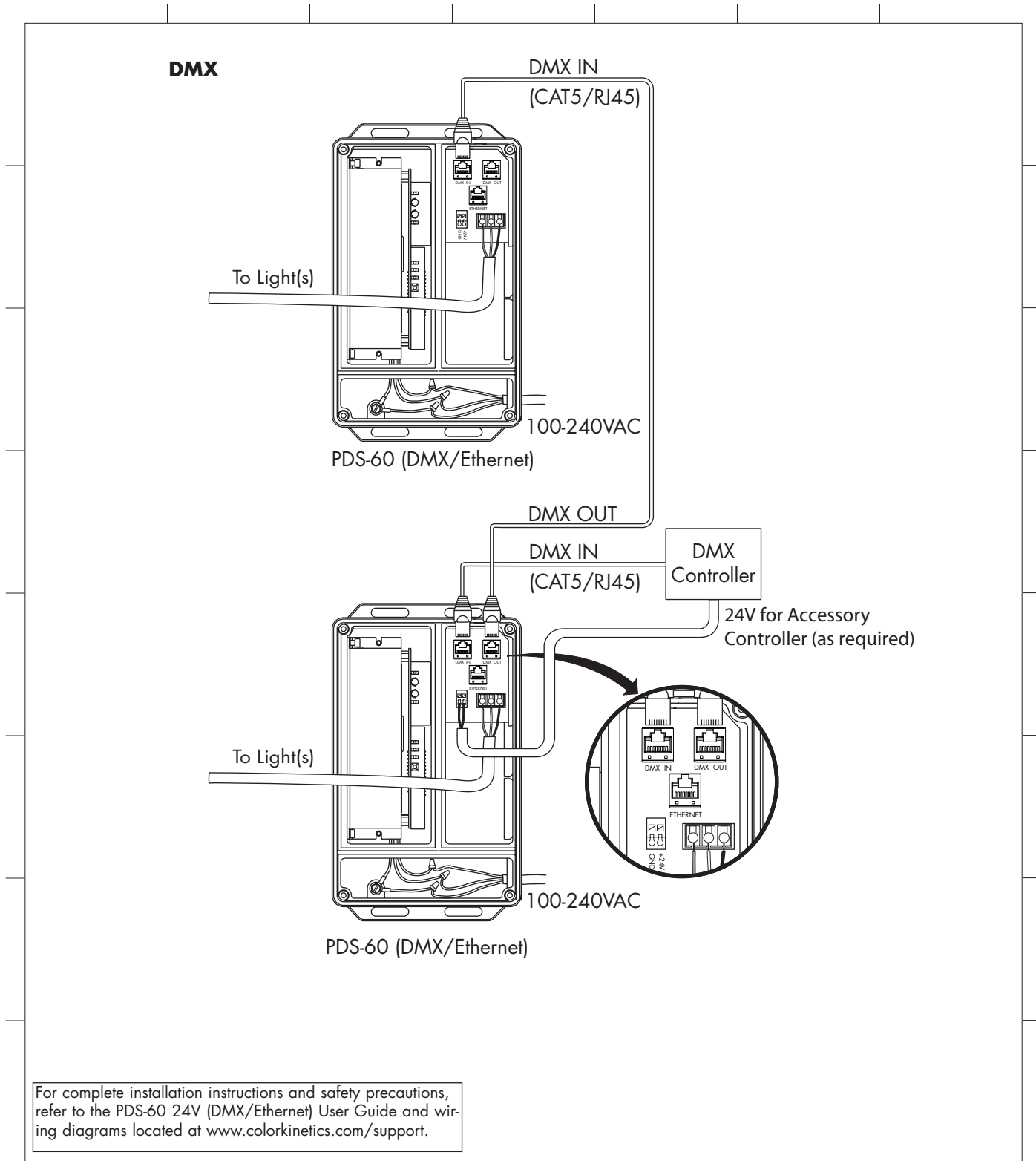


**PDS-60 24V (Preprogrammed)
ITEM # 109-000017-00**

DATA CONNECTOR	Input and output: RJ45
OUTPUT CONNECTOR	3-pin screw terminal
SUPPLY CONNECTOR	Flying leads
WEIGHT	4.5 lbs. (2 kg)

PDS-60 24V

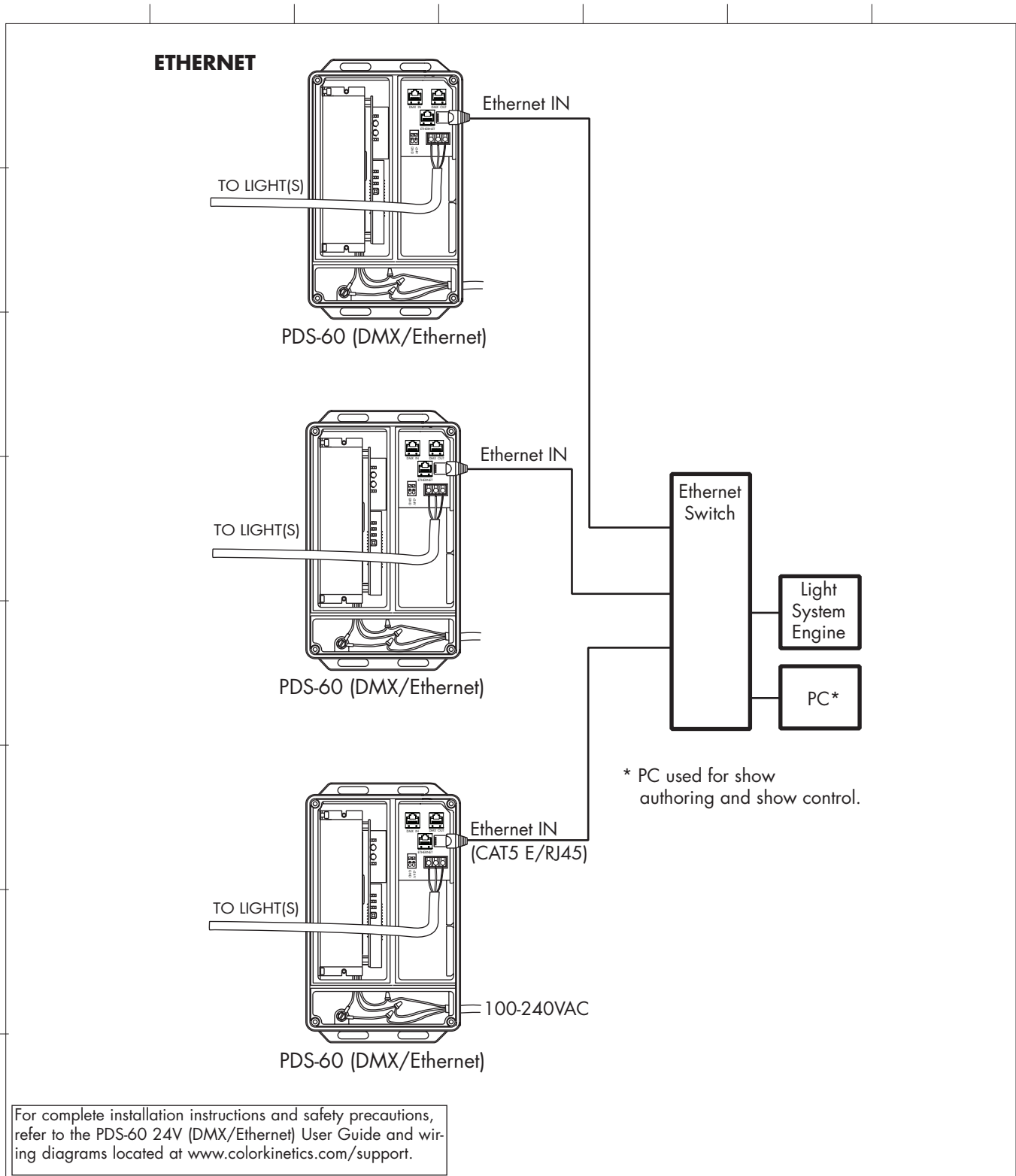
FUNCTIONAL FLOW DIAGRAM



For complete installation instructions and safety precautions, refer to the PDS-60 24V (DMX/Ethernet) User Guide and wiring diagrams located at www.colorkinetics.com/support.

PDS-60 24V

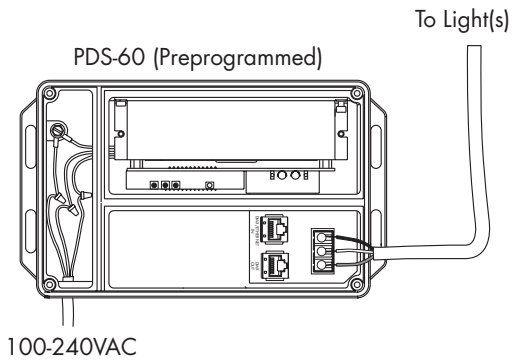
FUNCTIONAL FLOW DIAGRAM



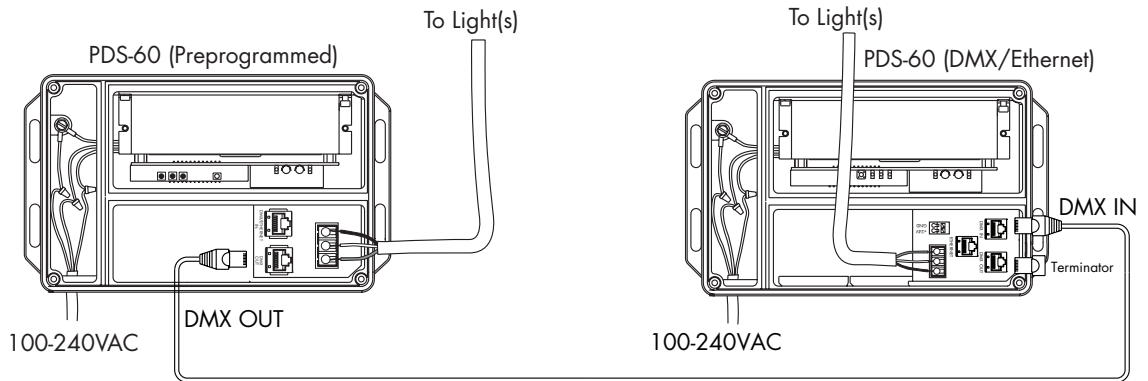
PDS-60 24V

FUNCTIONAL FLOW DIAGRAM

PREPROGRAMMED



DAISY CHAIN PREPROGRAMMED TO DMX



For complete installation instructions and safety precautions, refer to the PDS-60 24V (Preprogrammed) User Guide and wiring diagrams located at www.colorkinetics.com/support.