



Date: _____
Type: _____
Firm Name: _____
Project: _____



PDS-60ca

7.5V Pre-programmed

Power/data supply for indoor and outdoor applications

PDS-60ca 7.5 V Pre-programmed is a versatile power/data supply designed for indoor and outdoor LED lighting luminaires employing Chromasic technology from Philips Color Kinetics.

PDS-60ca

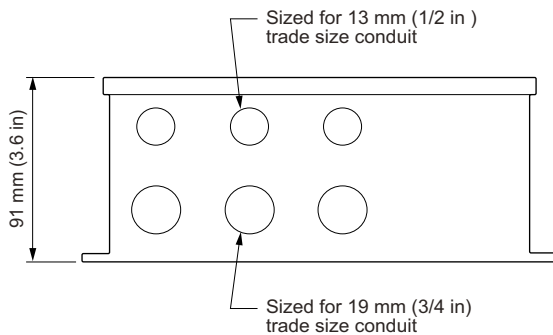
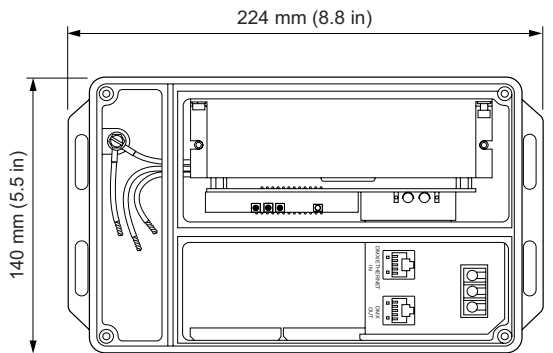
Power/data supply for indoor and outdoor applications

- PDS-60ca 7.5 V Pre-programmed features built-in visual effects, allowing configurations without Ethernet or DMX controllers.
- In runs with multiple power/data supplies, PDS-60ca 7.5 V Pre-programmed functions as a master control unit, delivering data to the other power/data supplies in the run. Use one PDS-60ca 7.5 V Pre-programmed unit per run, and standard PDS-60ca 7.5 V DMX/Ethernet units for all additional power/data supplies.
- PDS-60ca 7.5 V Pre-programmed delivers 62 watts of power output and automatically accommodates input voltages ranging from 100 to 240 VAC. Short-circuit protection prevents device failure due to incorrectly wired luminaires.
- Featuring a NEMA 4 (IP66) enclosure, PDS-60ca 7.5 V Pre-programmed installs in dry, damp, and wet locations.
- PDS-60ca 7.5 V Pre-programmed offers multiple standard-size conduit entries to accommodate 13 mm (1/2 in) and 19 mm (3/4 in) trade-sized conduit.

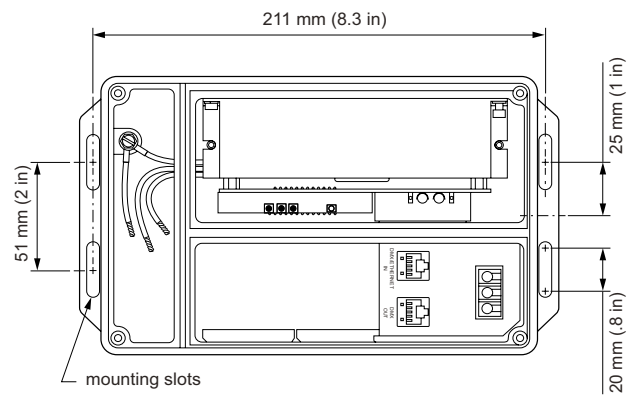
For detailed product information, please refer to the PDS-60ca 7.5 V Product Guide at www.colorkinetics.com/l/pds/pds60ca7.5/

Dimensions

Overall



Mounting



Specifications

Due to continuous improvements and innovations, specifications may change without notice.

Date: _____

Type: _____

Firm Name: _____

Project: _____



PDS-60ca
7.5V Pre-programmed

Electrical

Input Voltage	100 to 240 VAC, auto-ranging, 50/60 Hz
Power Consumption	1.7 A at 100 VAC
	1.5 A at 120 VAC
	0.75 A at 240 VAC
Power Output	7.5 VDC, 62 W maximum
Fuse Rating	(2) 5 A, 5 x 20 fast blow fuses

Connections

Data Input Source	Internal
Data	RJ-45 input and output connectors
Power Input	Line-neutral-ground cable, flying leads
Power Output	(2) 4-pin output receptacles

Physical

Dimensions <i>(Height x Width x Depth)</i>	91 x 140 x 224 mm (3.6 x 5.5 x 8.8 in)
Weight	2 kg (4.5 lb)
Housing Material	Cast aluminium enclosure
Finish	Powder-coated gray matte
Mounting	Slots for surface mounting
Compatible Luminaire	(144) iColor Flex MX gen2 nodes
Temperature Ranges	-10 to 40 °C (14 to 104 °F) Operating
	-10 to 50 °C (14 to 122 °F) Startup
	-40 to 80 °C (-40 to 176 °F) Storage
Humidity	0 to 95%, non-condensing
Cooling	Convection
Heat Dissipation	25% of total power input at maximum load

Certification and Safety

Certification	UL/cUL, CE, PSE
Classification	UL Class 2 power supply
Environment	Dry/Damp/Wet Location, IP66



Part numbers

Use Item Number when ordering in North America.

Power/Data Supply	Item Number	Philips 12NC
PDS-60ca 7.5V, Pre-programmed <i>Power/Data Supply, (3) EMI suppression cores, (2) spare fuses, and (8) NPT threaded seal plugs</i>	109-000015-00	910503700093

Additional Information

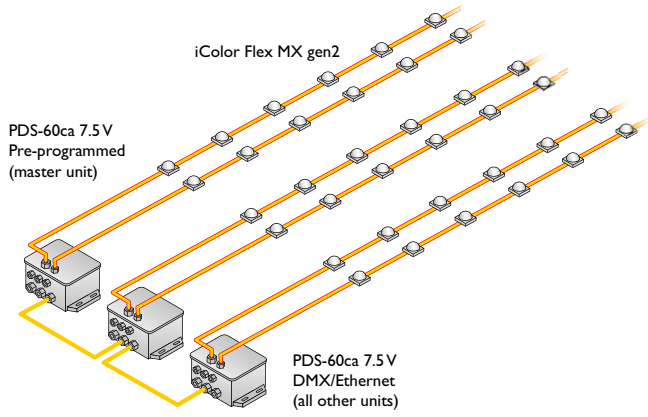
For device mounting and maintenance details, refer to the Installation Instructions included in the product packaging, or download documentation from www.colorkinetics.com/ls/pds/pds60ca7.5/.

PDS-60ca 7.5V wiring diagrams are available online at www.colorkinetics.com/support/wiring/.

For complete instructions on configuring the PDS-60ca 7.5V for use in an Ethernet or DMX environment, or using pre-configured controls, refer to the Addressing and Configuration Guide available online at www.colorkinetics.com/support/addressing/.

Installation Example

Typical Pre-Programmed Installation



Copyright © 2018 Philips Lighting Holding B.V., All rights reserved. Chromacore, Chromasic, CK, the CK logo, Color Kinetics, the Color Kinetics logo, ColorBlast, ColorBlaze, ColorBurst, ColorGraze, ColorPlay, ColorReach, iW Reach, eW Reach, DIMand, EssentialWhite, EvenBalance, eW, iColor, iColor Cove, IntelliWhite, iW, iPlayer, Optibin, and Powercore are either registered trademarks or trademarks of Philips Lighting Holding B.V. in the United States and/or other countries. All other brand or product names are trademarks or registered trademarks of their respective owners. Due to continuous improvements and innovations, specifications may change without notice.

DAS-000060-02 R03 04 May 2018



Philips Color Kinetics
www.colorkinetics.com