



Date: \_\_\_\_\_  
Type: \_\_\_\_\_  
Firm Name: \_\_\_\_\_  
Project: \_\_\_\_\_



# PDS-60ca

7.5V DMX/Ethernet

Power/data supply for indoor and outdoor applications

PDS-60ca 7.5 V is a versatile power/data supply designed for indoor and outdoor LED lighting luminaires employing Chromasic technology from Philips Color Kinetics. PDS-60ca 7.5 V is compatible with both Ethernet and DMX controllers.

# PDS-60ca

## Power/data supply for indoor and outdoor applications

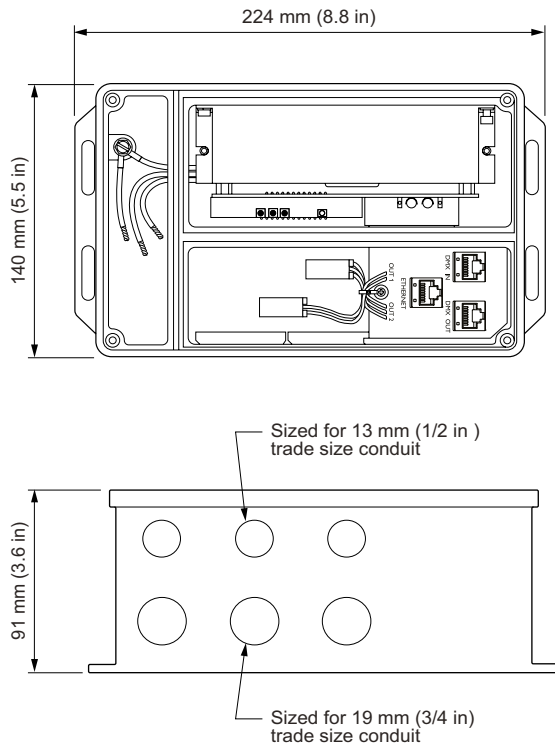
- PDS-60ca 7.5 V delivers 62 watts of power output and accommodates input voltages ranging from 100 VAC to 240 VAC. Short-circuit protection prevents device failure due to incorrectly wired luminaires.
- Featuring a NEMA 4 (IP66) enclosure, PDS-60ca 7.5 V installs in dry, damp, and wet locations.

- PDS-60ca 7.5 V offers multiple standard-size conduit entries to accommodate 1/2 in (13 mm) and 3/4 in (19 mm) trade-sized conduit.

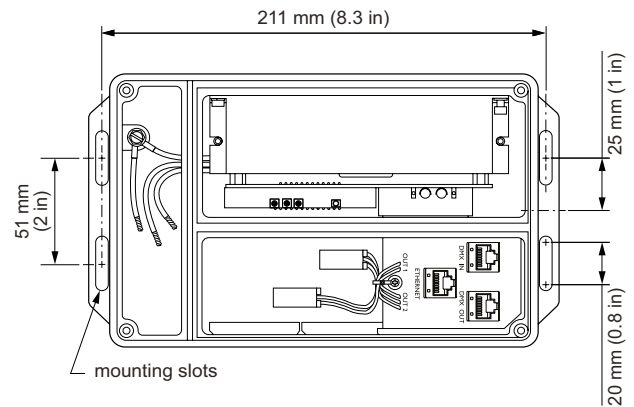
For detailed product information, please refer to the PDS-60ca Product Guide at <http://www.colorkinetics.com/ls/pds/pds60ca7.5/>.

## Dimensions

### Overall



### Mounting



# Specifications

Due to continuous improvements and innovations, specifications may change without notice.

Date: \_\_\_\_\_

Type: \_\_\_\_\_

Firm Name: \_\_\_\_\_

Project: \_\_\_\_\_



**PDS-60ca**  
7.5V DMX/Ethernet

## Electrical

Input Voltage	100 to 240 VAC, auto-ranging, 50/60 Hz
Power Consumption	1.7 A at 100 VAC
	1.5 A at 120 VAC
	0.75 A at 240 VAC
Power Output	7.5 VDC, 62 W maximum
Fuse Rating	(2) 5 A, 5 x 20 fast blow fuses

## Connections

Data Input Source	Philips full range of controllers, third-party DMX controllers, or KiNET-compatible* third-party Ethernet controllers
Data	RJ-45 input and output connectors
Power Input	Line-neutral-ground cable, flying leads
Power Output	(2) 4-pin output receptacles

## Physical

Dimensions <i>(Height x Width x Depth)</i>	91 x 140 x 224 mm (3.6 x 5.5 x 8.8 in)
Weight	2 kg (4.5 lb)
Housing Material	Cast aluminium enclosure
Finish	Powder-coated gray matte
Mounting	Slots for surface mounting
Compatible Luminaire	(144) iColor Flex MX gen2 nodes
Temperature Ranges	-10 to 40 °C (14 to 104 °F) Operating
	-10 to 50 °C (14 to 122 °F) Startup
	-40 to 80 °C (-40 to 176 °F) Storage
Humidity	0 to 95%, non-condensing
Cooling	Convection
Heat Dissipation	25% of total power input at maximum load

## Certification and Safety

Certification	UL/cUL, CE, PSE
Classification	UL Class 2 power supply
Environment	Dry/Damp/Wet Location, IP66



\* KiNET is the Ethernet lighting protocol from Philips Color Kinetics.

# Part numbers

Use Item Number when ordering in North America.

Power/Data Supply	Item Number	Philips 12NC
PDS-60ca 7.5V, DMX/Ethernet <i>Power/Data Supply, (3) EMI suppression cores, (2) spare fuses, and (8) NPT threaded seal plugs</i>	109-000015-03	910503700094

# Additional Information

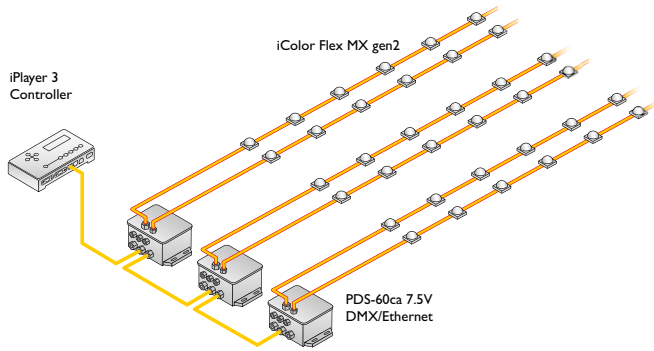
For device mounting and maintenance details, refer to the Installation Instructions included in the product packaging, or download documentation from [www.colorkinetics.com/ls/pds/pds60ca7.5/](http://www.colorkinetics.com/ls/pds/pds60ca7.5/).

PDS-60ca 7.5V wiring diagrams are available online at [www.colorkinetics.com/support/wiring/](http://www.colorkinetics.com/support/wiring/).

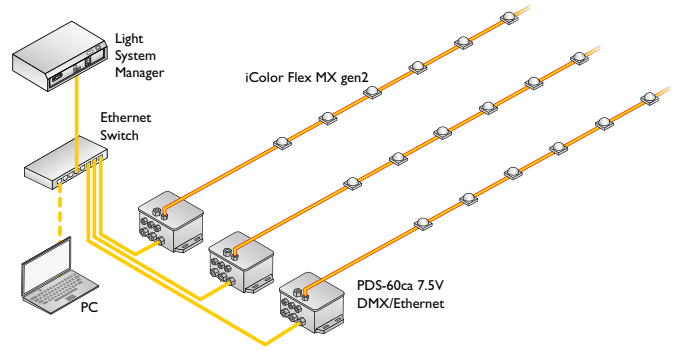
For complete instructions on configuring the PDS-60ca 7.5V for use in an Ethernet or DMX environment, or using pre-configured controls, refer to the Addressing and Configuration Guide available online at [www.colorkinetics.com/support/addressing/](http://www.colorkinetics.com/support/addressing/).

# Installation Examples

## Typical DMX Installation



## Typical Ethernet Installation



Copyright © 2018 Philips Lighting Holding B.V., All rights reserved. Chromacore, Chromasic, CK, the CK logo, Color Kinetics, the Color Kinetics logo, ColorBlast, ColorBlaze, ColorBurst, ColorGraze, ColorPlay, ColorReach, iW Reach, eW Reach, DIMand, EssentialWhite, EvenBalance, eW, iColor, iColor Cove, IntelliWhite, iW, iPlayer, Optibin, and Powercore are either registered trademarks or trademarks of Philips Lighting Holding B.V. in the United States and/or other countries. All other brand or product names are trademarks or registered trademarks of their respective owners. Due to continuous improvements and innovations, specifications may change without notice.

DAS-000060-01 R04 08 May 2018



Philips Color Kinetics  
[www.colorkinetics.com](http://www.colorkinetics.com)