



Date: \_\_\_\_\_  
Type: \_\_\_\_\_  
Firm Name: \_\_\_\_\_  
Project: \_\_\_\_\_



# PDS-60 24V

Pre-Programmed

Versatile power/data supply for indoor and outdoor applications

PDS-60 24V is a compact, rugged power/data supply designed for indoor and outdoor LED lighting installations using luminaires from Philips Color Kinetics. You can use the PDS-60 24V Pre-Programmed to control a full DMX universe without having to purchase an separate controller. Instantly cater to any mood or aesthetic by selecting from four customizable, onboard light shows.

# PDS-60 24V

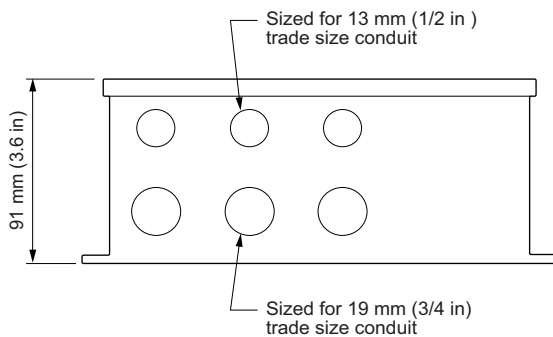
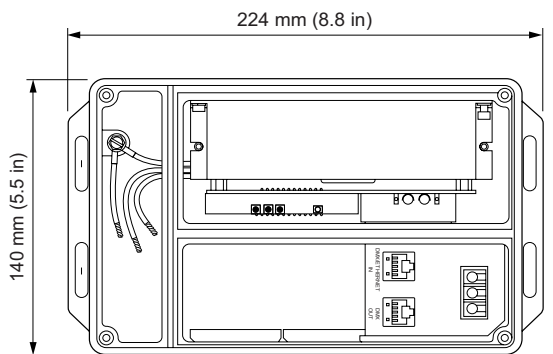
## Versatile power/data supply for indoor and outdoor applications

- Contains four pre-programmed light shows—Using onboard controls, you can select the Rainbow, Random Color, Color Wash, or Fixed Color built-in light show. User-configurable options—such as speed, color, or direction—allow you to customize the light show to instantly cater to any mood or aesthetic.
- No separate controller is needed—Because light shows are stored directly on the PDS-60 24V Pre-Programmed power/data supply, you can control your Philips Color Kinetics installation without purchasing a separate controller.
- Controls a full DMX universe—You can add as many PDS-60 24V DMX/Ethernet power/data supplies as you need to take advantage of a full 512 DMX addresses.
- Delivers 62 W of power output—Accommodates input voltages ranging from 100 VAC to 240 VAC. Short-circuit protection prevents device failure due to incorrectly wired fixtures.
- Suitable for indoor and outdoor use—Features a NEMA 4, IP66 enclosure, so you can mount the PDS-60 24V in on surfaces in dry, damp, and wet locations.
- Offers multiple standard-size conduit entries—Accommodates 13 mm (0.5 in) and 19mm (0.75 in) trade-sized conduit.

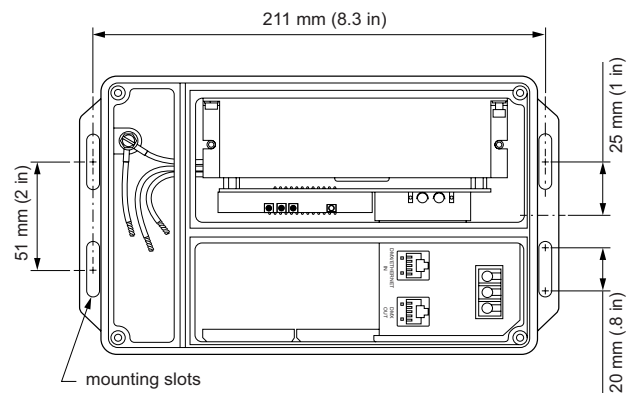
For detailed product information, please refer to the PDS-60 24V Product Guide at <http://www.colorkinetics.com/ls/pds/pds60/>.

## Dimensions

### Overall



### Mounting



# Specifications

Due to continuous improvements and innovations, specifications may change without notice.

Date: \_\_\_\_\_

Type: \_\_\_\_\_

Firm Name: \_\_\_\_\_

Project: \_\_\_\_\_



**PDS-60 24V**  
Pre-Programmed

## Electrical

Input Voltage	100 to 240 VAC, auto-ranging, 50/60 Hz
Power Consumption	1.7 A at 100 VAC 1.5 A at 120 VAC 0.75 A at 240 VAC
Power Output	24 VDC, 62 W maximum
Fuse Rating	(2) 4 A, 5 x 20 fast blow fuses

## Connections

Threaded Openings	19 mm (0.75 in), 13 mm (0.5 in) NPT
Data Input Source	Internal
Power Input	Line-neutral-ground cable, flying leads
Power Output	2-pin spring terminal

## Physical

Dimensions <i>(Height x Width x Depth)</i>	91 x 140 x 224 mm (3.6 x 5.5 x 8.8 in)
Weight	2 kg (4.5 lb)
Housing Material	Cast aluminium enclosure
Finish	Powder-coated gray matte
Mounting	Slots for surface mounting
Compatible Fixtures	(2) ColorBlast 6 (1) ColorBlast 12 (2) ColorBurst 6 (2) C-Splash 2
Temperature Ranges	-10 to 40 °C (14 to 104 °F) Operating -10 to 50 °C (14 to 122 °F) Startup -40 to 80 °C (-40 to 176 °F) Storage
Humidity	0 to 95%, non-condensing
Cooling	Convection
Airflow	Front panel input, back panel output
Heat Dissipation	25% of total power input at maximum load

## Certification and Safety

Certification	UL/cUL, CE, PSE, C-Tick, SAA
Classification	UL Class 2 power supply
Environment	Dry/Damp/Wet Location, IP66



# Part numbers

Use Item Number when ordering in North America.

Power/Data Supply	Item Number	Philips 12NC
PDS-60 24V, Pre-Programmed <i>Power/Data Supply, (3) EMI suppression cores, (2) spare fuses, and (8) NPT threaded seal plugs</i>	109-000017-00	910503700096

# Additional Information

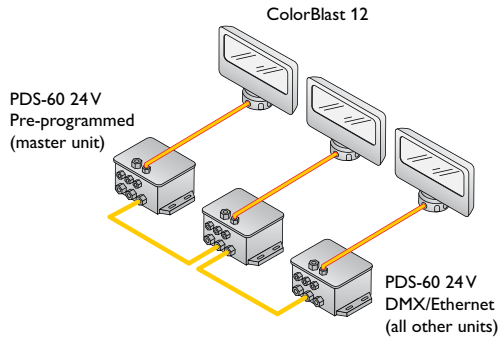
For device mounting and maintenance details, refer to the Installation Instructions included in the product packaging, or download documentation from [www.colorkinetics.com/ls/pds/pds60/](http://www.colorkinetics.com/ls/pds/pds60/).

PDS-60 24V wiring diagrams are available online at [www.colorkinetics.com/support/wiring/](http://www.colorkinetics.com/support/wiring/).

For complete instructions on configuring the PDS-60 24V for use in an Ethernet or DMX environment, or using pre-configured controls, refer to the Addressing and Configuration Guide available online at [www.colorkinetics.com/support/addressing/](http://www.colorkinetics.com/support/addressing/).

# Installation Example

## Typical Pre-Programmed Installation



Copyright © 2018 Philips Lighting Holding B.V., All rights reserved. Chromacore, Chromasic, CK, the CK logo, Color Kinetics, the Color Kinetics logo, ColorBlast, ColorBlaze, ColorBurst, ColorGraze, ColorPlay, ColorReach, iW Reach, eW Reach, DIMand, EssentialWhite, EvenBalance, eW, iColor, iColor Cove, IntelliWhite, iW, iPlayer, Optibin, and Powercore are either registered trademarks or trademarks of Philips Lighting Holding B.V. in the United States and/or other countries. All other brand or product names are trademarks or registered trademarks of their respective owners. Due to continuous improvements and innovations, specifications may change without notice.

DAS-000059-02 R04 9 May 2018



Philips Color Kinetics  
[www.colorkinetics.com](http://www.colorkinetics.com)