



Date: \_\_\_\_\_  
Type: \_\_\_\_\_  
Firm Name: \_\_\_\_\_  
Project: \_\_\_\_\_



# PDS-60 24V

## DMX/Ethernet

Versatile power/data supply for indoor and outdoor applications

PDS-60 24V is a compact, rugged power/data supply designed for indoor and outdoor LED lighting installations using luminaires from Philips Color Kinetics. Its versatility in providing both DMX and Ethernet options in one unit means the PDS-60 24V can be used in installations ranging from a single DMX universe to large Ethernet installations containing thousands of LED nodes.

# PDS-60 24V

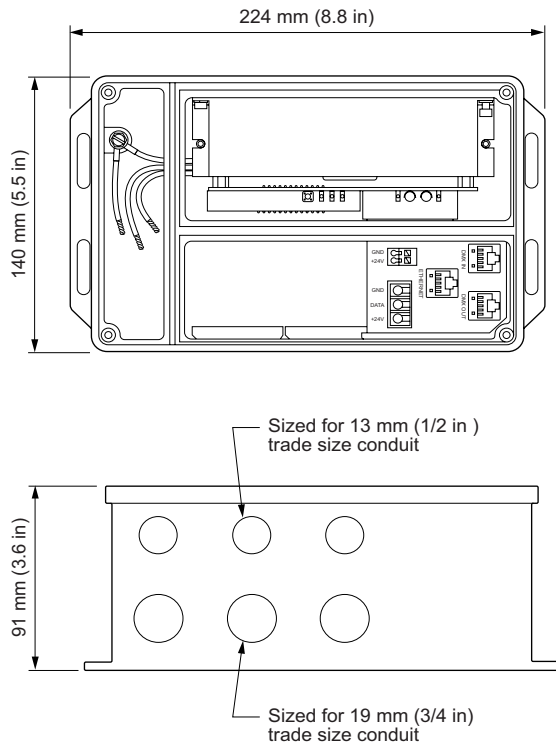
## Versatile power/data supply for indoor and outdoor applications

- Versatile use in DMX and Ethernet installations—PDS-60 24V can be used in LED lighting installations containing as little as a single DMX universe, but it's smart enough to detect when it's connected to an Ethernet installation. That also means that PDS-60 24V is compatible with every controller available from Philips Color Kinetics.
- Delivers 62 W of power output—Accommodates input voltages ranging from 100 VAC to 240 VAC. Short-circuit protection prevents device failure due to incorrectly wired fixtures.
- Suitable for indoor and outdoor use—Features a NEMA 4, IP66 enclosure, so you can mount the PDS-60 24V in on surfaces in dry, damp, and wet locations.
- Offers multiple standard-size conduit entries—Accommodates 13 mm (0.5 in) and 19mm (0.75 in) trade-sized conduit.

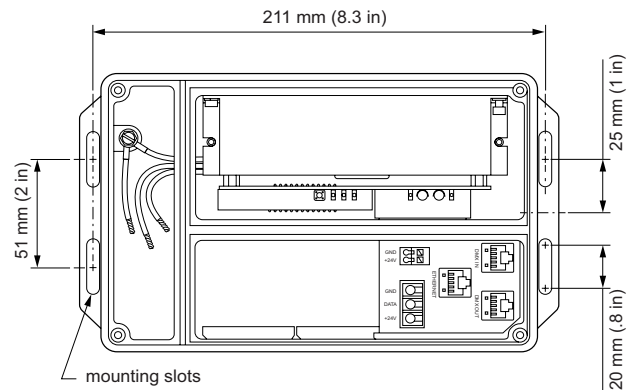
For detailed product information, please refer to the PDS-60 24V Product Guide at <http://www.colorkinetics.com/ls/pds/pds60/>.

## Dimensions

### Overall



### Mounting



# Specifications

Due to continuous improvements and innovations, specifications may change without notice.

Date: \_\_\_\_\_

Type: \_\_\_\_\_

Firm Name: \_\_\_\_\_

Project: \_\_\_\_\_



**PDS-60 24V**  
DMX/Ethernet

## Electrical

Input Voltage	100 to 240 VAC, auto-ranging, 50/60 Hz
Power Consumption	1.7 A at 100 VAC
	1.5 A at 120 VAC
	0.75 A at 240 VAC
Power Output	24 VDC, 62 W maximum
Fuse Rating	(2) 4 A, 5 x 20 fast blow fuses

## Connections

Threaded Openings	19 mm (0.75 in), 13 mm (0.5 in) NPT
Data Input Source	Philips full range of controllers, third-party DMX controllers, or KiNET-compatible* third-party Ethernet controllers
Data Input	RJ-45 input and output connectors
Data Output	RJ-45, 3-pin terminal block
Power Input	Line-neutral-ground cable, flying leads
Power Output	2-pin spring terminal

## Physical

Dimensions <i>(Height x Width x Depth)</i>	91 x 140 x 224 mm (3.6 x 5.5 x 8.8 in)
Weight	2 kg (4.5 lb)
Housing Material	Cast aluminium enclosure
Finish	Powder-coated gray matte
Mounting	Slots for surface mounting
Compatible Fixtures	(2) ColorBlast 6 (1) ColorBlast 12 (2) ColorBurst 6 (2) C-Splash 2
Temperature Ranges	-10 to 40 °C (14 to 104 °F) Operating -10 to 50 °C (14 to 122 °F) Startup -40 to 80 °C (-40 to 176 °F) Storage
Humidity	0 to 95%, non-condensing
Cooling	Convection
Airflow	Front panel input, back panel output
Heat Dissipation	25% of total power input at maximum load

## Certification and Safety

Certification	UL/cUL, CE, PSE, C-Tick, SAA
Classification	UL Class 2 power supply
Environment	Dry/Damp/Wet Location, IP66



\* KiNET is the Ethernet lighting protocol from Philips Color Kinetics.

## Part numbers

Use Item Number when ordering in North America.

Power/Data Supply	Item Number	Philips 12NC
PDS-60 24V, DMX/Ethernet <i>Power/Data Supply, (3) EMI suppression cores, (2) spare fuses, and (8) NPT threaded seal plugs</i>	109-000017-03	910503700097

## Additional Information

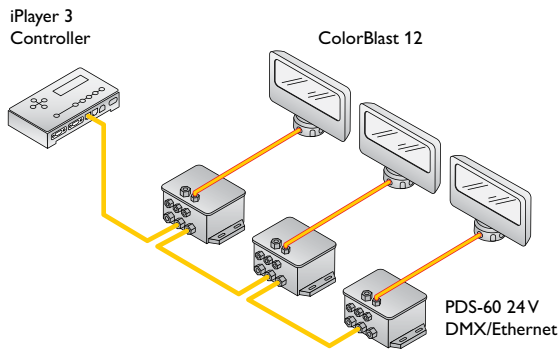
For device mounting and maintenance details, refer to the Installation Instructions included in the product packaging, or download documentation from [www.colorkinetics.com/ls/pds/pds60/](http://www.colorkinetics.com/ls/pds/pds60/).

PDS-60 24V wiring diagrams are available online at [www.colorkinetics.com/support/wiring/](http://www.colorkinetics.com/support/wiring/).

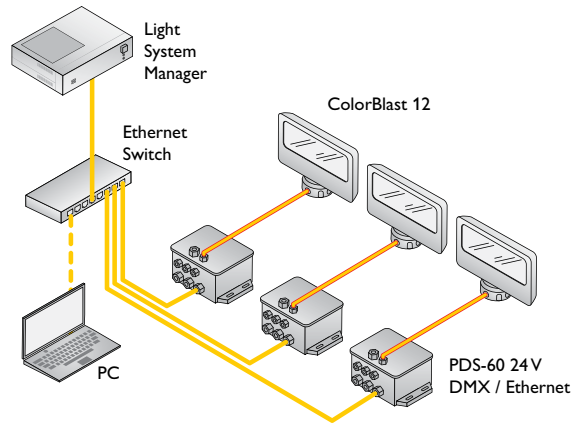
For complete instructions on configuring the PDS-60 24V for use in an Ethernet or DMX environment, or using pre-configured controls, refer to the Addressing and Configuration Guide available online at [www.colorkinetics.com/support/addressing/](http://www.colorkinetics.com/support/addressing/).

# Installation Examples

## Typical DMX Installation



## Typical Ethernet Installation



Copyright © 2018 Philips Lighting Holding B.V., All rights reserved. Chromacore, Chromasic, CK, the CK logo, Color Kinetics, the Color Kinetics logo, ColorBlast, ColorBlaze, ColorBurst, ColorGraze, ColorPlay, ColorReach, iW Reach, eW Reach, DIMand, EssentialWhite, EvenBalance, eW, iColor, iColor Cove, IntelliWhite, iW, iPlayer, Optibin, and Powercore are either registered trademarks or trademarks of Philips Lighting Holding B.V. in the United States and/or other countries. All other brand or product names are trademarks or registered trademarks of their respective owners. Due to continuous improvements and innovations, specifications may change without notice.

DAS-000059-01 R04 9 May 2018



Philips Color Kinetics  
[www.colorkinetics.com](http://www.colorkinetics.com)