

Date: _____ Type: _____

Firm Name: _____

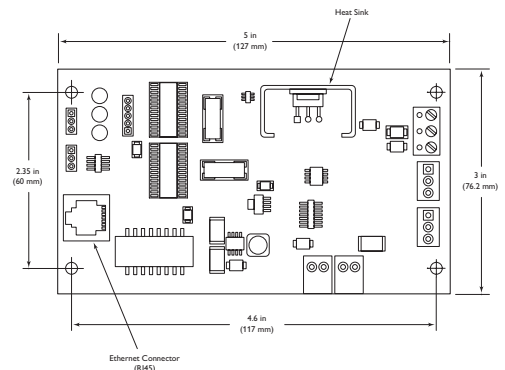
Project: _____

PDM-103

Compact, Ethernet-based power / data module for DLE's and fixtures

PDM-103 allows product designers to easily integrate RGB and IntelliWhite digital light engines with a wide variety of commercially available power supplies. It allows OEM partners to build power / data solutions for custom products and installations.

- Compact size — The module measures approximately 3 x 5 in (76 x 127 mm).
- Simple design and flexible implementation — The module's simple electrical and mechanical design allows you to directly integrate it into the fixture design or combine it with a third-party power supply to create a unified power / data supply.
- Compatible with common, commercially-available power supplies — PDM-103 supports all common standard 24VDC power supplies and allows for a variety of power distribution options.
- Ethernet compatible — Philips Color Kinetics Ethernet-based control protocol allows the PDM-103 to support a variety of useful system configuration and operation features. These features make system installations easy, regardless of the size of the configuration.
- Supports automatic discovery of Philips Color Kinetics LED fixtures — The PDM-103 supports auto-discovery of Philips Color Kinetics light engines and fixtures on the Ethernet network as well as remote addressing of the lights.



- Supports custom solutions — Use the PDM-103 to build a cost-effective power / data solution in combination with Philips Color Kinetics fixtures and light engines.
- Unrivalled expertise — PDM-103 is supported by Philips Color Kinetics comprehensive technical and sales support, allowing partners to benefit from Philips Color Kinetics' years of experience as an LED technology design leader. Philips Color Kinetics is available for design assistance, pre-installation planning, technical support and training.

PHILIPS

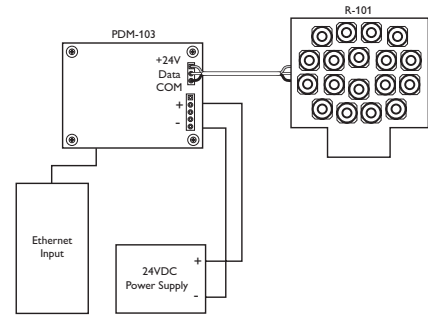
Specifications

Due to continuous improvements and innovations, specifications may change without notice.

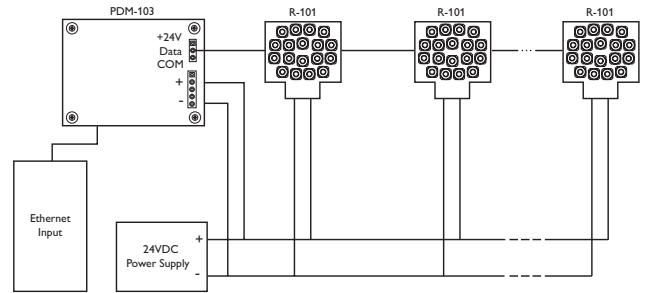
Item	Specification	Details	
Electrical	Input Voltage	24 VDC	
	Output Voltage	24 VDC	
Physical	Dimensions (Height x Width x Depth)	1.3 x 5 x 3 in (33 x 127 x 76 mm)	
	Connectors	Data Input	Ethernet via RJ45
		Voltage Output	Solder pad
		Voltage Input	Solder pads
		Power / Data Output	3-pin vertical header
		Compatible Output Connector	AMP/Tyco P/N: 640599-3
	Temperature Range	14° – 122° F (-10° – 50° C) Operating	
Heat Dissipation	Heat sink 1.2 in (31 mm) off board		

Ordering Information

Item	Item Number
PDM-103	118-000054-00
DLE R-101	118-000143-00
DLE C-101	118-000144-00
DLE C-301	118-000145-00



Typical Installation Using Color Kinetics PDM-103 Power / Data Module Single DLE



Typical Installation Using Color Kinetics PDM-103 Power / Data Module Multiple DLEs



Philips Color Kinetics
 3 Burlington Woods Drive
 Burlington, Massachusetts 01803 USA
 Tel 888.385.5742
 Tel 617.423.9999
 Fax 617.423.9998
www.philipscolorkinetics.com

Copyright © 2011 Philips Solid-State Lighting Solutions, Inc. All rights reserved.
 Chromacore, Chromasic, CK, the CK logo, Color Kinetics, the Color Kinetics logo, ColorBlast, ColorBlaze, ColorBurst, eW Fuse, ColorGraze, ColorPlay, ColorReach, iW Reach, eW Reach, DIMand, EssentialWhite, eW, iColor, iColor Cove, IntelliWhite, iW, iPlayer, Optibin, and Powercore are either registered trademarks or trademarks of Philips Solid-State Lighting Solutions, Inc. in the United States and / or other countries. All other brand or product names are trademarks or registered trademarks of their respective owners. Due to continuous improvements and innovations, specifications may change without notice. DAS-000091-02 R01 10-11