

POWER/DATA ADAPTER



Color Kinetics® Power/Data Adapter provides a convenient way to use C-200 WaterColor or other hardwired Color Kinetics fixtures with C-Series power supplies. The Power/Data Adapter contains a five-pin screw terminal block for direct connection to the power/data cable. The Adapter's RJ45 data port accepts data to control lighting colors and effects. The female BNC connector accepts power from C-Series power supplies. Power/Data Adapter is self-contained in a compact, black plastic housing.

POWER/DATA ADAPTER SPECIFICATIONS

HOUSING	Black plastic
CONNECTORS	RJ45 data input connector, BNC power input connector, five-pin screw terminal block power and data output connector

FEATURES

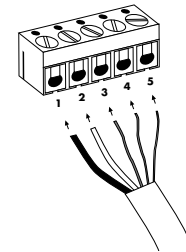
Compatible with all hardwired Color Kinetics products
Compact size

INSTRUCTIONS FOR USE

1. Open housing by inserting a small screwdriver into the slot on the side of the case and twisting to pry housing halves apart.
2. Attach wires to screw terminal block, following wiring diagram below.
3. Snap housing halves together.
4. Connect power to the BNC connector on the Power/Data Adapter.
5. Connect data to the RJ45 jack on the Power/Data Adapter.

POWER/DATA ADAPTER WIRING DIAGRAM

TERMINAL	WIRE COLOR
1	Black (Ground)
2	White (+24VDC)
3	Red (Data +)
4	Green (Data -)
5	Bare (Shield)



ONE YEAR LIMITED HARDWARE WARRANTY

Color Kinetics Incorporated warrants its products, if properly used and installed, will be free from defects in materials and workmanship and will substantially conform to Color Kinetics' publicly available specifications for a period of one (1) year after the date the product was purchased by the end user.

If the product fails during the warranty period, purchaser's remedy under this limited warranty shall be at Color Kinetics sole election:

- Repair the product by means of hardware and/or software or
- Replace the product with another product or
- If Color Kinetics is unable to repair or replace the particular product, refund the then current value of the product.

This limited warranty does not cover damages due to external causes, including, but not limited to, accident, problems with electrical power, usage not in accordance with product instructions, misuse, neglect, modification, repair, improper installation, or improper testing. Color Kinetics is not responsible for indirect, incidental, or consequential damages resulting from any breach of warranty or under any other legal theory including, but not limited to, lost profits, downtime, goodwill, damage to or replacement of equipment and property.

To obtain warranty service, you may contact your distributor in accordance with its instructions, or you may contact Color Kinetics. To request warranty service you should call Color Kinetics during the warranty period. Proof of purchase or registration is required. When calling within warranty, please provide:

- 1) Your name, shipping address, and telephone number
- 2) A description of the model and serial number
- 3) An explanation of the problem

A Return Authorization (RA) number & ship-to address will be provided to send the product back.

The warranty and remedies set forth above are exclusive and in lieu of all others, whether oral or written, express or implied. Color Kinetics specifically disclaims any and all implied warranties, including, without limitation, warranties of merchantability and fitness for a particular purpose. No Color Kinetics distributor, dealer, agent or employee is authorized to make any modification, extension, or addition to this warranty. This warranty gives you specific legal rights, and you may also have other rights that vary from jurisdiction to jurisdiction.

SOURCE LIFE

Color Kinetics illumination products utilize high brightness LEDs as the illumination source. LED manufacturers predict LED life of up to 100,000 hours MTBF (mean time between failure), the standard used by conventional lamp manufacturers to measure source life. However, like all basic light sources, LEDs also experience lumen depreciation over time. So while LEDs can emit light for an extremely long period of time, MTBF is not the only consideration in determining useful life. LED lumen depreciation is affected by numerous environmental conditions such as ambient temperature, humidity and ventilation. Lumen depreciation is also affected by means of control, thermal management, current levels, and a host of other electrical design considerations.

Color Kinetics systems are expertly engineered to optimize LED life when used under normal operating conditions [ambient temperature: -4° F to 104° F (-20° C to 40° C), humidity: 0-95% non-condensing humidity, adequate ventilation and air volume] and when operated using typical color-changing effects. Long-term operation outside of these ranges or conditions, or at the upper limits of these ranges or conditions, may subject the product to further degradation of the LED source life, or in extreme cases, failure of internal components. Source life information is based on LED manufacturers' data, as well as other third party testing.

ITEM# 104-00006-00

FOR USE UNDER U.S. PATENTS 6,016,038 AND 6,150,774
OTHER PATENTS PENDING

©2001-2002 Color Kinetics Incorporated. All rights reserved.
Chromacore, Color Kinetics, the Color Kinetics logo, ColorBlast, ColorPlay, iColor, iPlayer, and Smartjuice are registered trademarks, and ColorScape, iColor Cove, and QuickPlay are trademarks of Color Kinetics Incorporated.

All other brand or product names are trademarks or registered trademarks of their respective owners.

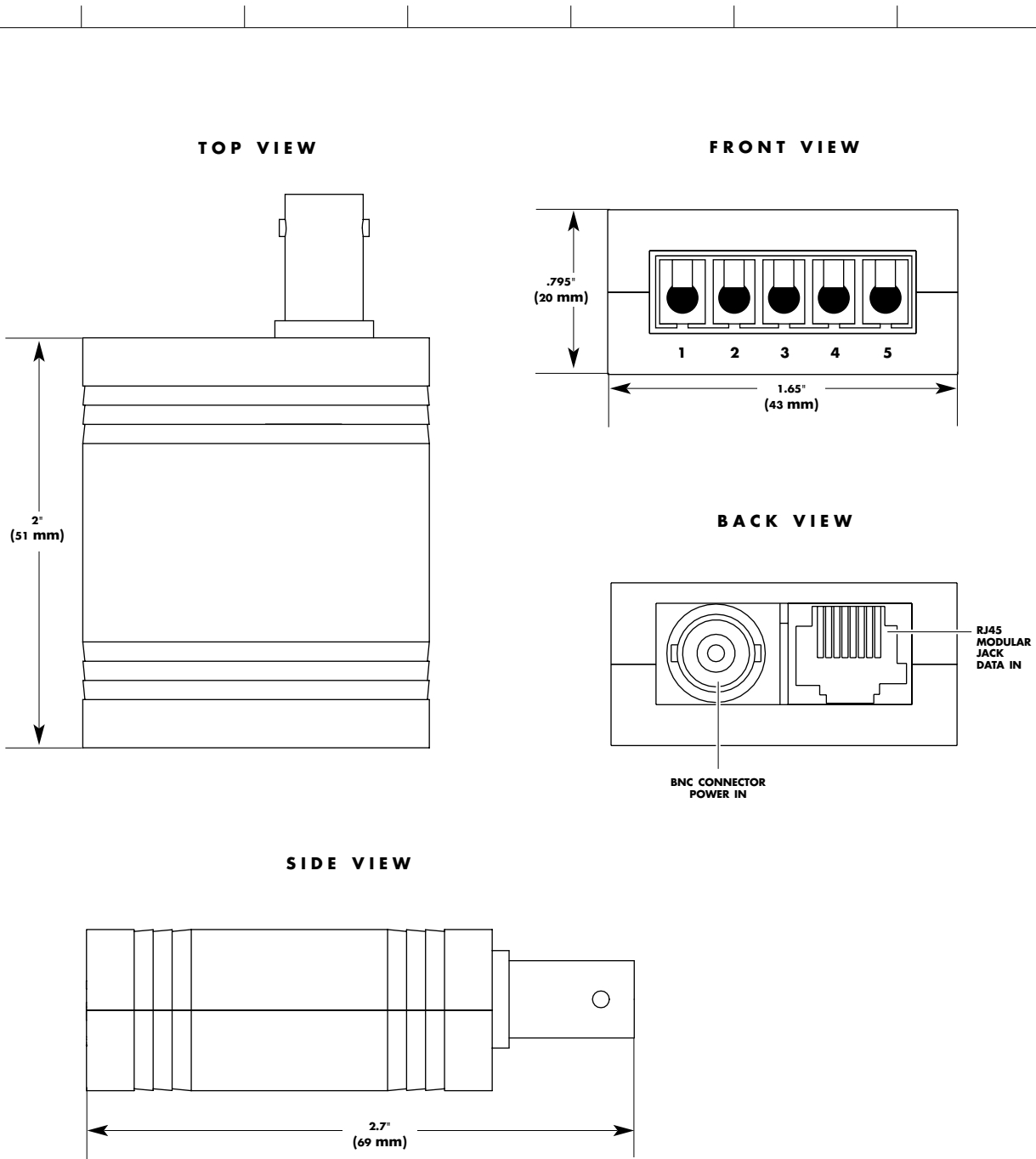
BR0016 Rev 05

Specifications subject to change without notice.

WARNING: The power must be OFF before installing or removing the product.

POWER DATA ADAPTER

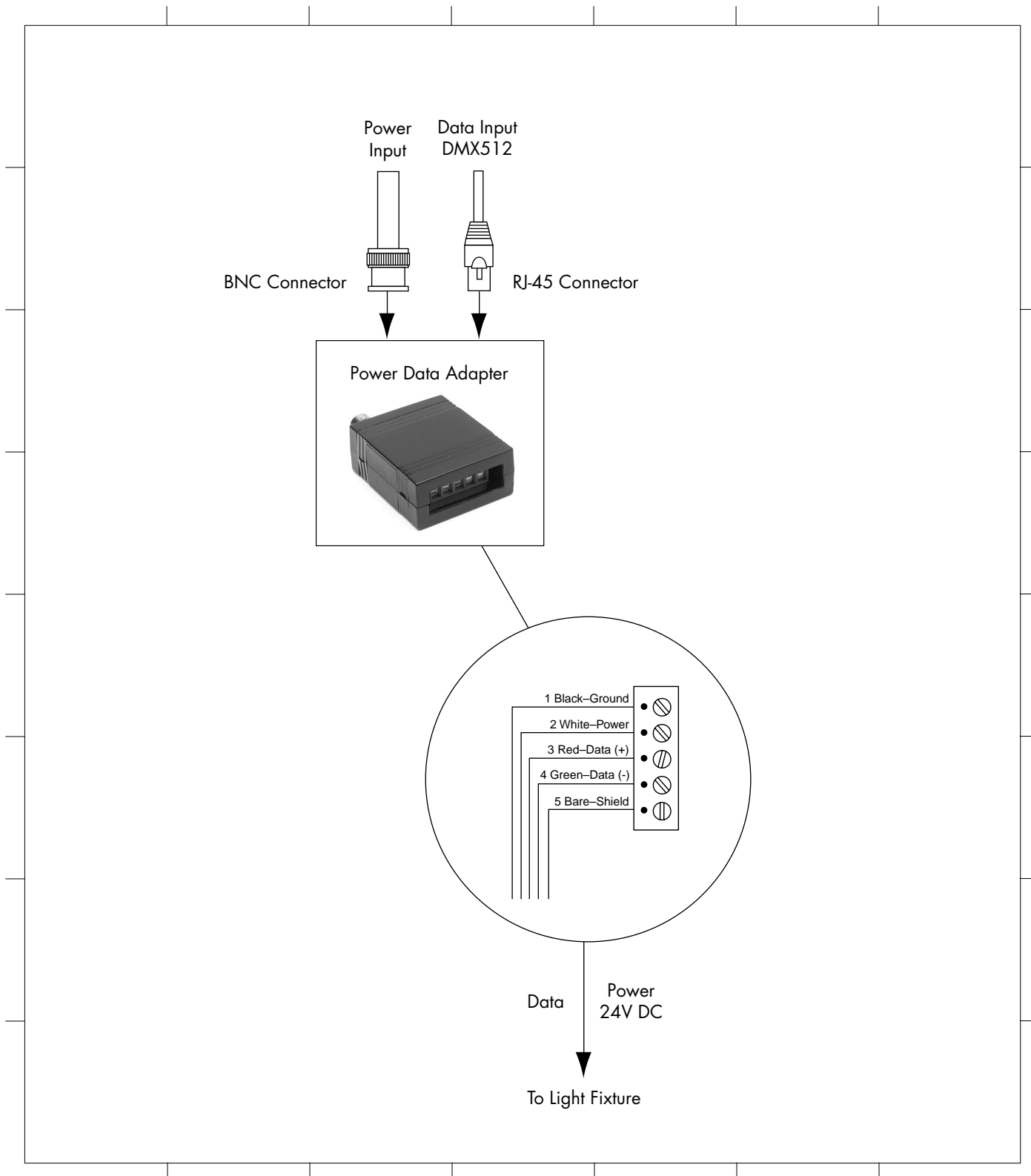
PHYSICAL DIMENSIONS



POWER/DATA ADAPTER	
ITEM # 104-000006-00	
WEIGHT	1.3 oz (37g)
DATA	RJ45 connector data output ports
POWER CONNECTOR	BNC connector - female
POWER REQUIREMENT	None

POWER DATA ADAPTOR

WIRING DIAGRAM



U.S. AND FOREIGN PATENTS AND PATENTS PENDING

Color Kinetics Incorporated grants the purchaser of its lighting products and controllers a personal and non-transferable license to use Chromacore®, its patented technology for networkable control of LED-based color-changing lighting fixtures for illumination, display and design. This license is granted only by Color Kinetics Incorporated, and may not be transferred except by the grantor. The design, duplication, manufacture, or sale of other products using networkable control of LED-based color-changing lighting may be prohibited and is not licensed hereunder. Other patents pending.