



JUICE BOX 2

POWERED BY SMARTJUICE



Color Kinetics® Juice Box 2 represents a breakthrough in lighting control technology. Juice Box 2 provides both power and data to Color Kinetics iColor® MR lamps over conventional two-wire circuits using Color Kinetics exclusive patented Smartjuice® technology.

Smartjuice is intelligent power—data and power multiplexed together to offer an elegant method of lighting control. Delivering power and data to lighting fixtures by conventional methods usually requires running a wire for data as well as for power. In many existing installations, adding the data line is not always practical or even possible. Smartjuice provides power and control for iColor MR lamps in standard lighting fixtures without the need for the additional wire. The separate incoming lines for power and data are combined into a common outgoing line of power and data multiplexed together. Smartjuice even permits individual control of iColor MR lamps over this common bus. This technology eliminates the need to wire each fixture separately for data, making retrofit installations quick and easy.

Juice Box 2 is designed to support up to 40 iColor MR (ITEM# 101-000001-01) lamps, when used with Color Kinetics PS-60 power supply. It replaces other step-down transformers for a variety of low-voltage circuits for standard MR16 lamps, including cable, track, and rail systems up to 50 feet away. Juice Box 2 offers additional features specifically designed for plug-and-play lighting applications: it accepts power via screw terminals or a BNC connector; it accepts data via RJ45 data connectors; it distributes Smartjuice via screw terminals; and the entire package fits into a sleek box. For installations requiring multiple Juice Box 2 units, the data signal can easily be daisy chained.

NOTE: Juice Box 2 performs internal diagnostics upon start up. Expect a seven-second delay before power is distributed to iColor MR lamps.

PRODUCT SPECIFICATIONS

HOUSING Enclosed ABS, flame retardant, UL94 V-O plastic housing

ENVIRONMENTAL SPECIFICATIONS

TEMPERATURE RANGE -4°F to 122°F (-20°C to 50°C)

HUMIDITY RANGE 0 to 95% non-condensing humidity

COMMUNICATIONS SPECIFICATIONS

DATA INTERFACE Color Kinetics data interface system

CONTROL Color Kinetics full line of controllers or DMX512 (RS485) compatible

ELECTRICAL SPECIFICATIONS

POWER INPUT 24VDC

POWER OUTPUT 2.5A @ 24VDC (60W) (Only when used with PS-60)

POWER SUPPLY PS-60 (ITEM# 109-000001-00)

U.S. AND FOREIGN PATENTS AND PATENTS PENDING

ITEM# 106-000002-01

This product is protected by one or more of the following patents:
U.S. Patent Nos. 6,016,038, 6,150,774 and other patents listed at
<http://colorkinetics.com/patents/>. Other patents pending.

©1999-2005 Color Kinetics Incorporated. All rights reserved.
Chromacore, Chromasic, Color Kinetics, the Color Kinetics logo, ColorBlast, ColorBlaze, ColorBurst, ColorCast, ColorPlay, ColorScape, Direct Light, iColor, iColor Cove, iPlayer, Optibin, QuickPlay, Sauce, the Sauce logo, and Smartjuice are registered trademarks and DIMand, IntelliWhite, Powercore, and Video With Light are trademarks of Color Kinetics Incorporated.

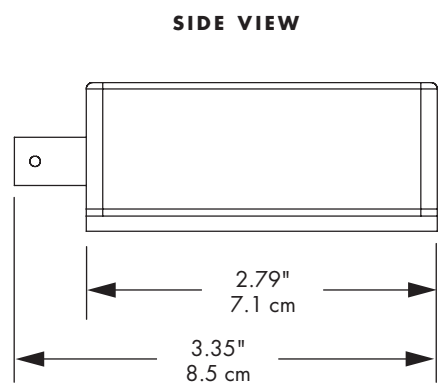
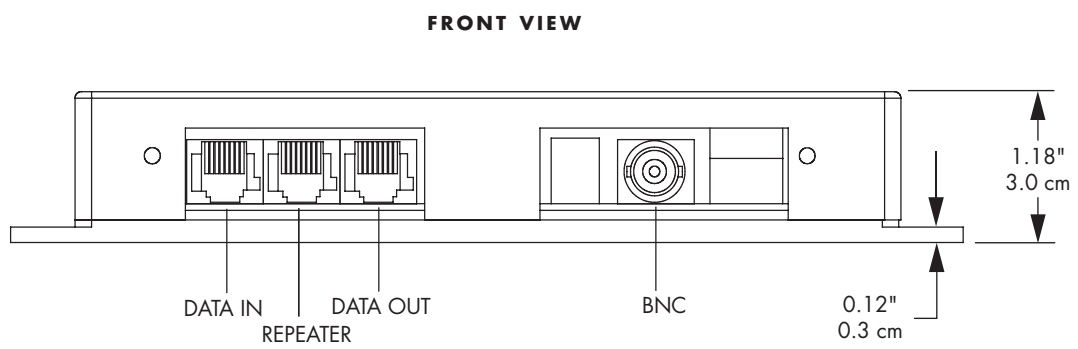
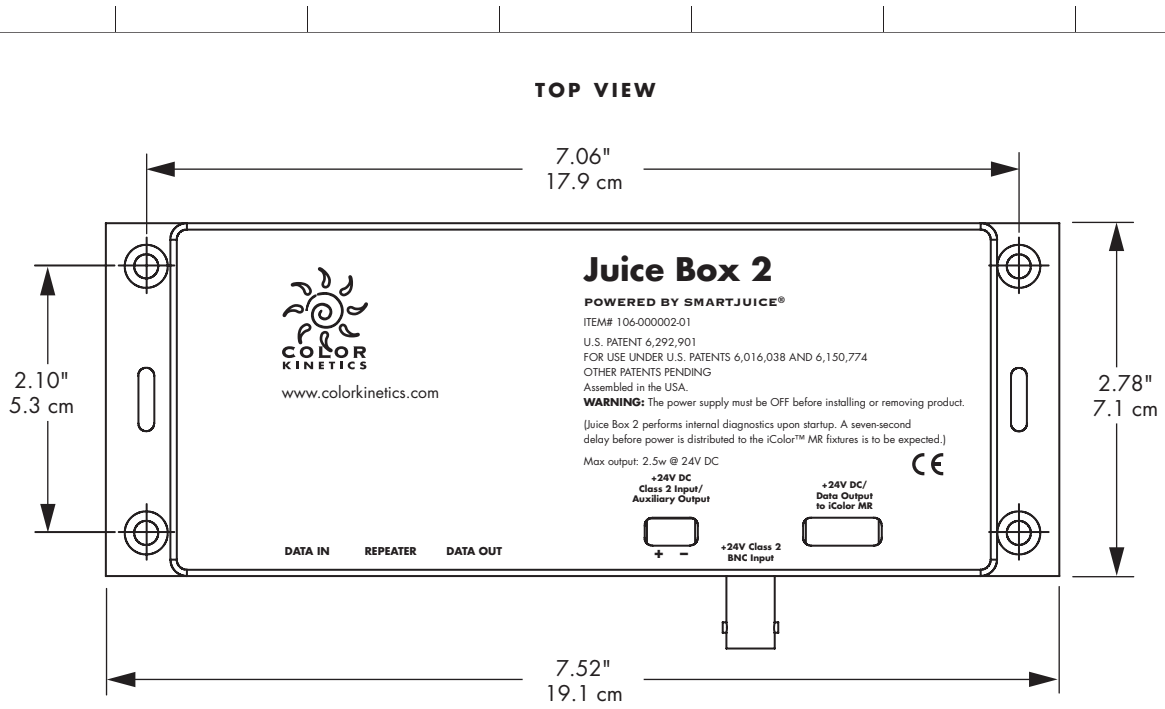
All other brand or product names are trademarks or registered trademarks of their respective owners.

BRO070 Rev 10

Specifications subject to change without notice.

JUICE BOX 2

PHYSICAL DIMENSIONS



JUICE BOX 2 ITEM # 106-000002-01	
WEIGHT	14.oz (397g)
DATA CONNECTOR	Input: RJ45 Output: RJ45
POWER CONNECTOR	Input: Screw terminals or BNC Output: Screw terminals

JUICE BOX 2

FUNCTIONAL FLOW DIAGRAM

