

PHILIPS



Graze Powercore
Inground Enclosure

Accessories

Date: _____

Type: _____

Firm Name: _____

Project: _____



Graze Powercore Inground Enclosure

Outdoor rated enclosure for ground recessed lighting applications

The Inground Enclosure for Graze Powercore fixtures enables ground recessed lighting applications using any fixture in the Graze Powercore family. A sealed and pressure tested glass cover protects fixtures from both walkover impact and water damage while a field adjustable mounting base can be tilted up to 15° without interrupting the beam pattern making the enclosure both durable and flexible.

Graze Powercore Inground Enclosure

Outdoor rated enclosure for ground recessed lighting applications

- Keeps grazing fixtures out of view for outdoor applications and high traffic areas.
- Convenient field adjustable tilting mechanism gives you the flexibility to change the angle of the fixture by $\pm 15^\circ$ without disturbing the beam.
- IK10 impact glass cover ensures outdoor rated sturdiness and prevents water from leaking into the enclosure.

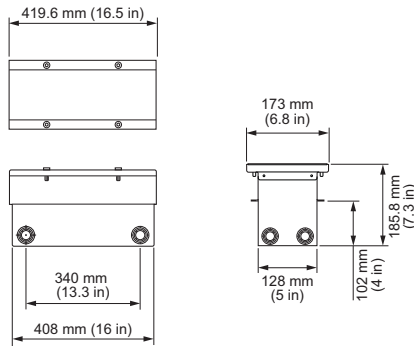
- Available in four standard lengths—305 mm (12 in), 610 mm (24 in), 914 mm (36 in) and 1219 mm (48 in) designed to accommodate all four available lengths of Graze Powercore fixtures.

For detailed product information please visit www.colorkinetics.com/ls/accessories/Graze-Inground-Enclosure/.

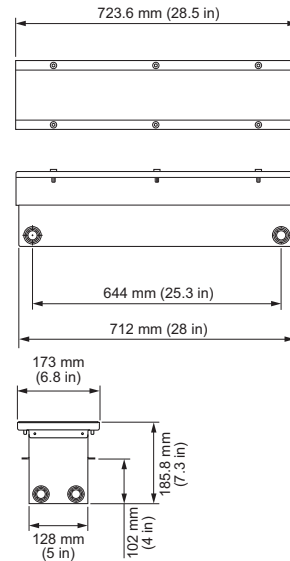
Dimensions

for assembled enclosures

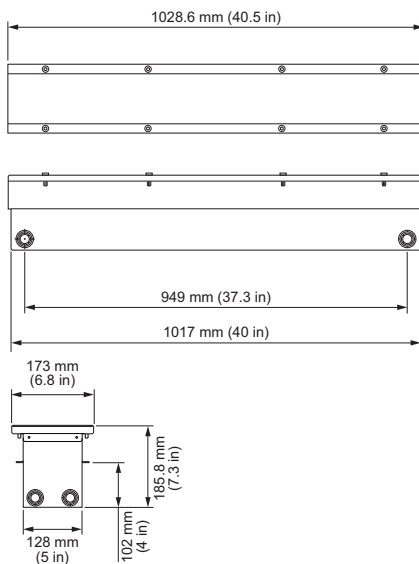
305 mm
(1 ft)



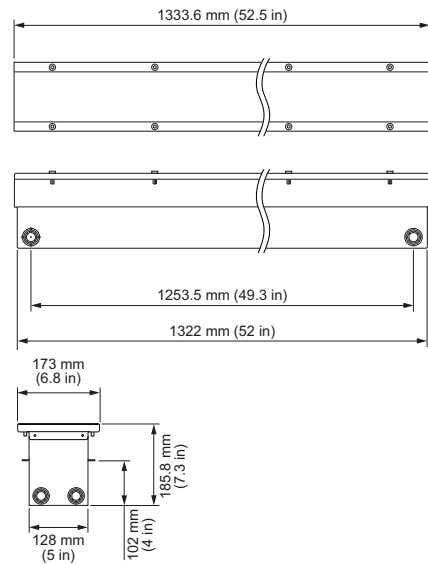
610 mm
(2 ft)



914 mm
(3 ft)



1219 mm
(4 ft)



Specifications

Due to continuous improvements and innovations, specifications may change without notice.

Date: _____

Type: _____

Firm Name: _____

Project: _____



Graze Powercore Inground Enclosure

Physical

Dimensions (Height x Width x Depth)

Outer Box

305 mm (12 in) luminaire	419.6 x 184.3 x 173 mm (16.5 x 7.25 x 6.8 in)
610 mm (24 in) luminaire	723.6 x 184.3 x 173 mm (28.5 x 7.25 x 6.8 in)
914 mm (36 in) luminaire	1028.6 x 184.3 x 173 mm (40.5 x 7.25 x 6.8 in)
1219 mm (48 in) luminaire	1333.6 x 184.3 x 173 mm (52.5 x 7.25 x 6.8 in)

Inner Box

305 mm (12 in) luminaire	417 x 184.9 x 168 mm (16.4 x 7.3 x 6.6 in)
610 mm (24 in) luminaire	721 x 184.9 x 168 mm (28.4 x 7.3 x 6.6 in)
914 mm (36 in) luminaire	1026 x 184.9 x 168 mm (40.4 x 7.25 x 6.6 in)
1219 mm (48 in) luminaire	1331 x 184.9 x 168 mm (52.4 x 7.3 x 6.6 in)

Weight

Outer Box

305 mm (12 in) luminaire	4.1 kg (9 lb)
610 mm (24 in) luminaire	6.5 kg (14.3 lb)
914 mm (36 in) luminaire	8.8 kg (19.4 lb)
1219 mm (48 in) luminaire	11.2 kg (24.7 lb)

Weight (cont.)

Inner Box

305 mm (12 in) luminaire	4.3 kg (9.5 lb)
610 mm (24 in) luminaire	7.3 kg (16.1 lb)
914 mm (36 in) luminaire	10.4 kg (22.9 lb)
1219 mm (48 in) luminaire	13.4 kg (29.5 lb)

Static Load Resistance 1,000 kg (10 kN)

Housing Material Stainless steel

Glass 12 mm (0.5 in) tempered clear glass

Temperature* 100 °C (212 °F) Maximum Surface Temperature
50 °C (122 °F) Maximum Ambient Temperature

Mechanical Impact IK10, Walkover grade

Conduit Opening 3/4 in US Trade Size or 40 mm (1.75 in),
outer diameter

Certification and Safety

Certification UL, CE

Environment Dry/Damp/Wet Location, IP67



Part numbers

Use Item Number when ordering in North America.

Enclosure† (luminaires must be ordered separately)

Enclosure	Item Number	Philips 12NC
Inground Enclosure, Outer Box for 305 mm (12 in) luminaire	120-000190-01	912400133685
Inground Enclosure, Outer Box for 610 mm (24 in) luminaire	120-000190-03	912400133687
Inground Enclosure, Outer Box for 914 mm (36 in) luminaire	120-000190-05	912400133689
Inground Enclosure, Outer Box for 1219 mm (48 in) luminaire	120-000190-07	912400133691
Inground Enclosure, Inner Box for 305 mm (12 in) luminaire	120-000190-00	912400133684
Inground Enclosure, Inner Box for 610 mm (24 in) luminaire	120-000190-02	912400133686
Inground Enclosure, Inner Box for 914 mm (36 in) luminaire	120-000190-04	912400133688
Inground Enclosure, Inner Box for 1219 mm (48 in) luminaire	120-000190-06	912400133690

Leader Cables‡

Leader Cable, 1.52 mm (5 ft), UL, for Inground Enclosure	108-000055-09	912400134321
Leader Cable, 1.52 mm (5 ft), CE, for Inground Enclosure	108-000055-10	912400134322

* Please refer to the Graze Powercore Product Guide for all specifications including operating temperature ranges and thermal management.

† To order an Inground Enclosure for Graze Powercore you will need to order both the inner and outer box from the part numbers listed above in addition to either a UL or CE leader cable to wire each luminaire into the junction box provided as part of the inner box.

‡ In order to connect Inground Enclosure to Inground Enclosure appropriate AWG wiring with a diameter of 10 to 14 mm (0.39 to 0.55 in) will need to be purchased from a third-party. For Color or Intelligent White luminaires specify 4 Conductor 12 AWG (4 x 2.5 mm) wire. For eW luminaires specify 3 Conductor 12 AWG (3 x 2.5 mm) wire.

Copyright © 2018 Philips Lighting Holding B.V. All rights reserved. Chromacore, Chromasic, CK, the CK logo, Color Kinetics, the Color Kinetics logo, ColorBlast, ColorBlaze, ColorBurst, eW Fuse, ColorGraze, ColorPlay, ColorReach, iW Reach, eW Reach, DIMand, EssentialWhite, eW, EvenBalance, iColor, iColor Cove, IntelliWhite, iW, iPlayer, Optibin, and Powercore are either registered trademarks or trademarks of Philips Lighting Holding B.V. in the United States and/or other countries. All other brand or product names are trademarks or registered trademarks of their respective owners. Due to continuous improvements and innovations, specifications may change without notice.

DAS-000187-01 R04 08 Feb 2018



Philips Color Kinetics
www.philips.com/colorkinetics