



Date: _____ Type: _____

Firm Name: _____

Project: _____

Data Receiver IntelliPower

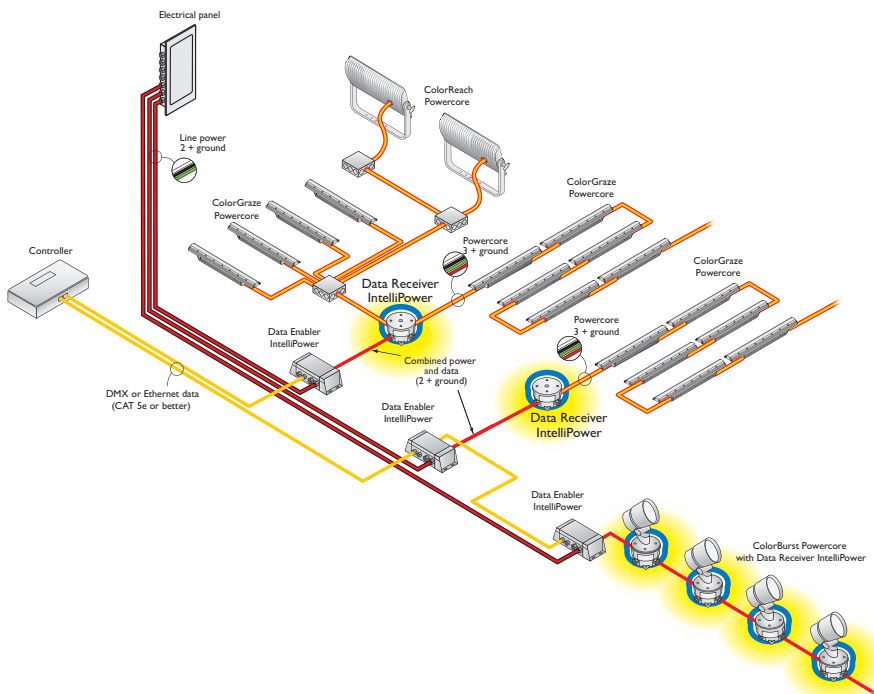
Enabling the transition from static conventional lighting to dynamic LED lighting using existing electrical infrastructures

IntelliPower employs an innovative implementation of proven power line carrier technology to send high-bandwidth control data to fixtures over standard 2 + ground wiring, enabling the integration of intelligent LED lighting solutions into existing power systems. By leveraging existing electrical and physical infrastructures, IntelliPower technology lets you affordably install dynamic, digitally controllable LED lighting where it was never possible before.

- New applications for intelligent LED lighting — IntelliPower enables the use of dynamic, digitally-controlled LED lighting in any situation where re-wiring is not desirable or feasible, including historic buildings, in-ground systems, bridges, and monumental exteriors.
- Leverages existing electrical infrastructures — Data Enabler IntelliPower distributes digital control data from DMX or Ethernet controllers over existing electrical branches using standard 2 + ground wiring. Data Receiver IntelliPower translates power

and control streams into 3 + ground wiring for delivery to intelligent Powercore LED lighting fixtures from Philips Color Kinetics.

- Flexible configurations — You can install IntelliPower devices in virtually any configuration to support the full range of lighting design needs. You can use multiple Data Receiver IntelliPower devices on a branch to connect individual LED lighting fixtures in situations where you cannot lay new cable. You can send the same data stream to multiple Data Enabler IntelliPower devices to control fixtures on multiple branches from a single control source.
- Special support for canopy-base and landscape-mount fixtures — Mount canopy-base fixtures from Philips Color Kinetics, including Burst Powercore Architectural and Blast Powercore, directly to the Data Receiver IntelliPower for situations in which you cannot use 3 + ground wiring. The Data Receiver IntelliPower also offers a threaded opening for fixtures with mounting posts, such as Burst Powercore Landscape.
- Universal power input range — IntelliPower devices accept a universal power input range of 100 – 277 VAC for consistent installation and usage anywhere in the world.
- Industry-leading controls — IntelliPower systems work seamlessly with the complete Philips line of controllers, including Video System Manager Pro, Light System Manager, and iPlayer 3, and third-party controllers.
- Outdoor rated — Data Enabler IntelliPower and Data Receiver IntelliPower are fully sealed and IP66-rated for outdoor applications.



PHILIPS

Data Receiver IntelliPower Specifications

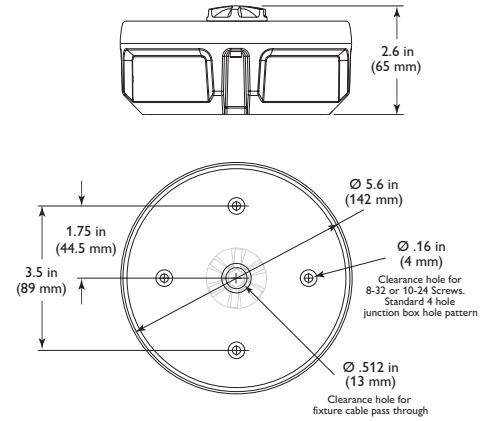
Due to continuous improvements and innovations, specifications may change without notice.

Item	Specification	Details
Electrical	Input Voltage	100 – 277 VAC*, auto-ranging, 50 / 60 Hz
	Maximum Input Current	45 mA maximum
	Power Consumption	5 W maximum
Physical	Dimensions (Height x Length x Width)	65 x 143 x 143 mm (2.6 x 5.6 x 5.6 in)
	Weight	0.9 kg (2.0 lb)
	Construction	Cast aluminum enclosure
	Finish	Powder-coated black, white, or silver gray matte
	Threaded Opening	.5 in NPT
	Included Wiring Volume	114.7 cm ³ (7 cu in)
	Temperature Ranges	-40° – 50° C (-40° – 122° F) Operating -20° – 50° C (-20° – 122° F) Startup -40° – 80° C (-40° – 176° F) Storage
	Fixture Connections	152 mm (6 in) flying leads
	Humidity	0 – 95%, non-condensing
	Cooling	Convection
	Heat Dissipation	5 W
Certification and Safety	Certification	UL / cUL, FCC Class A, CE
	Environment	Dry / Damp / Wet Location, IP66

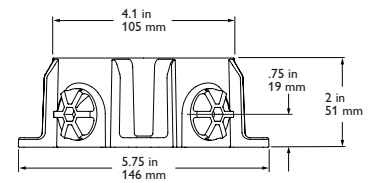
* Verify that the line voltage is appropriate for the lighting fixtures in your installation. See a specific fixture's documentation for supported line voltages.



Data Receiver IntelliPower Dimensions



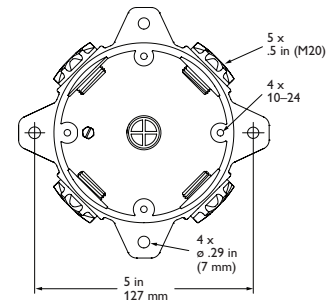
Wiring Compartment Dimensions



Wiring Compartment Specifications

Due to continuous improvements and innovations, specifications may change without notice.

Item	Specification	Details
Physical	Dimensions (Height x Width x Depth)	51 x 146 x 146 mm (2.0 x 5.75 x 5.75 in)
	Weight	0.41 kg (0.9 lb)
	Construction	Cast aluminum enclosure
	Finish	Powder-coated black, white, or silver gray matte
	Threaded Opening	.5 in NPT (UL / cUL) / M20 (CE)
Certification and Safety	Included Wiring Volume	327.7 cm ³ (20 cu in)
	Certification	UL / cUL, FCC Class A, CE
Environment	Dry / Damp / Wet Location	



Further Information and Ordering:

For all inquiries about IntelliPower equipment and services, please contact your local Philips Lighting representative or a Philips Lighting System Service Center.

Item	Housing Color
Wiring Compartment UL / cUL	Black
	White
	Silver Gray
Wiring Compartment CE	Black
	White
	Silver Gray

Included in the box

Data Receiver IntelliPower

- (2) #8-32 x 3.5 in screws for indoor installations with a canopy-base fixture attached
- (2) #8-32 x 3.0 in screws for indoor installations with no canopy-base fixture attached
- (4) #10-24 x 3.5 in screws for outdoor installations with a canopy-base fixture attached
- (4) #10-24 x 3.0 in screws for outdoor installations with no canopy-base fixture attached
- (4) 5-position WAGO connectors
- Strain relief clip
- (2) Gaskets
- Blast Powercore canopy plug
- Wiring Compartment (CE only)
- Installation Instructions

Copyright © 2015 Philips Solid-State Lighting Solutions, Inc. All rights reserved. Chromacore, Chromasic, CK, the CK logo, Color Kinetics, the Color Kinetics logo, ColorBlast, ColorBlaze, ColorBurst, ColorGraze, ColorPlay, ColorReach, iW Reach, eW Reach, DIMand, EssentialWhite, eW, iColor, iColor Cove, IntelliWhite, iW, iPlayer, Optibin, and Powercore are either registered trademarks or trademarks of Philips Solid-State Lighting Solutions, Inc. in the United States and / or other countries. All other brand or product names are trademarks or registered trademarks of their respective owners. Due to continuous improvements and innovations, specifications may change without notice.

DAS-000108-01 R02 03-15



Philips Color Kinetics
3 Burlington Woods Drive
Burlington, Massachusetts 01803 USA
Tel 888.385.5742
Tel 617.423.9999
Fax 617.423.9998
www.philipscolorkinetics.com
@colorkinetics