



Date: _____ Type: _____

Firm Name: _____

Project: _____

ColorFuse Powercore

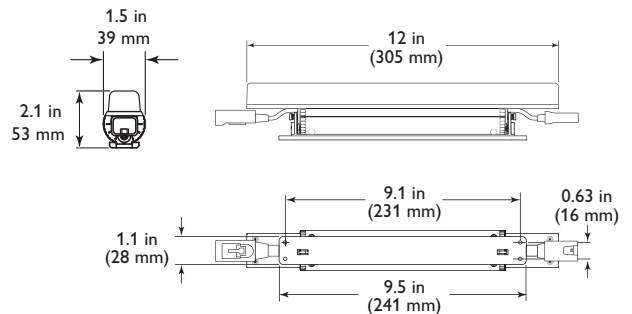
Linear interior LED wall grazing fixture with intelligent color light

With narrow and medium beams of high-quality color-changing light, ColorFuse Powercore is an excellent choice for a full range of surface grazing, wall-washing, and accent lighting applications. Its ultra-compact form factor permits installation in tight spaces too small to accommodate conventional grazing fixtures that offer similar level and distribution of light. ColorFuse Powercore combines professional-grade color mixing and output with the efficiency and cost-effectiveness provided by Powercore technology.

- Intense light output — High-performance grazing fixtures deliver professional-grade illuminance with total light output of over 380 lumens per foot.
- Universal power input range — ColorFuse Powercore accepts power input of 100 – 240 VAC. Depending on input voltage, a single Data Enabler Pro can support up to 105 ColorFuse Powercore fixtures installed end-to-end in a single run.
- Integrates Powercore technology — Powercore technology rapidly, efficiently, and accurately controls power output to ColorFuse Powercore fixtures directly from line voltage. The Philips Data Enabler Pro merges line voltage with control and delivers them to the fixture over a single standard cable, dramatically simplifying installation and lowering total system cost.
- Superior color consistency — Optibin, a proprietary binning optimization process developed by Philips Color Kinetics, guarantees consistency of hue across LEDs, fixtures, and manufacturing runs.
- Advanced color mixing — Patented Chromacore technology, pioneered by Philips Color Kinetics, enables precise control over individual LED channels to produce millions

of colors and full-color, dynamic effects.

- Industry-leading controls — ColorFuse Powercore works seamlessly with the complete Philips Color Kinetics line of controllers, including Light System Manager, iPlayer 3, and ColorDial Pro, as well as third-party controllers.
- Easy installation — By delivering line voltage directly to the fixtures, Powercore reduces the number of external power supplies, allowing long product runs and eliminating the need for special wiring. Easy-to-install 4 ft (1.2 m) mounting tracks allow quick project setup in linear applications.



- Flexible mounting and positioning — With end-to-end locking power connectors that can make 180° turns, these compact 12 in (305 mm) grazing fixtures are easy to position in even the most challenging mounting circumstances. 1 ft (305 mm) and 5 ft (1.5 m) jumper cables can add extra space between fixtures. Optional mounting tracks support vertical and overhead positioning.

For detailed product information, please refer to the ColorFuse Powercore Product Guide at www.philipscolorkinetics.com/ls/rgb/colorfusepc



Specifications

Due to continuous improvements and innovations, specifications may change without notice.

Item	Specification	Details
Output	Lumens*	384 (10° x 60° beam angle) / 380 (30° x 60° beam angle)
	Lumen Maintenance†	50,000 hours L70 @ 25° C 37,000 hours L70 @ 50° C 90,000 hours L50 @ 25° C 80,000 hours L50 @ 50° C
	LED Channels	Red / Green / Blue
Electrical	Input Voltage	100 – 240 VAC, auto-switching, 50 / 60 Hz
	Power Consumption	12.5 W maximum at full output, steady state
Control	Interface	Data Enabler Pro (DMX or Ethernet) Fixture firmware addressable 8- or 16-bit control
	Control System	Philips full range of controllers, including Light System Manager, iPlayer 3, and ColorDial Pro, or third-party controllers
Physical	Dimensions (Height x Width x Depth)	2.1 x 12 x 1.5 in (53 x 305 x 39 mm)
	Weight	0.98 lbs (.45 kg)
	Housing	Die-cast aluminium, white powder-coated finish.
	Lens	Polycarbonate
	Fixture Connections	Integral male / female connectors
	Temperature Ranges	-4° – 122° F (-20° – 50° C) Operating -4° – 122° F (-20° – 50° C) Startup -40° – 176° F (-40° – 80° C) Storage
	Humidity	0 – 95%, non-condensing
Certification and Safety	Certification	UL / cUL, FCC Class B, CE, PSE, CCC
	Environment	Dry / Damp Location, IP20
Fixture Run Lengths Per Data Enabler Pro‡	46 @ 100 VAC	Configuration: Fixtures installed end-to-end, 20 A circuit, standard 10 ft (3.1 m) Leader Cable
	56 @ 120 VAC	
97 @ 208 VAC		
100 @ 220 VAC		
105 @ 240 VAC		

* Lumen measurement complies with IES LM-79-08 testing procedures.

† L70 = 70% lumen maintenance (when light output drops below 70% of initial output). L50 = 50% lumen maintenance (when light output drops below 50% of initial output). Ambient luminaire temperatures specified. Lumen maintenance calculations are based on lifetime prediction graphs supplied by LED source manufacturers. Calculations for white-light LED fixtures are based on measurements that comply with IES LM-80-08 testing procedures. Refer to www.philipscolorkinetics.com/support/appnotes/lm-80-08.pdf for more information.

‡ These figures, provided as a guideline, are accurate for this configuration only. Changing the configuration can affect the fixture run lengths.



Fixtures and Accessories

Item	Type		Item Number	Philips 12NC
ColorFuse Powercore	10° x 60°	UL / cUL / CE	123-000066-00	910503701783
		CCC	123-000066-02	910503701993
	30° x 60°	UL / cUL / CE	123-000066-01	910503701784
		CCC	123-000066-03	910503701994
Mounting Track, White	1 @ 4 ft (1219 mm)		120-000124-00	910503701787
Leader Cable with Terminator	10 ft (3.1 m)	UL / cUL	108-000050-00	910503701686
		CE / CCC	108-000050-01	910503701687
Jumper Cable	1 ft (305 mm)	UL / cUL	108-000049-01	910503701683
		CE / CCC	108-000049-03	910503701685
	5 ft (1.5 m)	UL / cUL	108-000049-00	910503701682
		CE / CCC	108-000049-02	910503701684
Wiring Compartment with Terminator		UL / cUL	120-000077-02	910503701740
Terminators, Quantity 10			120-000058-00	910503700146
Data Enabler Pro	3/4 in / 1/2 in NPT (U.S. trade size conduit)		106-000004-00	910503701210
	PG21 / PG13 (metric size conduit)		106-000004-01	910503701211

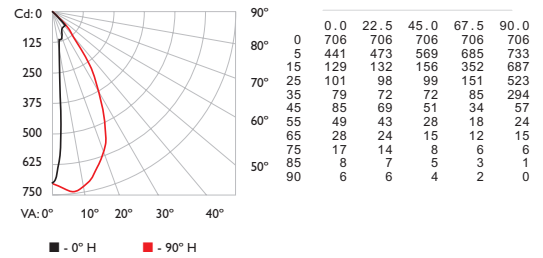


Philips Color Kinetics
3 Burlington Woods Drive
Burlington, Massachusetts 01803 USA
Tel 888.385.5742
Tel 617.423.9999
Fax 617.423.9998
www.philipscolorkinetics.com

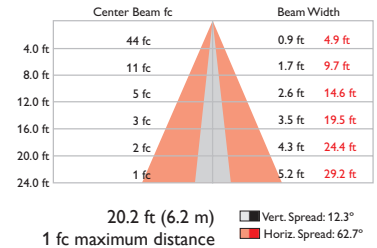
Photometrics

10° x 60° beam angle (narrow)

Polar Candela Distribution



Illuminance at Distance

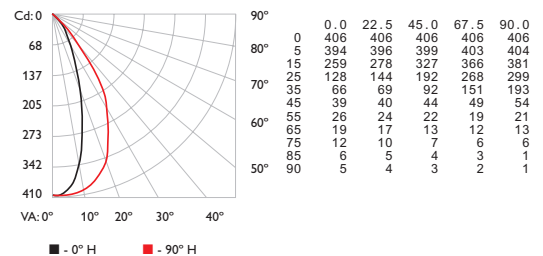


LED	Lumens	Efficacy
RGB	384	23.3

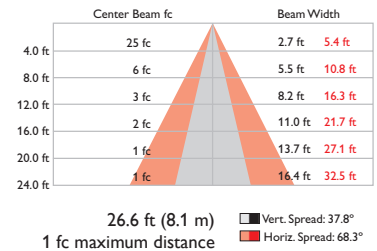
For lux multiply fc by 10.7

30° x 60° beam angle (medium)

Polar Candela Distribution



Illuminance at Distance



LED	Lumens	Efficacy
RGB	380	22.5

For lux multiply fc by 10.7

Use Item Number when ordering in North America.

Copyright © 2011 - 2012 Philips Solid-State Lighting Solutions, Inc. All rights reserved. Chromacore, Chromasic, CK, the CK logo, Color Kinetics, the Color Kinetics logo, ColorBlast, ColorBlaze, ColorBurst, eW Fuse, ColorGraze, ColorPlay, ColorReach, iW Reach, eW Reach, DIMand, EssentialWhite, eV, iColor, iColor Cove, IntelliWhite, iW, iPlayer, Optibin, and Powercore are either registered trademarks or trademarks of Philips Solid-State Lighting Solutions, Inc. in the United States and / or other countries. All other brand or product names are trademarks or registered trademarks of their respective owners. Due to continuous improvements and innovations, specifications may change without notice. DAS-000078-01 R02 04-12