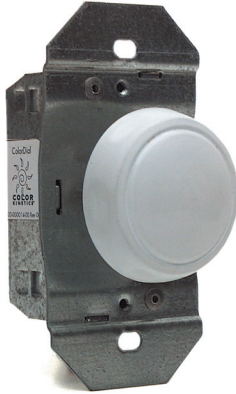


COLORDIAL



Color Kinetics® ColorDial is a stand alone lighting controller and interface for Color Kinetics light fixtures. The ColorDial is an easy to install, wall-mountable assembly ideal for applications that desire a variety of effects in an easy interface. ColorDial's ease-of-use design lets you select and modify a variety of lighting effects with a simple push and turn of a knob.

ColorDial includes eight lighting effects that can be accessed and modified with the simple-to-use rotary/push dial – no programming required. Push the dial to select Fixed Color, Color Wash, three Chasing Rainbow settings, Random Color, Random Fade, White Light, or off. Rotate the dial to adjust the color or speed, depending on the chosen effect.

ColorDial comes ready to mount into a standard U.S. single or multi gang wall box using a standard face plate. It is designed for power and data connections to be hardwired to the internal five-position terminal block. Switches are provided to disable/enable effects prior to installation.

FEATURES

- Contains eight pre-programmed, modifiable, light shows: Fixed Color, Color Wash, three Chasing Rainbows (4, 8, and 12 light width), Random Color, Random Fade, and White Light
- Real time color and effects changing
- Compatible with all Color Kinetics professional lighting products
- Controls up to 60 unique lighting addresses, with the data repeating after the first twelve.
- One-quarter inch D-shaft fits most standard dimmer knobs for knob interchange and customization.
- Memory feature recalls the last effect settings.

COLORDIAL SPECIFICATIONS

CONTROL	Stand Alone
HOUSING	Fits standard U.S. single or multi gang electrical wall boxes - not provided
CONNECTORS	Five-position terminal block
LISTINGS	Meets National Electrical Code Class 2 requirements
POWER INPUT	24VDC @ 100mA

DESCRIPTION OF EFFECTS

FIXED COLOR	Static display of a single color
COLOR WASH	Colors transition gracefully from color to color, repeat-cycling through the entire color spectrum
CHASING RAINBOW	When applied to a group of lights, colors of the rainbow appear to chase each other from one light to the next
RANDOM COLOR	Colors step or jump from one color to the next randomly
RANDOM FADE	Colors transition gracefully from one color to the next randomly
WHITE	Static display of white light, with dimming ability

DESCRIPTION OF CONTROLS

PUSHING	Cycles through enabled modes – up to eight color effects plus off
ROTATING	Varies the color in Fixed Color mode, the intensity in White, and the speed for all other effects

INSTALLATION

MOUNTING	Fits standard U.S. one-gang wall box
WIRING	For complete installation instructions, refer to the ColorDial installation guide.

ITEM# 103-000014-00

This product is protected by one or more of the following patents: U.S. Patent Nos. 6,016,038, 6,150,774 and other patents listed at <http://colorkinetics.com/patents/>. Other patents pending.

©2002-2005 Color Kinetics Incorporated. All rights reserved. Chromacore, Chromasic, Color Kinetics, the Color Kinetics logo, ColorBlast, ColorBlaze, ColorBurst, ColorCast, ColorPlay, ColorScape, Direct Light, iColor, iColor Cove, iPlayer, Optibin, QuickPlay, Sauce, the Sauce logo, and SmartJuice are registered trademarks and DIMand, IntelliWhite, Powercore, and Video With Light are trademarks of Color Kinetics Incorporated.

All other brand or product names are trademarks or registered trademarks of their respective owners.

BR0092 Rev 08

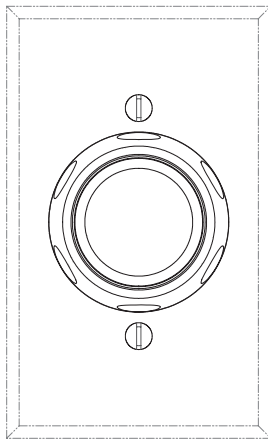
Specifications subject to change without notice.

U.S. AND FOREIGN PATENTS AND PATENTS PENDING

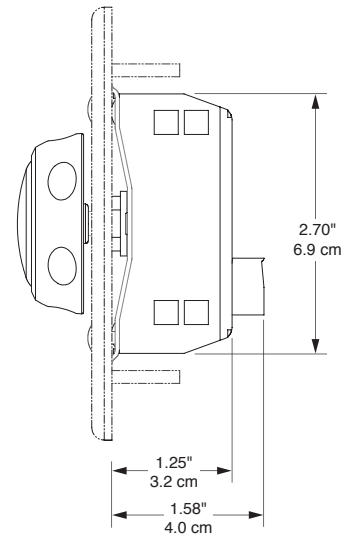
COLORDIAL

PHYSICAL DIMENSIONS

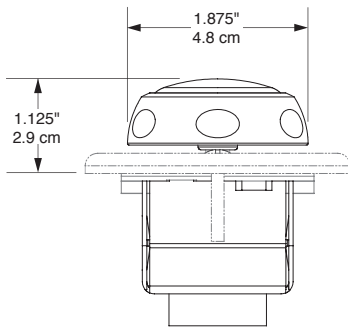
FRONT VIEW



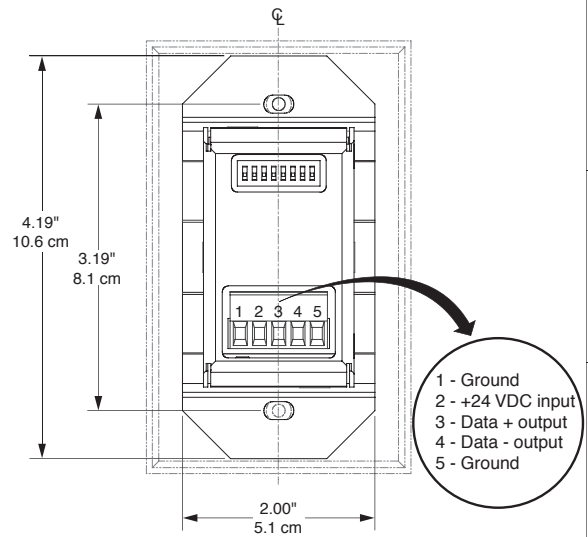
SIDE VIEW



TOP VIEW



BACK VIEW



- 1 - Ground
- 2 - +24 VDC input
- 3 - Data + output
- 4 - Data - output
- 5 - Ground

COLORDIAL MODEL # 103-000014-00	
WEIGHT	5.3oz (150g)
DATA	Data output via screw terminal
POWER CONNECTOR	Power input via screw terminal
POWER REQUIREMENT	100mA@24VDC (2.4W)

