



Date: _____ Type: _____

Firm Name: _____

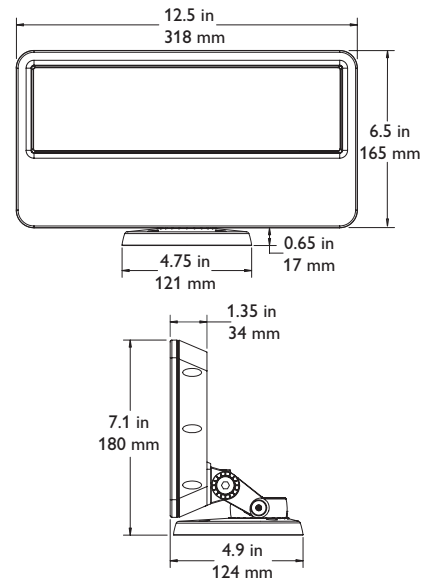
Project: _____

ColorBlast Powercore

23° Beam Angle

Vibrant, controllable color for interior and exterior architectural lighting

ColorBlast® Powercore high-performance LED fixtures combine rich, saturated, wall-washing color and color-changing effects with simplified installation. ColorBlast Powercore offers a single solution for both indoor and outdoor applications, while a range of beam angles make the fixture ideal for washing, grazing, floodlighting, and spot lighting. ColorBlast Powercore offers the efficiency and cost-effectiveness of Powercore technology in a rugged die-cast aluminum housing.



- Integrates Powercore® technology — Powercore technology rapidly, efficiently, and accurately controls power output to ColorBlast Powercore fixtures directly from line voltage. The Philips Color Kinetics Data Enabler merges line voltage with control data and delivers them to the fixture over a single standard cable, dramatically simplifying installation and lowering total system cost.
- Three beam patterns — A 23° beam for a soft-edge, and 8° and 10° beams for extended light projection, support a wide range of lighting applications.
- Versatile light positioning — Locking canopy base offers friction-free rotation of up to 350°, and 110° fixture tilting lets you quickly aim the fixture without special tools.
- Easy installation — By delivering line voltage directly to the fixtures, Powercore simplifies installation by eliminating power supplies, supporting long product runs, and eliminating the need for special wiring. Fixtures can be mounted to a junction box on a wall, ceiling, or floor for maximum flexibility. The canopy base allows for post-installation rotation without precise junction box positioning.
- Universal power input range — ColorBlast Powercore accepts a universal power input range of 100 to 240 VAC, allowing the installation of many units in a continuous run. A single Data Enabler can run up to 32 ColorBlast Powercore fixtures at 100 VAC, 33 fixtures at 120 VAC, or 52 fixtures at 220 VAC or 240 VAC, installed in series, depending on cable lengths and wire gauge.
- Outdoor Rated — Fully sealed for maximum fixture life and IP66 rated for outdoor applications, ColorBlast Powercore fixtures meet or exceed specifications for use in wet locations. Rugged, die-cast aluminum housing is available in white or black powder-coated finish.
- Industry-leading controls — Works seamlessly with the complete Philips line of controllers, including iPlayer 3 and Light System Manager, as well as third-party DMX controllers.
- Efficient and cost-effective — Replacing metal halide fixtures with ColorBlast Powercore fixtures can dramatically reduce electricity and maintenance costs while delivering superior consistency and uniformity of light and color.

For detailed product information, please refer to ColorBlast Powercore Product Guide at www.colorkinetics.com/ls/rgb/colorblast12pc/

PHILIPS

Specifications

Due to continuous improvements and innovations, specifications may change without notice

Item	Specification	Details
Output	Beam Angle	23°
	Lumens†	633
	Color Range	16.7 million additive RGB colors; continuously variable intensity
	Mixing Distance	6 in (152 mm) to uniform light
	Lumen Maintenance‡	50,000+ hours L50 @ 50° C (full output)
Electrical	Input Voltage	100 – 240 VAC, auto-switching, 50 / 60 Hz
	Power Consumption	50 W maximum at full output, steady state
Control	Interface	Data Enabler (DMX or Ethernet)
	Control System	Philips full range of controllers, including Light System Manager and iPlayer 3, or third-party DMX controllers
Physical	Dimensions (Height x Width x Depth)	7.1 x 12.5 x 4.9 in (172 x 317 x 125 mm)
	Weight	6.4 lb (2.9 kg)
	Housing	Die-cast aluminium, powder-coated finish.
	Lens	Frosted tempered glass
	Fixture Connections	6 ft (1.8 m) unified power / data cable
	Temperature	-40° – 122° F (-40° – 50° C) Operating -4° – 122° F (-20° – 50° C) Startup
	Humidity	0 – 95%, non-condensing
	Fixture Run Lengths Per Data Enabler*	33 @ 110 VAC 36 @ 120 VAC 52 @ 220 VAC 52 @ 240 VAC
Certification and Safety	Certification	UL / cUL, FCC Class A, CE, PSE
	LED Class	Class 2 LED product
	Environment	Dry / Damp / Wet Location, IP66

† Lumen measurement complies with IES LM-79-08

‡ L50 = 50% maintenance of lumen output. (When light output drops below 50% of initial output.)
Ambient temperature specified.

* These figures, provided as a guideline, are accurate for this configuration only.
Changing the configuration can affect the fixture run lengths.

Fixtures, Data Enablers, and Controllers

Item	Color	Item Number	Philips 12NC
ColorBlast Powercore UL / cUL 23° Beam Angle	White	123-000009-00	910503700154
	Black	123-000009-01	910503700155
ColorBlast Powercore CE / PSE 23° Beam Angle	White	123-000009-02	910503700156
	Black	123-000009-03	910503700157
Data Enabler (DMX)		106-000003-04	910403326801
Data Enabler (Ethernet)		106-000003-05	910503700064
Light System Manager		103-000015-00	910503700221
iPlayer 3, North America Power Cord		103-000019-00	910403327101
iPlayer 3, Europe Power Cord		103-000019-01	910503700392
ColorDial		103-000014-00	910403326901
Synchronizer		103-000001-00	910503700054
Multi Synchronizer		103-000002-00	910503700055

Use Item Number when ordering in North America.

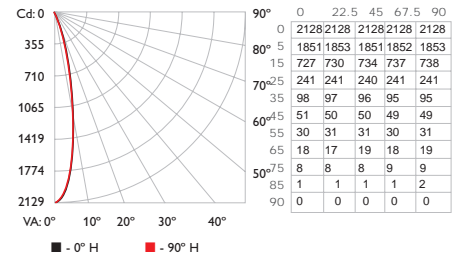


Philips Color Kinetics
3 Burlington Woods Drive
Burlington, Massachusetts 01803 USA
Tel 888.385.5742
Tel 617.423.9999
Fax 617.423.9998
www.colorkinetics.com

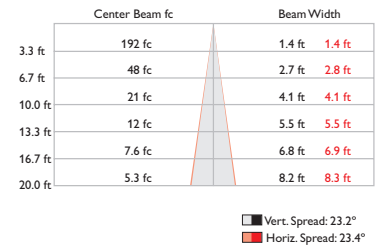
Photometrics

23° beam angle

Polar Candela Distribution



Illuminance at Distance



LED	Lumens	Watts	Efficacy
RGB	633	50	12.7
R	178		
G	348		
B	111		



ColorBlast Powercore is part of a complete system which includes fixtures and:

- One or more Data Enablers
- A Philips controller, such as Light System Manager or iPlayer 3, or third-party DMX controller
- 4-conductor copper wire

Accessories

Item	Type	Item Number	Philips 12NC
Accessory Holders	White (dry / damp / wet location)	120-000070-00	—
	Black (dry / damp / wet location)	120-000070-01	—
Half Top Hats	White (dry / damp / wet location)	120-000009-03	—
	Black (dry / damp / wet location)	120-000009-04	—
Top Hats	White (dry / damp / wet location)	120-000005-03	—
	Black (dry / damp / wet location)	120-000005-04	—
Egg Crate Louvers	White (dry / damp / wet location)	120-000015-03	—
	Black (dry / damp / wet location)	120-000015-04	—
Barndoors	White (dry / damp / wet location)	120-000019-03	—
	Black (dry / damp / wet location)	120-000019-04	—
Horizontal Spread Lens	36/50°	120-000025-00	—
Vertical Spread Lens	40°	120-000025-01	—

Copyright © 2008 – 2009 Philips Solid-State Lighting Solutions, Inc. All rights reserved. Chromacore, Chromasic, CK, the CK logo, Color Kinetics, the Color Kinetics logo, ColorBlast, ColorBlaze, ColorBurst, ColorGraze, ColorPlay, ColorReach, DIMand, EssentialWhite, eVW, iColor, iColor Cove, IntelliWhite, iW, iPlayer, Light Without Limits, Optibin, and Powercore are either registered trademarks or trademarks of Philips Solid-State Lighting Solutions, Inc. in the United States and/or other countries. All other brand or product names are trademarks or registered trademarks of their respective owners. Due to continuous improvements and innovations, specifications may change without notice

DAS-000008-03 R03 10-09