



# COLORBLAST

POWERED BY CHROMACORE



ColorBlast® is the first Chromacore®-powered product designed explicitly for washing walls with rich, saturated colors and color changing effects. The first member of the new Blast Light series of products from Color Kinetics, ColorBlast has been specifically designed with the needs of lighting designers, architects, and retail window directors in mind.

ColorBlast projects a soft-edge beam of light at a 24° beam angle. Each unit comes with a pre-programmed assortment of shows, or can be externally controlled by a DMX512 lighting console, a PC, or a Color Kinetics controller. The pre-programmed shows and a description of each are listed below.

ColorBlast can be used in both indoor and outdoor installations. The light fixture is enclosed in a stylish and rugged cast aluminum housing, and meets specifications for use in wet and damp locations. The housing is available with either black or white powder coat finish to match its environment, as well as to prevent oxidation. A single cable which provides both power and data to the light fixture is rated for outdoor installations.

The light fixture comes attached to a versatile base. The base can be mounted to a junction box on a wall or ceiling, or used as a stand on the floor. A swivel bracket is included to make positioning the fixture easy for the installer in wall and ceiling installations. An industrial-grade constant torque hinge provides the ability to aim the light quickly without needing any special tools. For installations that require the aiming to be permanently locked, set screws and an Allen wrench are also included.

For maximum ease of installation and operational versatility, Color Kinetics recommends using this fixture with the cMOPS power supply. It can also be powered and controlled using a Power/Data Adapter (ITEM#: 104-000006-00) with the C-Series Power Supply.

## COLORBLAST SPECIFICATIONS

<b>COLOR RANGE</b>	16.7 million (24bit) additive RGB colors; continuously variable intensity output range
<b>SOURCE</b>	High Brightness colored LEDs
<b>BEAM ANGLE</b>	24°
<b>DATA INTERFACE</b>	DMX512 (RS485) compatible; PC compatible with Smart Jack
<b>CONTROL</b>	Stand Alone or DMX512 (RS485)
<b>HOUSING</b>	Black or white aluminum
<b>CONNECTORS</b>	Unified power and data cable
<b>LISTINGS</b>	UL listed, CE certified, Rated IP65

## COMMUNICATION SPECIFICATIONS

<b>DATA INTERFACE</b>	DMX512 (RS485) compatible; PC compatible with Smart Jack
<b>CONTROL</b>	Stand Alone or DMX512 (RS485)

## ELECTRICAL SPECIFICATIONS

<b>POWER REQUIREMENT</b>	24 V DC
<b>POWER CONSUMPTION</b>	Maximum: 33 Watts
<b>POWER SUPPLY</b>	cMOPS (ITEM# 109-000003-00) or C-Series Power supply (ITEM# 109-000001-00)

## DESCRIPTION OF SHOWS

<b>FIXED COLOR</b>	Static display of a single color
<b>COLOR WASH</b>	Colors transition gracefully from color to color, cycling through the entire color wheel
<b>CROSS FADE</b>	Colors cycle back and forth gracefully between two colors
<b>RANDOM COLOR</b>	Colors step or jump from one color to the next in random order
<b>FIXED COLOR STROBE</b>	A constant color appears in a rapid series of intense flashes of light
<b>VARIABLE COLOR STROBE</b>	A sequence of colors appear in a rapid series of intense flashes of light

## MANUFACTURING DATA

To ensure the highest level of product reliability, this Color Kinetics design endured accelerated life test conditions including an operating temperature span of 360°F and cyclic loading up to 60G.



ITEM# 102-000001-00 (Black)  
102-000001-01 (White)

U.S. PATENTS 6,016,038 AND 6,150,774  
OTHER PATENTS PENDING

©2001-2002 Color Kinetics Incorporated. All rights reserved. Chromacore, Color Kinetics, the Color Kinetics logo, ColorBlast, ColorPlay, iColor, iPlayer, and Smartjuice are registered trademarks, and ColorScape, iColor Cove, and QuickPlay are trademarks of Color Kinetics Incorporated.

All other brand or product names are trademarks or registered trademarks of their respective owners.

BR0035 Rev 08

Specifications subject to change without notice.

**WARNING:** The power must be OFF before installing or removing the product. The DMX address should be assigned BEFORE the product is installed.

# COLORBLAST

## PHOTOMETRIC PERFORMANCE

### SOURCE SPECIFICATIONS

Optics: Ground glass diffuser  
 Source: 278 LEDs (108 Red, 85 Green, 85 Blue)  
 Beam Angle: 24° (at 50% of peak illuminance)  
 Distribution: Symmetric direct illumination  
 CCT: Adjustable 1,000–10,000K  
 CRI: Not measurable (CIE 13.3-1995)

### ILLUMINANCE DISTRIBUTION

1.6	3.2	5.1	5.1	3.2	1.6	6.0'/2.0m
14.5	28.5	46.3	46.6	29.0	14.7	
2.3	5.8	11.8	11.8	5.8	2.3	3.0'/1.0m
20.7	52.3	107	107	53.4	21.2	
3.0	9.6	25.8	25.8	9.6	3.0	3.0'/1.0m
26.7	85.3	232	234	88.0	27.3	
3.3	11.0	39.4	39.4	11.0	3.3	3.0'/1.0m
29.3	97.1	351	357	100	29.9	
3.1	8.0	23.7	23.7	8.0	3.1	3.0'/1.0m
28.0	70.5	208	212	72.3	28.5	
2.5	5.3	9.3	9.3	5.3	2.5	3.0'/1.0m
22.5	47.2	82.7	83.3	48.0	23.0	
						0.0'/0.0m

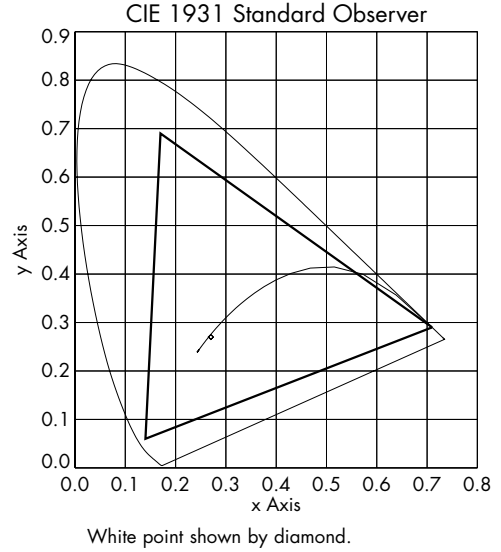
Units: Footcandles/Lux  
 Measured on: White  
 Distance from surface: 3'/1m (from bottom of grid with light at a 45° angle)  
 Multipliers: 0.30 Red, 0.55 Green, 0.15 Blue

### ILLUMINANCE

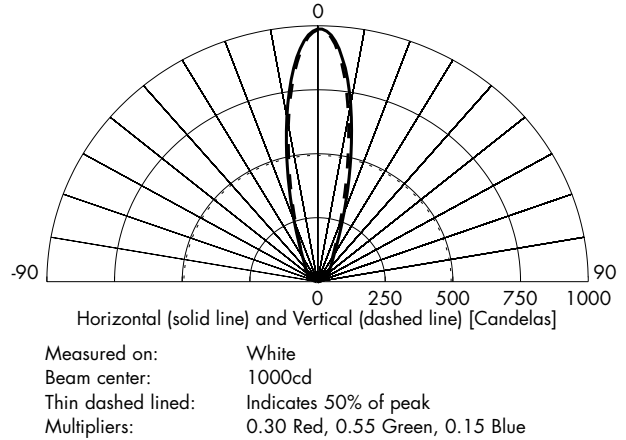
COLOR	3' 1m	6' 2m	9' 3m	12' 4m	15' 5m
WHITE	111.1 999.5	27.8 249.9	12.3 111.1	6.9 62.5	4.4 40.0
RED	33.3 299.9	8.3 75.0	3.7 33.3	2.1 18.7	1.3 12.0
GREEN	61.1 549.7	15.3 137.4	6.8 61.1	3.8 34.4	2.4 22.0
BLUE	16.7 149.9	4.2 37.5	1.9 16.7	1.0 9.4	0.7 6.0

Measured in Footcandles/Lux on axis.

### GAMUT



### CANDLE POWER DISTRIBUTION

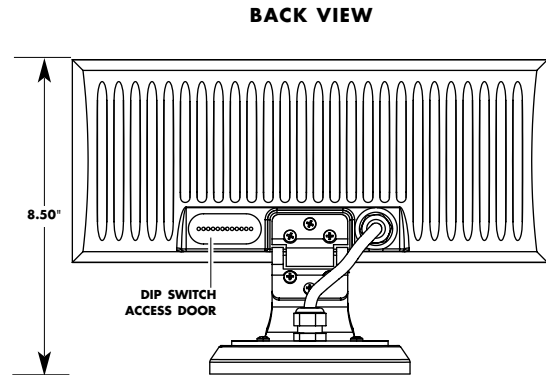
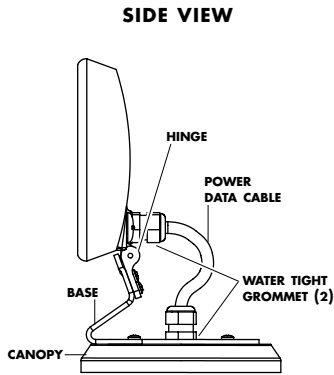
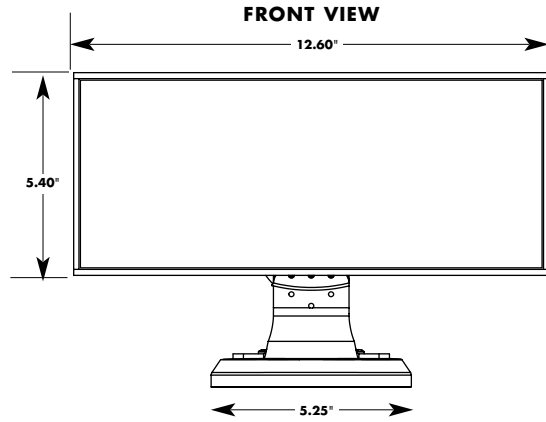
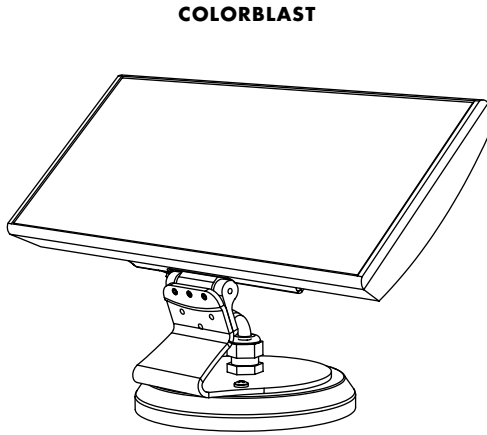


### LIGHT OUTPUT

COLOR	TOTAL OUTPUT (LUMENS)	POWER (WATTS)	EFFICACY (lm/w)
WHITE	460.0	31.3	14.7
RED	130.0	8.4	15.5
GREEN	260.0	12.0	21.7
BLUE	66.6	12.0	5.6

# COLORBLAST

## PHYSICAL DIMENSIONS

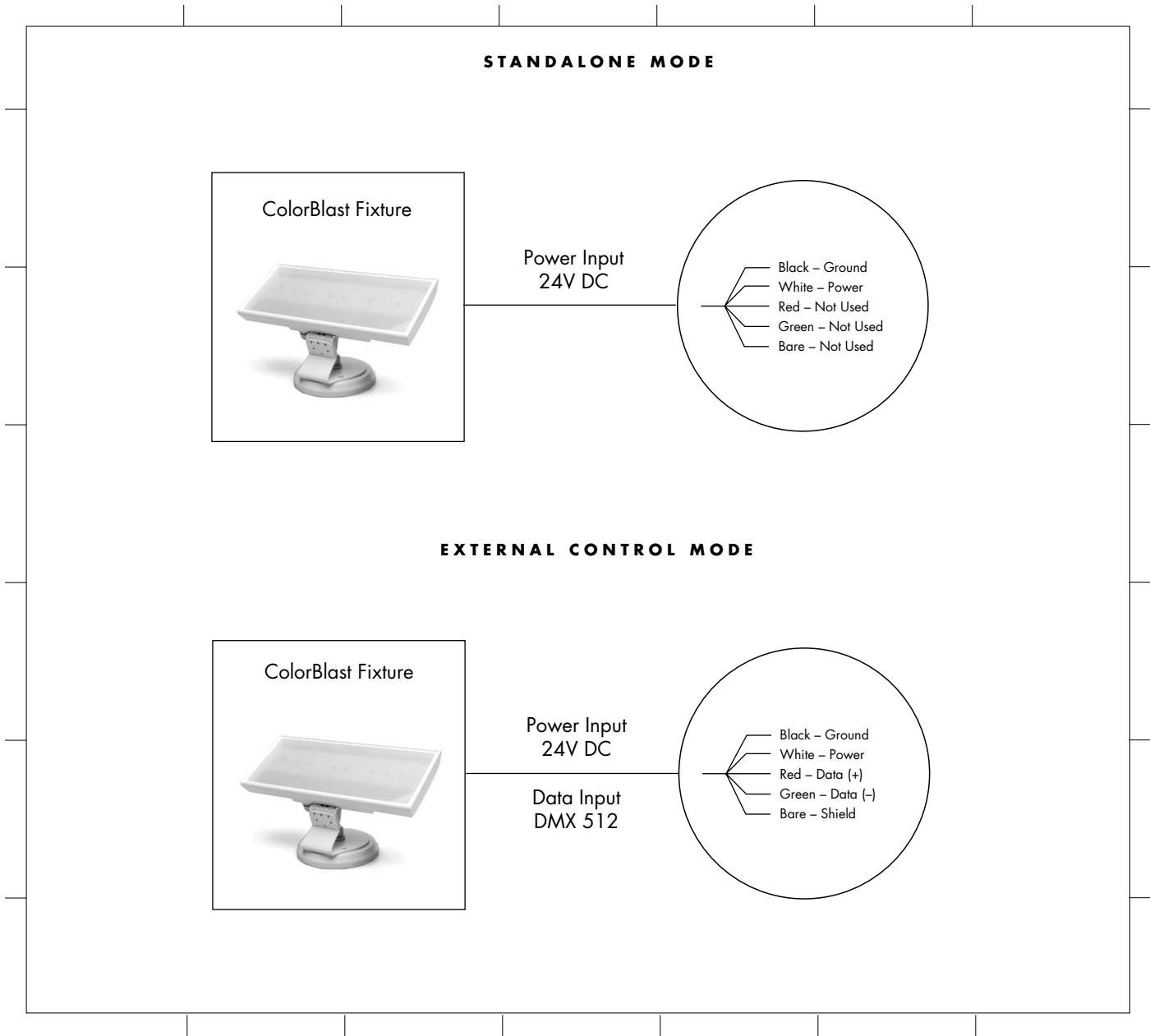


FIXTURE SHOWN AT MAXIMUM HEIGHT

<b>COLORBLAST</b>	
<b>ITEM# 102-000001-00/01</b>	
<b>WEIGHT</b>	4.0lbs. (1.8kg)
<b>POWER CONNECTOR</b>	Unified power and data cable
<b>POWER REQUIREMENT</b>	1.3A @ 24V DC (33W)
<b>SOURCE LIFE</b>	100,000 hours

# COLORBLAST

## WIRING DIAGRAM



### SOURCE LIFE

Color Kinetics illumination products utilize high brightness LEDs as the illumination source. LED manufacturers predict LED life of up to 100,000 hours MTBF (mean time between failure), the standard used by conventional lamp manufacturers to measure source life. However, like all basic light sources, LEDs also experience lumen depreciation over time. So while LEDs can emit light for an extremely long period of time, MTBF is not the only consideration in determining useful life. LED lumen depreciation is affected by numerous environmental conditions such as ambient temperature, humidity and ventilation. Lumen depreciation is also affected by means of control, thermal management, current levels, and a host of other electrical design considerations.

Color Kinetics systems are expertly engineered to optimize LED life when used under normal operating conditions [ambient temperature: -4° F to 104° F (-20° C to 40° C), humidity: 0-95% non-condensing humidity, adequate ventilation and air volume] and when operated using typical color-changing effects. Long-term operation outside of these ranges or conditions, or at the upper limits of these ranges or conditions, may subject the product to further degradation of the LED source life, or in extreme cases, failure of internal components. Source life information is based on LED manufacturers' data, as well as other third party testing..

### U.S. AND FOREIGN PATENTS AND PATENTS PENDING

Color Kinetics Incorporated grants the purchaser of its lighting products and controllers a personal and non-transferable license to use Chromacore®, its patented technology for networkable control of LED-based color-changing lighting fixtures for illumination, display and design. This license is granted only by Color Kinetics Incorporated, and may not be transferred except by the grantor. The design, duplication, manufacture, or sale of other products using networkable control of LED-based color-changing lighting may be prohibited and is not licensed hereunder. Other patents pending.