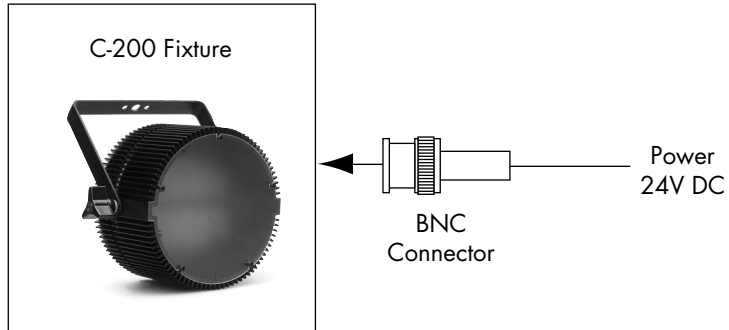


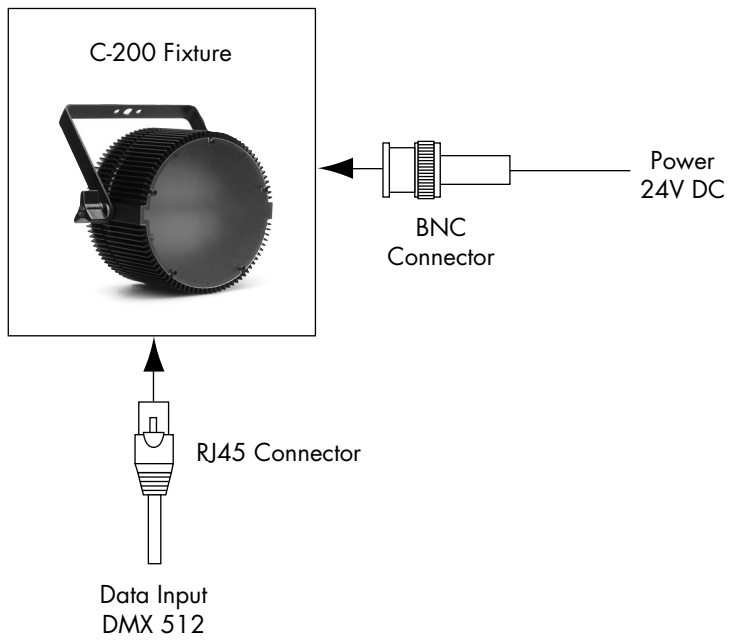
C-200 FIXTURE

WIRING DIAGRAM

STANDALONE MODE



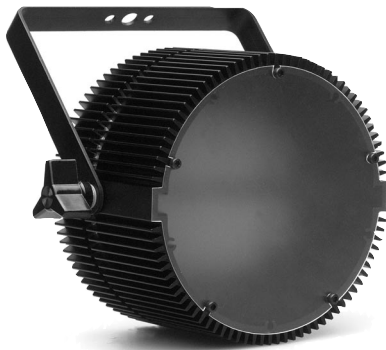
EXTERNAL CONTROL MODE





C-200 FIXTURE

POWERED BY CHROMACORE



Color Kinetics® C-200 is the largest and brightest fixture in the C-Series. This fixture projects a soft-edge beam of light at a 22° beam angle. C-200 fixtures operate in either Stand Alone or external control mode. Using on-board intelligence, they run a pre-programmed assortment of shows including color washes, random color changes, fixed colors, ultra smooth cross fades, and strobes. Shows can then be varied by speed, direction, saturation, etc. Alternatively, C-200 fixtures can be controlled via DMX512 (RS485) networks for the ultimate in flexibility and control.

C-200 fixtures operate from the C-Series Power Supply and the Multi Output Power Supply. These power supplies accept input voltages between 100-240V AC. C-200 fixtures are made from extruded aluminum with a black anodized finish and come equipped with a diffuser lens and hanging yoke.

C-200 SPECIFICATIONS

COLOR RANGE	16.7 million (24bit) additive RGB colors; continuously variable intensity output range
SOURCE	High brightness colored LEDs
BEAM ANGLE	22°
HOUSING	Black aluminum
CONNECTORS	RJ45 data connectors, BNC power connector
LISTINGS	UL Listed, CE Certified

COMMUNICATION SPECIFICATIONS

DATA INTERFACE	DMX512 (RS485) compatible; serial port compatible with Smart Jack Adapter
CONTROL	Stand Alone or DMX512 (RS485)

ELECTRICAL SPECIFICATIONS

POWER REQUIREMENT	24V DC
POWER CONSUMPTION	Maximum: 24 Watts
POWER SUPPLY	C-Series Power Supply (ITEM# 109-000001-00), Multi Output Power Supply (ITEM # 109-000002-00)

DESCRIPTION OF SHOWS

FIXED COLOR	Static display of a single color
COLOR WASH	Colors transition gracefully from color to color, cycling through the entire color wheel
CROSS FADE	Colors cycle back and forth gracefully between two colors
RANDOM COLOR	Colors step or jump from one color to the next in random order
FIXED COLOR STROBE	A constant color appears in a rapid series of intense flashes of light
VARIABLE COLOR STROBE	A sequence of colors appear in a rapid series of intense flashes of light

MANUFACTURING DATA

To ensure the highest level of product reliability, this Color Kinetics design endured accelerated life test conditions including an operating temperature span of 360°F and cyclic loading up to 60G.



ITEM# 100-000003-00

U.S. PATENTS 6,016,038, 6,150,774 AND 6,211,626
OTHER PATENTS PENDING

©2001-2002 Color Kinetics Incorporated. All rights reserved. Chromacore, Color Kinetics, the Color Kinetics logo, ColorBlast, ColorPlay, iColor, iPlayer, and SmartJuice are registered trademarks, and ColorScope, iColor Cove, and QuickPlay are trademarks of Color Kinetics Incorporated.

All other brand or product names are trademarks or registered trademarks of their respective owners.

BR0008 Rev 07

Specifications subject to change without notice.

WARNING: The power must be OFF before installing or removing the product. The DMX address should be assigned BEFORE the product is installed.

SOURCE LIFE

Color Kinetics illumination products utilize high brightness LEDs as the illumination source. LED manufacturers predict LED life of up to 100,000 hours MTBF (mean time between failure), the standard used by conventional lamp manufacturers to measure source life. However, like all basic light sources, LEDs also experience lumen depreciation over time. So while LEDs can emit light for an extremely long period of time, MTBF is not the only consideration in determining useful life. LED lumen depreciation is affected by numerous environmental conditions such as ambient temperature, humidity and ventilation. Lumen depreciation is also affected by means of control, thermal management, current levels, and a host of other electrical design considerations.

Color Kinetics systems are expertly engineered to optimize LED life when used under normal operating conditions [ambient temperature: -4° F to 104° F (-20° C to 40° C), humidity: 0-95% non-condensing humidity, adequate ventilation and air volume] and when operated using typical color-changing effects. Long-term operation outside of these ranges or conditions, or at the upper limits of these ranges or conditions, may subject the product to further degradation of the LED source life, or in extreme cases, failure of internal components. Source life information is based on LED manufacturers' data, as well as other third party testing.

U.S. AND FOREIGN PATENTS AND PATENTS PENDING

Color Kinetics Incorporated grants the purchaser of its lighting products and controllers a personal and non-transferable license to use Chromacore®, its patented technology for networkable control of LED-based color-changing lighting fixtures for illumination, display and design. This license is granted only by Color Kinetics Incorporated, and may not be transferred except by the grantor. The design, duplication, manufacture, or sale of other products using networkable control of LED-based color-changing lighting may be prohibited and is not licensed hereunder. Other patents pending.

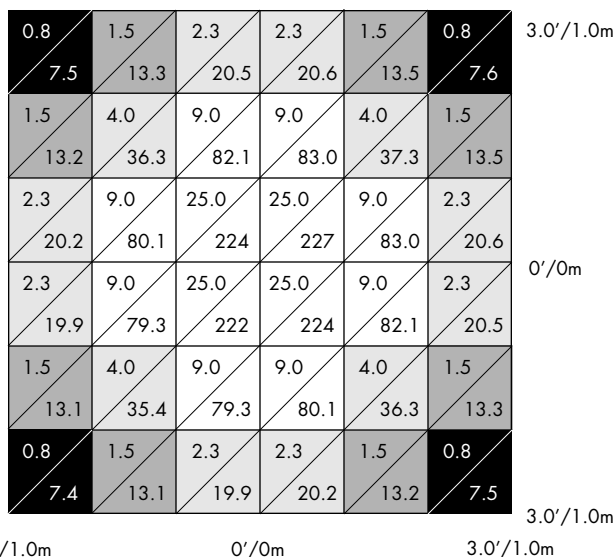
C-200 FIXTURE

PHOTOMETRIC PERFORMANCE

SOURCE SPECIFICATIONS

Optics: Polycarbonate diffuser
 Source: 192 LEDs
 (72 Red, 60 Green, 60 Blue)
 Beam Angle: 22° (at 50% of peak illuminance)
 Distribution: Symmetric direct illumination
 CCT: Adjustable 1,000K-10,000K
 CRI: Not measurable (CIE 13.3-1995)

ILLUMINANCE DISTRIBUTION



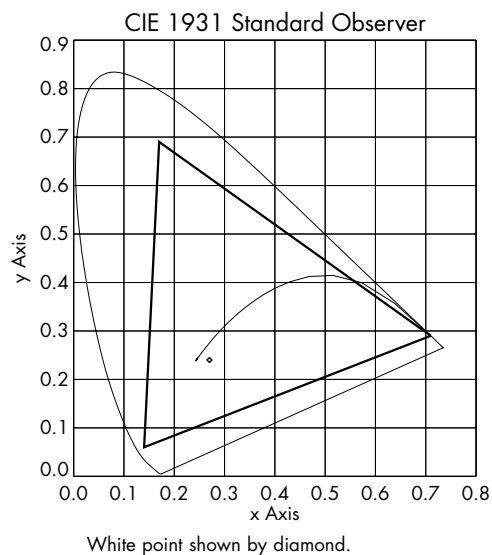
Units: Footcandles/Lux
 Measured on: White
 Distance from surface: 3'/1m (from center of grid)
 Multipliers: 0.31 Red, 0.54 Green, 0.16 Blue

ILLUMINANCE

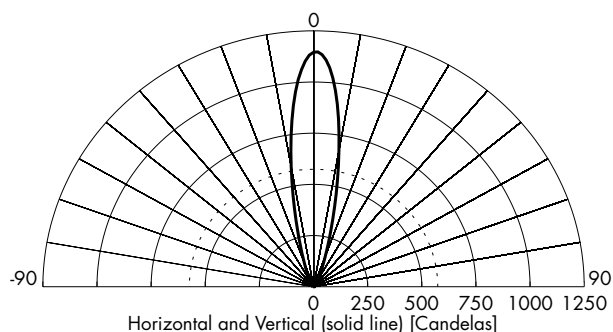
COLOR	3'	6'	9'	12'	15'
	1m	2m	3m	4m	5m
WHITE	128.9	32.2	14.3	8.1	5.2
	1159.7	289.9	128.9	72.5	46.4
RED	40.0	10.0	4.4	2.5	1.6
	359.5	89.9	39.9	22.5	14.4
GREEN	69.6	17.4	7.7	4.4	2.8
	626.2	156.6	69.6	39.1	25.0
BLUE	20.6	5.2	2.3	1.3	0.8
	185.5	46.4	20.6	11.6	7.4

Measured in Footcandles/Lux on axis.

GAMUT



CANDLE POWER DISTRIBUTION



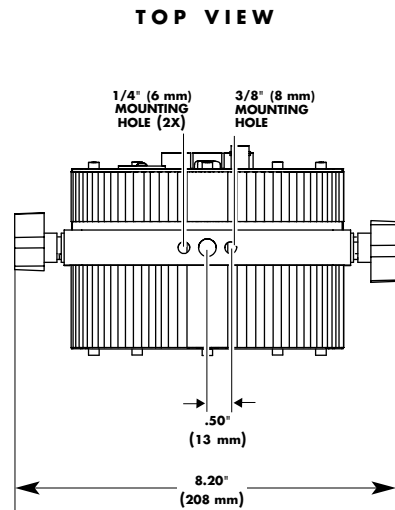
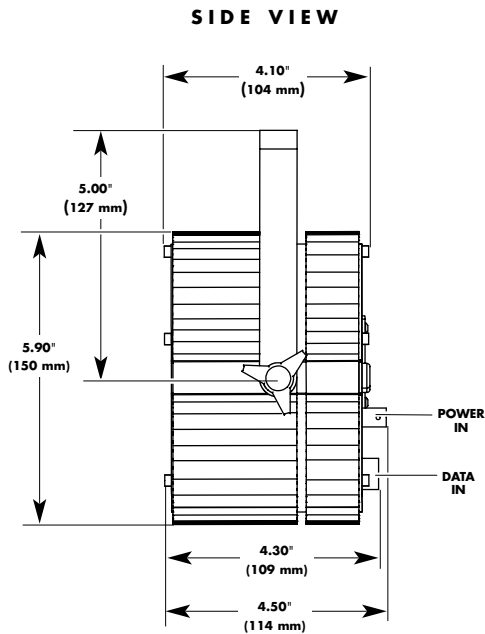
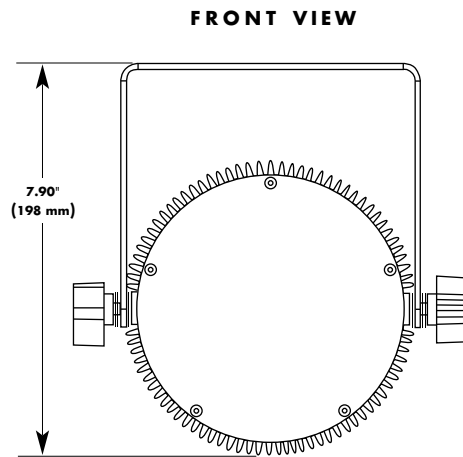
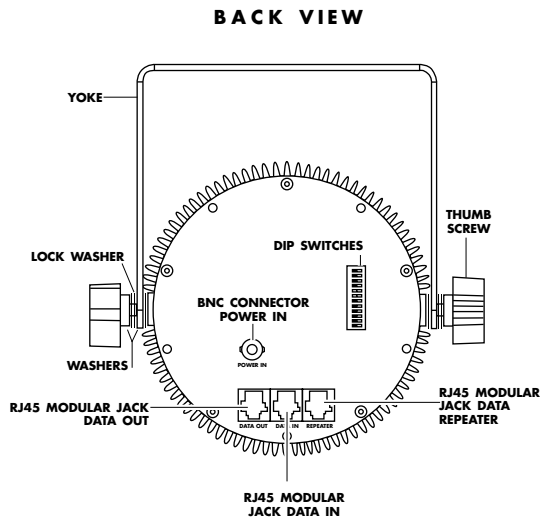
Measured on: White
 Beam center: 1160 cd
 Thin dashed lined: Indicates 50% of peak
 Multipliers: 0.31 Red, 0.54 Green, 0.16 Blue

LIGHT OUTPUT

COLOR	TOTAL OUTPUT (LUMENS)	POWER (WATTS)	EFFICACY (lm/w)
WHITE	250.0	25.0	10.0
RED	70.5	8.1	8.7
GREEN	141.5	9.0	15.7
BLUE	41.3	9.0	4.6

C-200 FIXTURE

PHYSICAL DIMENSIONS



C-200 FIXTURE ITEM # 100-000003-00	
WEIGHT	2 lbs 12 oz (1.2 kg)
DATA	RJ45 data input, output and repeater ports
POWER CONNECTOR	BNC connector – female
POWER REQUIREMENT	975 mA @ 24V DC (24W)