

# C-SPLASH

POWERED BY CHROMACORE®



Color Kinetics® C-Splash is the submersible member of the C-Series family of fixtures. It is designed to operate in any type of underwater location up to three feet deep, including water treated with bromine or chlorine. C-Splash is perfect for fountains and theme park applications.

**NOTE:** C-Splash is designed for underwater use ONLY, and should NOT be used in human-occupied underwater locations, such as pools and spas.

This fixture projects a soft-edge beam of light at a 22° beam angle. Each C-Splash unit comes with pre-programmed shows that can be varied by speed, direction, saturation, and other variables using Zapi (ITEM# 103-000005-00), a hand-held remote programmer from Color Kinetics. In addition to programming stand-alone effects, Zapi can also assign DMX addresses to C-Splash fixtures so they can be controlled with a lighting console or a Color Kinetics controller.

C-Splash comes with a unified power and data cable to minimize wiring. For maximum ease of installation, operation, and safety, Color Kinetics recommends using this fixture with an sMOPS-150 power supply.

The C-Splash fixture consists of a cast brass housing and yoke with silicon bronze adjusting hardware, and is bronze in color. It also comes equipped with a ground, tempered glass lens.

## C-SPLASH SPECIFICATIONS

<b>COLOR RANGE</b>	16.7 million (24bit) additive RGB colors; continuously variable intensity output range
<b>SOURCE</b>	High brightness colored LEDs
<b>BEAM ANGLE</b>	22°
<b>DATA INTERFACE</b>	DMX512 (RS485) compatible
<b>CONTROL</b>	Stand Alone or DMX512 (RS485)
<b>HOUSING</b>	Cast brass
<b>CONNECTORS</b>	Unterminated power and data cable
<b>LISTINGS</b>	UL listed, CE Certified

## ELECTRICAL SPECIFICATIONS

<b>POWER REQUIREMENT</b>	24 V DC
<b>POWER CONSUMPTION</b>	Maximum: 24 Watts
<b>POWER SUPPLY</b>	Color Kinetics sMOPS-150 (ITEM#:109-000007-00)

## ENVIRONMENTAL SPECIFICATIONS

<b>RECOMMENDED TEMPERATURE RANGE</b>	- 4° F to 104°F (- 20° C to 40° C)
<b>SUBMERSION DEPTH</b>	Up to 3 feet; Only for use in fully submerged installations

## DESCRIPTION OF SHOWS

<b>FIXED COLOR</b>	Static display of a single color
<b>COLOR WASH</b>	Colors transition gracefully from color to color, cycling through the entire color wheel
<b>CROSS FADE</b>	Colors cycle back and forth gracefully between two colors
<b>RANDOM COLOR</b>	Colors step or jump from one color to the next in random order
<b>FIXED COLOR STROBE</b>	A constant color appears in a rapid series of intense flashes of light
<b>VARIABLE COLOR STROBE</b>	A sequence of colors appear in a rapid series of intense flashes of light

## SOURCE LIFE

Color Kinetics illumination products utilize high brightness LEDs as the illumination source. LED manufacturers predict LED life of 100,000 hours, based upon various definitions of end of life, under normal operating conditions [ambient temperature: -4°F to 104°F (-20°C to 40°C), humidity: 0-95% non-condensing humidity, adequate ventilation and air volume]. Color Kinetics predicts source life based on these manufacturers predictions, as well as our own testing. The predicted source life for these intelligent fixtures assumes typical color-changing effects where the outputs of each discrete colored LED are controlled and constantly change over time. Long term operation outside of these ranges or conditions, or at the upper limits of these ranges or conditions, may subject the product to accelerated degradation of the LED source life, or in extreme cases, failure of internal components.



ITEM# 100-000008-00

U.S. PATENTS 6,016,038 AND 6,150,774  
OTHER PATENTS PENDING

©2001 Color Kinetics Incorporated. All rights reserved.  
Chromacore, Color Kinetics, the Color Kinetics logo, Colorblast, ColorPlay, iColor, iPlayer, and Smartjuice are registered trademarks, and ColorScope and Coup de Color are trademarks of Color Kinetics Incorporated.

All other brand or product names are trademarks or registered trademarks of their respective owners.

BR0076 Rev 01

Specifications subject to change without notice.

**WARNING:** The power must be OFF before installing or removing the product. The DMX address should be assigned BEFORE the product is installed.

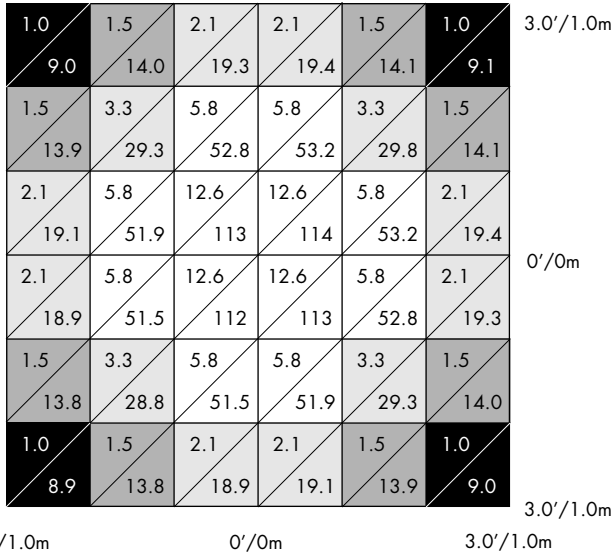
# C-SPLASH

## PHOTOMETRIC PERFORMANCE

### SOURCE SPECIFICATIONS

Optics: Ground Glass diffuser  
 Source: 180 LEDs  
 (60 Red, 60 Green, 60 Blue)  
 Beam Angle: 22° (at 50% of peak illuminance)  
 Distribution: Symmetric direct illumination  
 CCT: Adjustable 1,000K-10,000K  
 CRI: Not measurable (CIE 13.3-1995)

### ILLUMINANCE DISTRIBUTION



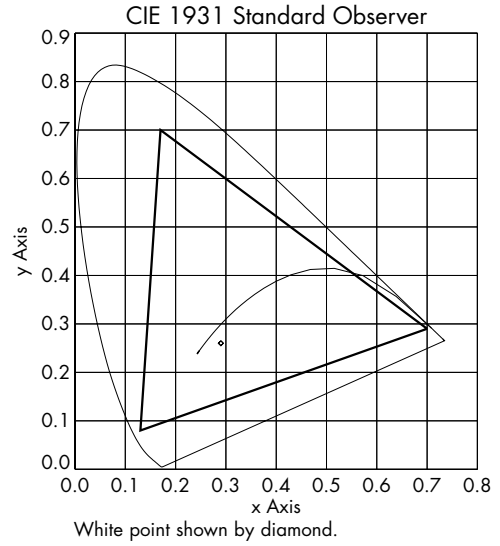
Units: Footcandles/Lux  
 Measured on: White  
 Distance from surface: 3'/1m (from center of grid)  
 Multipliers: 0.27 Red, 0.55 Green, 0.18 Blue

### ILLUMINANCE

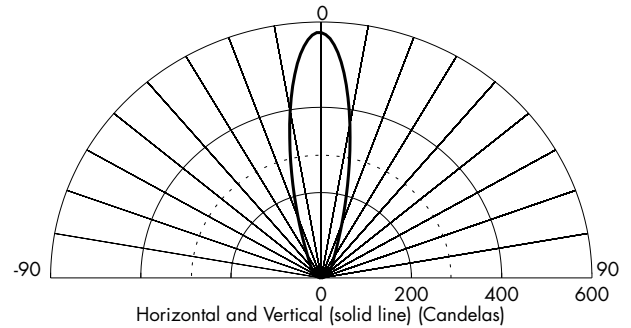
COLOR	3'	6'	9'	12'	15'
	1m	2m	3m	4m	5m
WHITE	64.0 575.8	16.0 143.9	7.1 64.0	4.0 36.0	2.6 23.0
RED	17.3 155.5	4.3 38.9	1.9 17.3	1.1 9.7	0.7 6.2
GREEN	35.2 316.7	8.8 79.2	3.9 35.2	2.2 19.8	1.4 12.7
BLUE	11.5 103.6	2.9 25.9	1.3 11.5	0.7 6.5	0.5 4.1

Measured in Footcandles/Lux on axis.

### GAMUT



### CANDLE POWER DISTRIBUTION



Measured on: White  
 Beam center: 575 cd  
 Thin dashed lined: Indicates 50% of peak  
 Multipliers: 0.27 Red, 0.55 Green, 0.18 Blue

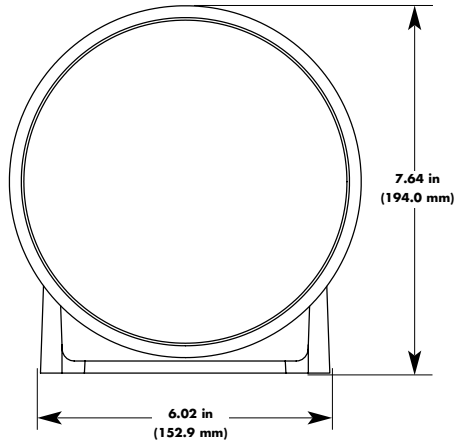
### LIGHT OUTPUT

COLOR	TOTAL OUTPUT (LUMENS)	POWER (WATTS)	EFFICACY (lm/w)
WHITE	22.0	21.0	10.8
RED	61.0	4.8	12.7
GREEN	125.0	8.2	15.2
BLUE	41.0	8.2	5.0

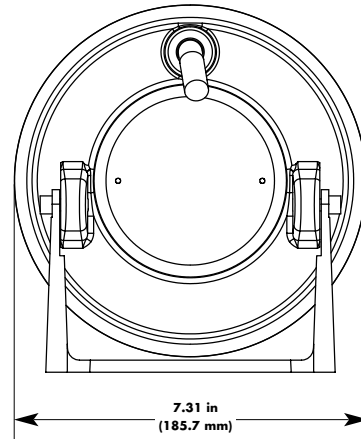
# C-SPLASH

## PHYSICAL DIMENSIONS

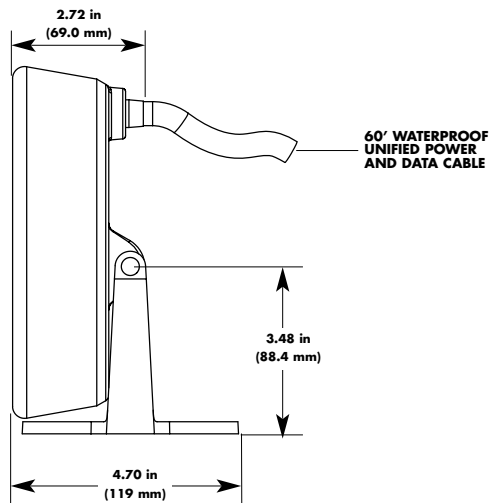
**FRONT VIEW**



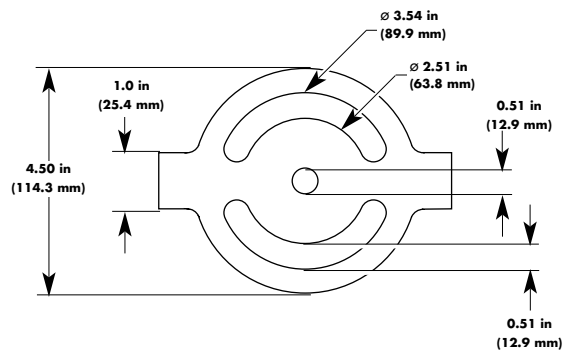
**BACK VIEW**



**SIDE VIEW**



**MOUNTING YOKE  
BASE PLATE**

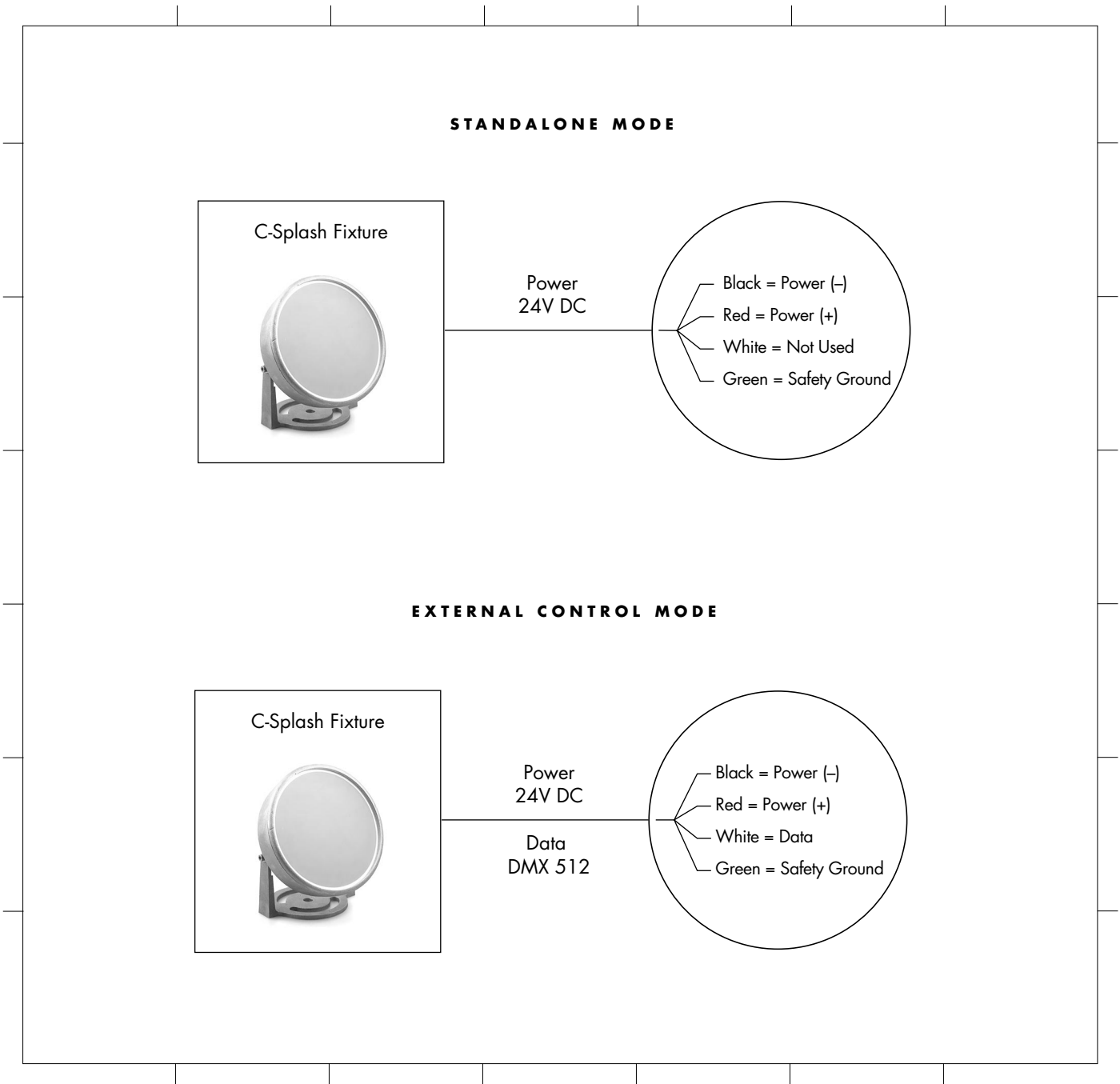


**C-SPLASH FIXTURE  
ITEM # 100-000008-00**

<b>WEIGHT</b>	15 lbs
<b>DATA</b>	Unified power/data input cable
<b>POWER CONNECTOR</b>	60' unterminated pigtail
<b>POWER REQUIREMENTS</b>	930 mA @ 24VDC (24W)

# C-SPLASH

## WIRING DIAGRAM



### MANUFACTURING DATA

To ensure the highest level of product reliability, this Color Kinetics design endured accelerated life test conditions including an operating temperature span of 360°F and cyclic loading up to 60G.

### U.S. AND FOREIGN PATENTS AND PATENTS PENDING

Color Kinetics Incorporated grants the purchaser of its lighting products and controllers a personal and non-transferable license to use Chromacore®, its patented technology for networkable control of LED-based color-changing lighting fixtures for illumination, display and design. This license is granted only by Color Kinetics Incorporated, and may not be transferred except by the grantor. The design, duplication, manufacture, or sale of other products using networkable control of LED-based color-changing lighting may be prohibited and is not licensed hereunder. Other patents pending.