

iW Graze QLX Powercore

Date: _____
Type: _____
Firm Name: _____
Project: _____

15° x 30° Beam Angle, 1219 mm (4 ft)

Performance exterior linear grazing luminaire with tunable white light

iW Graze QLX Powercore is a high-performance, exterior linear luminaire perfect for surface illumination applications calling for a balance of cost and performance. It is designed to highlight architectural features ranging from surface textures and molding details to archways and windows. Graze Intelligent White luminaires offer channels of cool, neutral, and warm white LEDs to offer color temperatures ranging from 2700 K to 6500 K. Multiple fixture lengths, beam angles, output levels, and power consumption levels support a large range of façade or surface illumination applications. Low-profile housing, connectorized cabling, a universal power input range, and direct line voltage operation make Graze luminaires easy to install and operate.



- Tailor light output to specific applications—Available in four standard lengths (1 ft, 2 ft, 3 ft, and 4 ft), four performance levels (MX, QLX, QLX 5W, and EC), and six standard 9° x 9°, 10° x 60°, 15° x 30°, 30° x 60°, 60° x 30°, and 90° x 90° (EC only) beam angles.
- Flexible integration—Graze's ultra-low profile lets it fit discretely into almost any layout, from simple to elaborate.
- Customizable accessories - Customize your Graze luminaire with a choice of three accessories: mounting arm, masking shield, and graze louver. Mounting arm available in three sizes and three colors (black, white, and gray), and masking shield available in four lengths (1 ft, 2 ft, 3 ft, and 4 ft).
- Integrates patented Powercore technology that controls power output to luminaires directly from line voltage – rapidly, efficiently, and accurately. The Color Kinetics Data Enabler Pro merges line voltage with control data and delivers them to luminaires over a single standard cable, dramatically simplifying installation and lowering total system cost.
- Graze provides years of reliable use under rugged conditions by meeting ANSI C136.31- 2010 standard with a 3G vibration rating, and elimination of water pooling on the lens.
- Works seamlessly with the Color Kinetics full range of controllers, including Light System Manager, Video System Manager, Video System Manager Pro, iPlayer 3, Antumbra iColor Keypad, and ColorDial Pro—as well as third-party controllers.
- Convenient push-and-click connectors let you easily and rapidly install Leader Cables and Jumper Cables. Constant torque locking hinges offer simple and consistent position control from various angles.

For detailed product information, please refer to the Graze Product Guide at www.colorkinetics.com/global/products/intelliwhite/iwgrazeqlxpowercore/

Specifications

Due to continuous improvements and innovations, specifications may change without notice.

Output

| | |
|-------------------------------|----------------------|
| Color Temperature* | 2700 K to 6500 K |
| Beam Angle | 15° x 30° |
| Lumens† | 2,692 |
| Efficacy (lm/W) ^{§§} | 33.7 |
| CRI | 83 |
| LED Channels | 2700 K/4000 K/6500 K |

Electrical

| | |
|---|--|
| Input Voltage | 100 to 277 VAC, auto-ranging, 50/60 Hz |
| Power Consumption (Maximum at full output, steady state) | 60 W |
| Surge Limits¶ | 1 kV maximum differential (L to N) 2 kV maximum common (L to Gnd or N to Gnd) |

For additional Surge Protection Requirements for LED Lighting Systems, please refer to www.colorkinetics.com/KB/surge-protection.

Control

| | |
|-----------|------------------------------------|
| Interface | Data Enabler Pro (DMX or Ethernet) |
|-----------|------------------------------------|

Control System

Color Kinetics full range of controllers, including Light System Manager, Video System Manager Pro, iPlayer 3, Antumbra iColor Keypad, and ColorDial Pro, or third-party controllers

| | |
|--------------------------------|--|
| Remote Monitoring & Management | Philips ActiveSite Ready, works with Interact Landmark |
|--------------------------------|--|

Lumen Maintenance

| Threshold [§] | Ambient Temperature | Reported¶¶ | Calculated¶¶ |
|------------------------|---------------------|------------|--------------|
| L ₇₀ | 25 °C | 60,000 | |
| | 50 °C | 60,000 | |
| L ₅₀ | 25 °C | 60,000 | |
| | 50 °C | 60,000 | |

* Correlated color temperature (CCT) complies with ANSI C78.377-2008 for the chromaticity of solid state lighting products.

† 305 mm (1 ft) lumen output measurements comply with IES LM-79-08 testing procedures. 610 mm (2 ft), 914 mm (3 ft), and 1219 mm (4 ft) measurements are estimated based on the 305 mm (1 ft) measurements.

§ Lxx = xx% lumen maintenance (when light output drops below xx% of initial output). All values are given at B10, or the median value where 90% of the LED population is better than the reported or calculated lumen maintenance measurement.

¶ Minimum surge limits per IEC 61547, tested in accordance with IEC 61000-4-5.

§§ Efficacy measurements are estimated based on the 305 mm (1 ft) measurements.

¶¶ Lumen maintenance figures are based on lifetime prediction graphs supplied by LED source manufacturers. Whenever possible, figures use measurements that comply with IES LM-80-08 testing procedures. In accordance with TM-21-11, Reported values represent the interpolated value based on six times the LM-80-08 total test duration (in hours). Calculated values represent time durations that exceed six times the total test duration.

Physical

| | |
|--|--|
| Dimensions (Height x Width x Depth) | 68 x 1219 x 72 mm (2.7 x 48 x 2.85 in) |
| Weight | 4.2 kg (9.3 lb) |
| Housing Material | Extruded anodized aluminium |
| Lens | Clear UV-protected polycarbonate |
| Luminaire Connections | Integral male/female waterproof connectors |
| Mounting | Multi-positional, constant torque locking hinges |

Temperature Ranges

| |
|--|
| -40 to 50 °C (-40 to 122 °F) Operating |
| -20 to 50 °C (-4 to 122 °F) Startup |
| -40 to 80 °C (-40 to 176 °F) Storage |

Vibration Resistance

Not compliant to ANSI C136.31, 3G. Special orders are available to conform to the standard. Please contact your Color Kinetics Lighting Sales rep for custom configurations.

| | |
|-------------------|------|
| Mechanical Impact | IK10 |
|-------------------|------|

Corrosion Resistance

Not suitable for salt spray or harsh chemical environments. Please refer to www.colorkinetics.com/KB/corrosion-resistance for more information.

| | |
|----------|--------------------------|
| Humidity | 0 to 95%, non-condensing |
|----------|--------------------------|

Luminaire Run Lengths

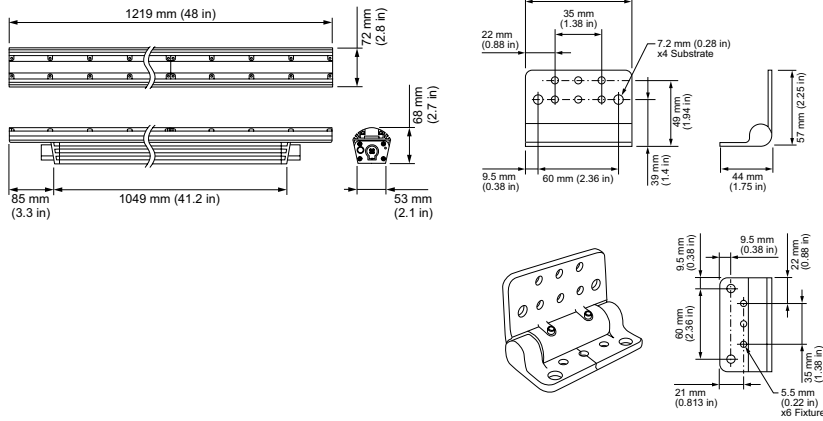
To calculate luminaire run lengths and total power consumption for your specific installation, download the Configuration Calculator from www.colorkinetics.com/support/install_tool/

Certification and Safety

| | |
|-------------|----------------------------------|
| Approbation | UL/cUL, FCC Class A, PSE, C-Tick |
| Environment | Dry/Damp/Wet Location, IP66 |



Dimensions



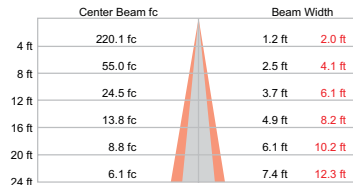
Photometrics 305 mm (1 ft), 15° x 30° beam angle

Photometric data is based on test results from an independent NIST traceable testing lab. IES data is available at www.colorkinetics.com/global/support/ies.

| | |
|-----------------|-----------|
| Beam Angle | 15° x 30° |
| Lumens | 673 |
| Efficacy (lm/W) | 33.7 |



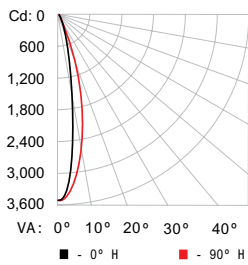
Illuminance at Distance



Zonal Lumen

| ZONE | LUMENS | %FIXT |
|--------|--------|-------|
| 0- 30 | 625 | 92.9 |
| 0- 40 | 650 | 96.5 |
| 0- 60 | 666 | 99.0 |
| 0- 90 | 673 | 100.0 |
| 90-120 | 0 | 0.0 |
| 90-130 | 0 | 0.0 |
| 90-150 | 0 | 0.0 |
| 90-180 | 0 | 0.0 |
| 0-180 | 673 | 100.0 |

Polar Candela Distribution



| Angle (°) | 0.0 | 22.5 | 45.0 | 67.5 | 90.0 |
|-----------|------|------|------|------|------|
| 0 | 3522 | 3522 | 3522 | 3522 | 3522 |
| 5 | 2794 | 2857 | 3019 | 3184 | 3255 |
| 15 | 548 | 625 | 892 | 1355 | 1646 |
| 25 | 75 | 88 | 142 | 280 | 415 |
| 35 | 19 | 21 | 28 | 48 | 68 |
| 45 | 9 | 10 | 11 | 15 | 18 |
| 55 | 6 | 6 | 6 | 8 | 9 |
| 65 | 4 | 4 | 4 | 5 | 5 |
| 75 | 2 | 2 | 2 | 2 | 2 |
| 85 | 1 | 1 | 1 | 1 | 1 |
| 90 | 0 | 0 | 0 | 0 | 0 |

Coefficients of Utilization - Zonal Cavity Method

Effective Floor Cavity Reflectance: 20%

| RC | 80 | | | 70 | | | 50 | | | 30 | | | 10 | | | 0 |
|----|--------------|--------------|--------------|-----------|-----------|-----|----|----|----|----|----|----|----|----|----|---|
| Rw | 70 | 50 | 30 | 10 | 70 | 50 | 30 | 10 | 50 | 30 | 10 | 50 | 30 | 10 | 0 | |
| 0 | 119119119119 | 116116116116 | 111111111111 | 106106106 | 102102102 | 100 | | | | | | | | | | |
| 1 | 115113111109 | 112111109107 | 107105104 | 103102101 | 100 | 99 | 98 | 96 | | | | | | | | |
| 2 | 111107104102 | 109106103100 | 102100 | 98 | 100 | 98 | 96 | 97 | 95 | 94 | 93 | | | | | |
| 3 | 107103 | 99 | 96 | 106101 | 98 | 95 | 99 | 96 | 94 | 95 | 94 | 92 | 91 | 90 | | |
| 4 | 104 | 98 | 94 | 91 | 102 | 97 | 94 | 91 | 95 | 92 | 90 | 94 | 91 | 89 | 92 | |
| 5 | 101 | 95 | 91 | 87 | 99 | 94 | 90 | 87 | 92 | 89 | 86 | 91 | 88 | 86 | 89 | |
| 6 | 98 | 92 | 87 | 84 | 97 | 91 | 87 | 84 | 90 | 86 | 83 | 88 | 85 | 83 | 87 | |
| 7 | 95 | 89 | 84 | 81 | 94 | 88 | 84 | 81 | 87 | 83 | 81 | 86 | 83 | 80 | 85 | |
| 8 | 93 | 86 | 82 | 79 | 92 | 85 | 81 | 79 | 85 | 81 | 78 | 84 | 80 | 78 | 83 | |
| 9 | 90 | 83 | 79 | 77 | 89 | 83 | 79 | 76 | 82 | 79 | 76 | 82 | 78 | 76 | 81 | |
| 10 | 88 | 81 | 77 | 74 | 87 | 81 | 77 | 74 | 80 | 77 | 74 | 80 | 76 | 74 | 79 | |

For lux multiply fc by 10.7

Luminaire and Accessories

Use Item Number when ordering in North America

| Luminaire | Item Number | Item 12NC |
|---|---------------|--------------|
| iW Graze QLX Powercore, 15° x 30° Beam Angle, 1219 mm (4 ft) | 523-000079-37 | 910503703681 |
| Accessories | | |
| Inground Enclosure, Inner Box for 1219 mm (4 ft) luminaire | 120-000190-06 | 912400133690 |
| Inground Enclosure, Outer Box for 1219 mm (4 ft) luminaire | 120-000190-07 | 912400133691 |
| Leader Cable with Terminator, UL/cUL, 3 m (10 ft) | 108-000055-03 | 910503704066 |
| Leader Cable with Terminator, UL/cUL, 15.2 m (50 ft) | 108-000055-00 | 910503703137 |
| Leader Cable with Terminator, CE/PSE, 3 m (10 ft) | 108-000055-04 | 910503704067 |
| Leader Cable with Terminator, CE/PSE, 15.2 m (50 ft) | 108-000055-01 | 910503704064 |
| Jumper Cable, UL/cUL, End-to-End | 108-000057-00 | 910503703139 |
| Jumper Cable, UL/cUL, 305 mm (1 ft) | 108-000057-03 | 910503704076 |
| Jumper Cable, UL/cUL, 1.5 m (5 ft) | 108-000057-06 | 910503704079 |
| Jumper Cable, UL/cUL, 3 m (10 ft) | 108-000057-09 | 910503704082 |
| Jumper Cable, CE/PSE, End-to-End | 108-000057-01 | 910503704074 |
| Jumper Cable, CE/PSE, 305 mm (1 ft) | 108-000057-04 | 910503704077 |
| Jumper Cable, CE/PSE, 1.5 m (5 ft) | 108-000057-07 | 910503704080 |
| Jumper Cable, CE/PSE, 3 m (10 ft) | 108-000057-10 | 910503704083 |
| Glare Shield, 1219 mm (4 ft) | 120-000081-03 | 910503700748 |
| Mounting Arm, Short, Gray | 120-000201-03 | 912400135843 |
| Mounting Arm, Medium, Gray | 120-000201-04 | 912400135844 |
| Mounting Arm, Long, Gray | 120-000201-05 | 912400135845 |
| Symmetric Louver, 1219 mm (48 in) | 120-000202-07 | 912400135856 |
| Masking Shield, 1219 mm (48 in) | 120-000203-03 | 912400135860 |
| Power/Data Supplies | | |
| Data Enabler Pro, 3/4 in / 1/2 in NPT (U.S. trade size conduit) | 106-000004-00 | 910503701210 |
| Data Enabler Pro, PG21/PG13 (metric size conduit) | 106-000004-01 | 910503701211 |



© 2021 Signify Holding. All rights reserved. Specifications are subject to change without notice. No representation or warranty as to the accuracy or completeness of the information included herein is given and any liability for any action in reliance thereon is disclaimed.

Color Kinetics
www.colorkinetics.com/global/products/intelliwhite/iwgrazedlxpowercore/