

# iW Graze MX Powercore

Date: \_\_\_\_\_

Type: \_\_\_\_\_

Firm Name: \_\_\_\_\_

Project: \_\_\_\_\_

15° x 30° Beam Angle, 1219 mm (4 ft)

## Premium exterior linear grazing luminaire with tunable white light

iW Graze MX Powercore features the most light output in our line of high-performance, exterior linear luminaire designed to highlight architectural features ranging from surface textures and molding details to archways and windows. Graze Intelligent White luminaires offer channels of cool, neutral, and warm white LEDs to offer color temperatures ranging from 2700 K to 6500 K. Multiple fixture lengths, beam angles, output levels, and power consumption levels support a large range of façade or surface illumination applications. Low-profile housing, connectorized cabling, a universal power input range, and direct line voltage operation make Graze luminaires easy to install and operate.



- Tailor light output to specific applications—Available in four standard lengths (1 ft, 2 ft, 3 ft, and 4 ft), four performance levels (MX, QLX, QLX 5W, and EC), and six standard 9° x 9°, 10° x 60°, 15° x 30°, 30° x 60°, 60° x 30°, and 90° x 90° (EC only) beam angles.
- Flexible integration—Graze's ultra-low profile lets it fit discretely into almost any layout, from simple to elaborate.
- Customizable accessories - Customize your Graze luminaire with a choice of three accessories: mounting arm, masking shield, and graze louver. Mounting arm available in three sizes and three colors (black, white, and gray), and masking shield available in four lengths (1 ft, 2 ft, 3 ft, and 4 ft).
- Integrates patented Powercore technology that controls power output to luminaires directly from line voltage – rapidly, efficiently, and accurately. The Color Kinetics Data Enabler Pro merges line voltage with control data and delivers them to luminaires over a single standard cable, dramatically simplifying installation and lowering total system cost.
- Graze provides years of reliable use under rugged conditions by meeting ANSI C136.31- 2010 standard with a 3G vibration rating, and elimination of water pooling on the lens.
- Works seamlessly with the Color Kinetics full range of controllers, including Light System Manager, Video System Manager, Video System Manager Pro, iPlayer 3, Antumbra iColor Keypad, and ColorDial Pro—as well as third-party controllers.
- Convenient push-and-click connectors let you easily and rapidly install Leader Cables and Jumper Cables. Constant torque locking hinges offer simple and consistent position control from various angles.

For detailed product information, please refer to the Graze Product Guide at [www.colorkinetics.com/global/products/intelliwhite/iwgrazemxpowercore/](http://www.colorkinetics.com/global/products/intelliwhite/iwgrazemxpowercore/)

# Specifications

Due to continuous improvements and innovations, specifications may change without notice.

## Output

Color Temperature *	2700 K to 6500 K
Beam Angle	15° x 30°
Lumens †	3,384
Efficacy (lm/W) §§	33.3
CRI	82
LED Channels	2700 K/4000 K/6500 K

## Electrical

Input Voltage	100 to 277 VAC, auto-ranging, 50/60 Hz
Power Consumption (Maximum at full output, steady state)	80 W

Surge Limits ¶	1 kV maximum differential (L to N) 2 kV maximum common (L to Gnd or N to Gnd)
----------------	--

For additional Surge Protection Requirements for LED Lighting Systems, please refer to [www.colorkinetics.com/KB/surge-protection](http://www.colorkinetics.com/KB/surge-protection).

## Control

Interface	Data Enabler Pro (DMX or Ethernet)
-----------	------------------------------------

### Control System

Color Kinetics full range of controllers, including Light System Manager, Video System Manager Pro, iPlayer 3, Antumbra iColor Keypad, and ColorDial Pro, or third-party controllers

Remote Monitoring & Management Works with Interact Landmark

## Lumen Maintenance

Thresholds	Ambient Temperature	Reported ¶¶	Calculated ¶¶¶
	L <sub>70</sub>	25 °C 50 °C	60,000 60,000
L <sub>50</sub>	25 °C 50 °C	60,000 60,000	

## Physical

Dimensions (Height x Width x Depth)	68 x 1219 x 72 mm (2.7 x 48 x 2.85 in)
Weight	4.2 kg (9.3 lb)
Housing Material	Extruded anodized aluminium
Lens	Clear UV-protected polycarbonate
Luminaire Connections	Integral male/female waterproof connectors
Mounting	Multi-positional, constant torque locking hinges

### Temperature Ranges

-40 to 50 °C (-40 to 122 °F) Operating
-20 to 50 °C (-4 to 122 °F) Startup
-40 to 80 °C (-40 to 176 °F) Storage

### Vibration Resistance

Not compliant to ANSI C136.31, 3G. Special orders are available to conform to the standard. Please contact your Color Kinetics Lighting Sales rep for custom configurations.

Mechanical Impact	IK10
-------------------	------

### Corrosion Resistance

Not suitable for salt spray or harsh chemical environments. Please refer to [www.colorkinetics.com/KB/corrosion-resistance](http://www.colorkinetics.com/KB/corrosion-resistance) for more information.

Humidity	0 to 95%, non-condensing
----------	--------------------------

### Thermal Protection enabled

For additional Thermal Protection information, please refer to <https://colorkinetics.helpdocs.io/article/sh301ducix>

### Luminaire Run Lengths

To calculate luminaire run lengths and total power consumption for your specific installation, download the Configuration Calculator from [www.colorkinetics.com/support/install\\_tool/](http://www.colorkinetics.com/support/install_tool/)

## Certification and Safety

Approbation	UL/cUL, FCC Class A, PSE, C-Tick
Environment	Dry/Damp/Wet Location, IP66



\* Correlated color temperature (CCT) complies with ANSI C78.377-2008 for the chromaticity of solid state lighting products.

† 305 mm (1 ft) lumen output measurements comply with IES LM-79-08 testing procedures. 610 mm (2 ft), 914 mm (3 ft), and 1219 mm (4 ft) measurements are estimated based on the 305 mm (1 ft) measurements.

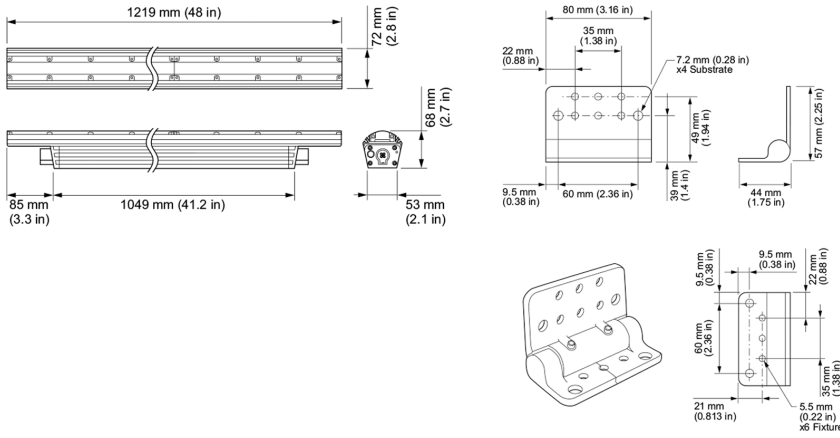
§ L<sub>xx</sub> = xx% lumen maintenance (when light output drops below xx% of initial output). All values are given at B10, or the median value where 90% of the LED population is better than the reported or calculated lumen maintenance measurement.

¶ Minimum surge limits per IEC 61547, tested in accordance with IEC 61000-4-5.

§§ Efficacy measurements are estimated based on the 305 mm (1 ft) measurements.

¶¶ Lumen maintenance figures are based on lifetime prediction graphs supplied by LED source manufacturers. Whenever possible, figures use measurements that comply with IES LM-80-08 testing procedures. In accordance with TM-21-11, Reported values represent the interpolated value based on six times the LM-80-08 total test duration (in hours). Calculated values represent time durations that exceed six times the total test duration.

# Dimensions



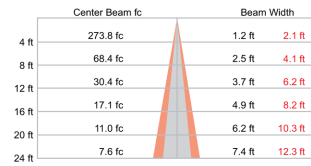
# Photometrics 305 mm (1 ft), 15° x 30° beam angle

Photometric data is based on test results from an independent NIST traceable testing lab. IES data is available at [www.colorkinetics.com/global/support/ies](http://www.colorkinetics.com/global/support/ies).

Beam Angle	15° x 30°
Lumens	846.0
Efficacy (lm/W)	33.3



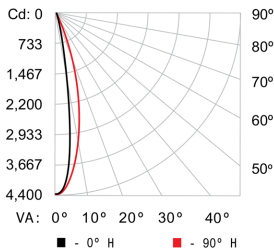
## Illuminance at Distance



## Zonal Lumen

ZONE	LUMENS	%FIXT
0- 30	781	92.3
0- 40	812	96.1
0- 60	835	98.7
0- 90	846	100.0
90-120	0	0.0
90-130	0	0.0
90-150	0	0.0
90-180	0	0.0
0-180	846	100.0

## Polar Candela Distribution



0.0	0.0	22.5	45.0	67.5	90.0
0	4380	4380	4380	4380	4380
5	3475	3549	3750	3951	4046
15	693	785	1116	1689	2054
25	97	114	180	351	518
35	26	28	38	62	86
45	13	13	16	21	25
55	9	8	9	11	13
65	6	6	5	7	7
75	3	3	3	3	4
85	2	1	1	1	1
90	1	1	1	1	0

## Coefficients of Utilization – Zonal Cavity Method

Effective Floor Cavity Reflectance: 20%

RC	80	70	50	30	10	0												
RW	70	50	30	10	50	30	10	50	30	10	0							
0	119	119	119	119	119	119	111	111	111	111	106	106	106	102	102	102	100	
1	115	113	111	109	112	110	109	107	106	105	104	103	102	101	99	99	98	96
2	111	107	104	101	109	105	103	100	102	100	98	99	98	96	97	95	94	92
3	107	102	99	96	105	101	98	95	98	96	93	96	94	92	94	92	91	89
4	104	98	94	91	102	97	93	90	95	92	89	93	91	88	92	89	87	86
5	101	94	90	87	99	94	90	87	92	89	86	90	88	85	89	87	85	83
6	98	91	87	84	96	90	86	84	89	86	83	88	85	83	87	84	82	81
7	95	88	84	81	94	88	84	81	87	83	80	85	82	80	85	82	80	79
8	92	86	81	78	91	85	81	78	84	81	78	83	80	78	82	80	77	76
9	90	83	79	76	89	83	79	76	82	78	76	81	78	76	80	77	75	74
10	88	81	77	74	87	80	77	74	80	76	74	79	76	74	78	76	73	73

For lux multiply fc by 10.7

# Luminaire and Accessories

Use Item Number when ordering in North America

Luminaire	Item Number	Item 12NC
iW Graze MX Powercore, 15° x 30° Beam Angle, 1219 mm (4 ft)	523-000079-17	910503703661
<b>Accessories</b>		
4 Conductor Leader Cable, 100 to 277 VAC, 3 m (10 ft), UL	108-000055-03	910503704066
4 Conductor Leader Cable, 100 to 277 VAC, 15.2 m (50 ft), UL	108-000055-00	910503703137
4 Conductor Leader Cable, 100 to 277 VAC, 3 m (10 ft), CE/PSE	108-000055-04	910503704067
4 Conductor Leader Cable, 100 to 277 VAC, 15.2 m (50 ft), CE/PSE	108-000055-01	910503704064
4 Conductor Leader Cable, 100 to 277 VAC, 3 m (10 ft), BIS	108-000055-13	912400137373
4 Conductor Leader Cable, 1.52 m (5 ft), UL, for Inground Enclosure	108-000055-09	912400134321
4 Conductor Leader Cable, 1.52 m (5 ft), CE, for Inground Enclosure	108-000055-10	912400134322
Jumper Cable for use with Graze, UL/cUL, End-to-End	108-000057-00	910503703139
Jumper Cable for use with Graze, UL/cUL, 305 mm (1 ft)	108-000057-03	910503704076
Jumper Cable for use with Graze, UL/cUL, 1.5 m (5 ft)	108-000057-06	910503704079
Jumper Cable for use with Graze, CE/PSE, End-to-End	108-000057-01	910503704074
Jumper Cable for use with Graze, CE/PSE, 305 mm (1 ft)	108-000057-04	910503704077
Jumper Cable for use with Graze, CE/PSE, 1.5 m (5 ft)	108-000057-07	910503704080
Jumper Cable for use with Graze, BIS, End-to-End	108-000057-18	912400137377
Jumper Cable for use with Graze, BIS, 1.5 m (5 ft)	108-000057-19	912400137378
Architectural Mounting Arm, Short, Gray	120-000206-00	912400136642
Architectural Mounting Arm, Medium, Gray	120-000206-01	912400136643
Architectural Mounting Arm, Long, Gray	120-000206-02	912400136644
Symmetric Louver, 1219 mm (4 ft)	120-000202-03	912400135852
Masking Shield, 1219 mm (4 ft)	120-000203-03	912400135860
Graze Glare Shield, 1220 mm (4 ft)	120-000081-03	910503700748
Inground Enclosure, Outer Box for 1219 mm (4 ft) luminaire	120-000190-07	912400133691
Inground Enclosure, Inner Box for 1219 mm (4 ft) luminaire	120-000190-06	912400133690
<b>Power Supplies</b>		
Data Enabler Pro, 3/4 in / 1/2 in NPT (U.S. trade size conduit)	106-000004-00	910503701210
Data Enabler Pro, PG21/PG13 (metric size conduit)	106-000004-01	910503701211

