

eW Graze MX Powercore

Date: _____
Type: _____
Firm Name: _____
Project: _____

2700 K, 30° x 60° Beam Angle, 610 mm (2 ft)

Premium exterior linear grazing luminaire with single temperature white light

eW Graze MX Powercore is a high-performance, exterior linear luminaire that features the most light output in our line of solid white light grazing luminaires. It is designed to highlight architectural features ranging from surface textures and molding details to archways and windows. Graze Essential White luminaires offer a single channel of white light. Available in 2700 K, 3000 K, and 4000 K. Multiple luminaire lengths, beam angles, output levels, and power consumption levels support a large range of façade or surface illumination applications. Low-profile housing, connectorized cabling, a universal power input range, and direct line voltage operation make Graze luminaires easy to install and operate.



- Tailor light output to specific applications—Available in four standard lengths (1 ft, 2 ft, 3 ft, and 4 ft), four performance levels (MX, QLX, QLX 5W, and EC), and six standard 9° x 9°, 10° x 60°, 15° x 30°, 30° x 60°, 60° x 30°, and 90° x 90° (EC only) beam angles.
- Flexible integration—Graze's ultra-low profile lets it fit discretely into almost any layout, from simple to elaborate.
- Customizable accessories - Customize your Graze luminaire with a choice of three accessories: mounting arm, masking shield, and graze louver. Mounting arm available in three sizes and three colors (black, white, and gray), and masking shield available in four lengths (1 ft, 2 ft, 3 ft, and 4 ft).
- Integrates patented Powercore technology that controls power output to luminaires directly from line voltage - rapidly, efficiently, and accurately.
- Graze provides years of reliable use under rugged conditions by meeting ANSI C136.31- 2010 standard with a 3G vibration rating, and elimination of water pooling on the lens.
- Smooth dimming capability—Patented DIMand technology offers smooth dimming capability with the DM-1000 0-10 V ELV Dimmer or selected reverse-phase ELV-type dimmers.
- Convenient push-and-click connectors let you easily and rapidly install Leader Cables and Jumper Cables. Constant torque locking hinges offer simple and consistent position control from various angles.

For detailed product information, please refer to the Graze Product Guide at www.colorkinetics.com/global/products/essentialwhite/ewgrazemxpowercore/

Specifications

Due to continuous improvements and innovations, specifications may change without notice.

Output

| | |
|--------------------|-----------|
| Color Temperature | 2700 K |
| Beam Angle | 30° x 60° |
| Lumens † | 1777 |
| Efficacy (lm/W) §§ | 61.2 |
| CRI | 82.7 |

Electrical

| | |
|---|--|
| Input Voltage | 100 to 277 VAC, auto-ranging, 50/60 Hz |
| Power Consumption (Maximum at full output, steady state) | 30 W |
| Surge Limits ¶ | 1 kV maximum differential (L to N) 2 kV maximum common (L to Gnd or N to Gnd) |

For additional Surge Protection Requirements for LED Lighting Systems, please refer to www.colorkinetics.com/KB/surge-protection.

Control

Dimmer ‡

Compatible with selected commercially available reverse-phase ELV-type dimmers

Lumen Maintenance

| Threshold§ | Ambient Temperature | Reported ¶¶ | Calculated ¶¶ |
|------------|---------------------|-------------|---------------|
| L 70 | 25 °C | 60,000 | |
| | 50 °C | 60,000 | |
| L 50 | 25 °C | 60,000 | |
| | 50 °C | 60,000 | |

† 305 mm (1 ft) lumen output measurements comply with IES LM-79-08 testing procedures. 610 mm (2 ft), 914 mm (3 ft), and 1219 mm (4 ft) measurements are estimated based on the 305 mm (1 ft) measurements.

‡ Refer to www.colorkinetics.com/support/appnotes/ for more information.

§ Lxx = xx% lumen maintenance (when light output drops below xx% of initial output). All values are given at B10, or the median value where 90% of the LED population is better than the reported or calculated lumen maintenance measurement.

¶ Minimum surge limits per IEC 61547, tested in accordance with IEC 61000-4-5.

§§ Efficacy measurements are estimated based on the 305 mm (1 ft) measurements.

¶¶ Lumen maintenance figures are based on lifetime prediction graphs supplied by LED source manufacturers. Whenever possible, figures use measurements that comply with IES LM-80-08 testing procedures. In accordance with TM-21-11, Reported values represent the interpolated value based on six times the LM-80-08 total test duration (in hours). Calculated values represent time durations that exceed six times the total test duration.

Physical

| | |
|--|--|
| Dimensions (Height x Width x Depth) | 68 x 610 x 72 mm (2.7 x 24 x 2.85 in) |
| Weight | 2.1 kg (4.6 lb) |
| Housing Material | Extruded anodized aluminium |
| Lens | Clear UV-protected polycarbonate |
| Luminaire Connections | Integral male/female waterproof connectors |
| Mounting | Multi-positional, constant torque locking hinges |

Temperature Ranges

-40 to 50 °C (-40 to 122 °F) Operating
-20 to 50 °C (-4 to 122 °F) Startup
-40 to 80 °C (-40 to 176 °F) Storage

Vibration Resistance

Complies with ANSI C136.31, 3G

Mechanical Impact

IK10

Corrosion Resistance

Not suitable for salt spray or harsh chemical environments. Please refer to www.colorkinetics.com/KB/corrosion-resistance for more information.

Humidity

0 to 95%, non-condensing

Thermal Protection enabled

For additional Thermal Protection information, please refer to <https://colorkinetics.helpdocs.io/article/sh301ducix>

Luminaire Run Lengths

To calculate luminaire run lengths and total power consumption for your specific installation, download the Configuration Calculator from www.colorkinetics.com/support/install_tool/

Certification and Safety

Approbation

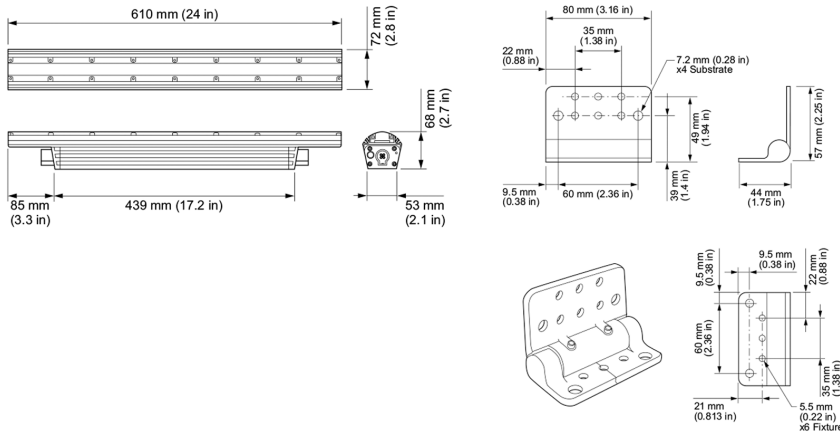
UL/cUL, FCC Class A, PSE, C-Tick

Environment

Dry/Damp/Wet Location, IP66



Dimensions



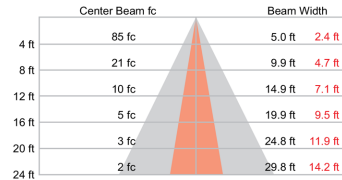
Photometrics 305 mm (1 ft), 30° x 60° beam angle

Photometric data is based on test results from an independent NIST traceable testing lab. IES data is available at www.colorkinetics.com/global/support/ies.

| | |
|-----------------|-----------|
| Beam Angle | 30° x 60° |
| LED | 2700 K |
| Lumens | 888.0 |
| Efficacy (lm/W) | 61.2 |



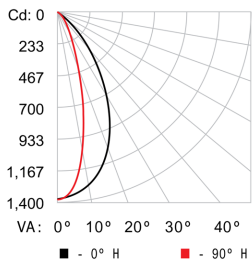
Illuminance at Distance



Zonal Lumen

| Zone | Lumens | % Luminaire |
|--------|--------|-------------|
| 0-30 | 648.7 | 72.50% |
| 0-40 | 792.9 | 88.60% |
| 0-60 | 876.1 | 97.90% |
| 60-90 | 17.7 | 2.00% |
| 70-100 | 6.9 | 0.80% |
| 90-120 | 0.9 | 0.10% |
| 0-90 | 893.8 | 99.90% |
| 90-180 | 1.2 | 0.10% |
| 0-180 | 895 | 100% |

Polar Candela Distribution



| Cd: 0 | 0 | 25 | 45 | 70 | 90 |
|-------|------|------|------|------|------|
| 0 | 1366 | 1366 | 1366 | 1366 | 1366 |
| 5 | 1329 | 1307 | 1292 | 1275 | 1277 |
| 15 | 1195 | 1059 | 900 | 754 | 727 |
| 25 | 914 | 653 | 410 | 254 | 227 |
| 35 | 519 | 273 | 120 | 62 | 60 |
| 45 | 201 | 78 | 34 | 25 | 28 |
| 55 | 52 | 24 | 16 | 16 | 19 |
| 65 | 15 | 11 | 9 | 10 | 11 |
| 75 | 5 | 4 | 4 | 4 | 5 |
| 85 | 1 | 1 | 1 | 2 | 4 |
| 90 | 0 | 0 | 1 | 1 | 2 |

36 ft (11 m) ■ Vert. Spread: 63.6°
1 fc maximum distance ■ Horiz. Spread: 33.1°

For lux multiply fc by 10.7

Coefficients of Utilization - Zonal Cavity Method

Effective Floor Cavity Reflectance: 20%

| RCC %: | 80 | 70 | 50 | 30 | 10 | 0 | | |
|--------|------|------|------|------|------|------|------|------|
| RW %: | 70 | 50 | 30 | 20 | 50 | 30 | 20 | 0 |
| 0 | 1.19 | 1.19 | 1.19 | 1.19 | 1.19 | 1.19 | 1.19 | 1.19 |
| 1 | 1.13 | 1.11 | 1.08 | 1.06 | 1.11 | 1.08 | 1.06 | 1.04 |
| 2 | 1.08 | 1.03 | 0.99 | 0.95 | 1.05 | 1.01 | 0.97 | 0.87 |
| 3 | 1.02 | 0.96 | 0.91 | 0.87 | 1.00 | 0.94 | 0.90 | 0.82 |
| 4 | 0.97 | 0.90 | 0.84 | 0.80 | 0.95 | 0.89 | 0.83 | 0.76 |
| 5 | 0.93 | 0.84 | 0.78 | 0.74 | 0.91 | 0.83 | 0.78 | 0.72 |
| 6 | 0.88 | 0.79 | 0.73 | 0.69 | 0.87 | 0.78 | 0.73 | 0.67 |
| 7 | 0.84 | 0.75 | 0.69 | 0.65 | 0.83 | 0.74 | 0.69 | 0.63 |
| 8 | 0.80 | 0.71 | 0.65 | 0.61 | 0.79 | 0.70 | 0.65 | 0.60 |
| 9 | 0.77 | 0.67 | 0.61 | 0.57 | 0.75 | 0.67 | 0.61 | 0.57 |
| 10 | 0.73 | 0.64 | 0.58 | 0.54 | 0.72 | 0.63 | 0.58 | 0.54 |

Luminaire and Accessories

Use Item Number when ordering in North America

| Luminaire | Item Number | Item 12NC |
|---|---------------|--------------|
| eW Graze MX Powercore, 2700 K, 30° x 60° Beam Angle, 610 mm (2 ft) | 523-000080-24 | 910503703712 |
| Accessories | | |
| 4 Conductor Leader Cable, 100 to 277 VAC, 3 m (10 ft), UL | 108-000055-03 | 910503704066 |
| 4 Conductor Leader Cable, 100 to 277 VAC, 15.2 m (50 ft), UL | 108-000055-00 | 910503703137 |
| 4 Conductor Leader Cable, 100 to 277 VAC, 3 m (10 ft), CE/PSE | 108-000055-04 | 910503704067 |
| 4 Conductor Leader Cable, 100 to 277 VAC, 15.2 m (50 ft), CE/PSE | 108-000055-01 | 910503704064 |
| 4 Conductor Leader Cable, 100 to 277 VAC, 3 m (10 ft), BIS | 108-000055-13 | 912400137373 |
| 4 Conductor Leader Cable, 1.52 m (5 ft), UL, for Inground Enclosure | 108-000055-09 | 912400134321 |
| 4 Conductor Leader Cable, 1.52 m (5 ft), CE, for Inground Enclosure | 108-000055-10 | 912400134322 |
| Jumper Cable for use with Graze, UL/cUL, End-to-End | 108-000057-00 | 910503703139 |
| Jumper Cable for use with Graze, UL/cUL, 305 mm (1 ft) | 108-000057-03 | 910503704076 |
| Jumper Cable for use with Graze, UL/cUL, 1.5 m (5 ft) | 108-000057-06 | 910503704079 |
| Jumper Cable for use with Graze, UL/cUL, 3 m (10 ft) | 108-000057-09 | 910503704082 |
| Jumper Cable for use with Graze, CE/PSE, End-to-End | 108-000057-01 | 910503704074 |
| Jumper Cable for use with Graze, CE/PSE, 305 mm (1 ft) | 108-000057-04 | 910503704077 |
| Jumper Cable for use with Graze, CE/PSE, 1.5 m (5 ft) | 108-000057-07 | 910503704080 |
| Jumper Cable for use with Graze, CE/PSE, 3 m (10 ft) | 108-000057-10 | 910503704083 |
| Jumper Cable for use with Graze, BIS, End-to-End | 108-000057-18 | 912400137377 |
| Jumper Cable for use with Graze, BIS, 1.5 m (5 ft) | 108-000057-19 | 912400137378 |
| Architectural Mounting Arm, Short, Gray | 120-000206-00 | 912400136642 |
| Architectural Mounting Arm, Medium, Gray | 120-000206-01 | 912400136643 |
| Architectural Mounting Arm, Long, Gray | 120-000206-02 | 912400136644 |
| Symmetric Louver, 610 mm (2 ft) | 120-000202-01 | 912400135850 |
| Masking Shield, 610 mm (2 ft) | 120-000203-01 | 912400135858 |
| Graze Glare Shield, 610 mm (2 ft) | 120-000081-01 | 910503700746 |
| Inground Enclosure, Outer Box for 610 mm (2 ft) luminaire | 120-000190-03 | 912400133687 |
| Inground Enclosure, Inner Box for 610 mm (2 ft) luminaire | 120-000190-02 | 912400133686 |
| Power Supplies | | |
| Data Enabler Pro, 3/4 in / 1/2 in NPT (U.S. trade size conduit) | 106-000004-00 | 910503701210 |
| Data Enabler Pro, PG21/PG13 (metric size conduit) | 106-000004-01 | 910503701211 |

