

eColor Graze EC Powercore

Date: _____
Type: _____
Firm Name: _____
Project: _____

**Amber, 90° x 90° Beam Angle, 914
mm (3 ft)**

Cost-effective exterior linear grazing luminaire with solid color light

eColor Graze EC Powercore is a cost-effective high-performance, exterior linear luminaire designed to highlight architectural features ranging from surface textures and molding details to archways and windows. Graze Essential Color luminaires offer intensely saturated solid red, green, blue, or amber light. Multiple fixture lengths, beam angles, output levels, and power consumption levels support a large range of façade or surface illumination applications. Low-profile housing, connectorized cabling, a universal power input range, and direct line voltage operation make Graze luminaires easy to install and operate.



- Tailor light output to specific applications—Available in four standard lengths (1 ft, 2 ft, 3 ft, and 4 ft), four performance levels (MX, QLX, QLX 5W, and EC), and six standard 9° x 9°, 10° x 60°, 15° x 30°, 30° x 60°, 60° x 30°, and 90° x 90° (EC only) beam angles.
- Flexible integration—Graze's ultra-low profile lets it fit discretely into almost any layout, from simple to elaborate.
- Customizable accessories - Customize your Graze luminaire with a choice of three accessories: mounting arm, masking shield, and graze louver. Mounting arm available in three sizes and three colors (black, white, and gray), and masking shield available in four lengths (1 ft, 2 ft, 3 ft, and 4 ft).
- Integrates patented Powercore technology that controls power output to luminaires directly from line voltage – rapidly, efficiently, and accurately. The Color Kinetics Data Enabler Pro merges line voltage with control data and delivers them to luminaires over a single standard cable, dramatically simplifying installation and lowering total system cost.
- Graze provides years of reliable use under rugged conditions by meeting ANSI C136.31- 2010 standard with a 3G vibration rating, and elimination of water pooling on the lens.
- Works seamlessly with the Color Kinetics full range of controllers, including Light System Manager, Video System Manager, Video System Manager Pro, iPlayer 3, Antumbra iColor Keypad, and ColorDial Pro—as well as third-party controllers.
- Convenient push-and-click connectors let you easily and rapidly install Leader Cables and Jumper Cables. Constant torque locking hinges offer simple and consistent position control from various angles.

For detailed product information, please refer to the Graze Product Guide at www.colorkinetics.com/global/products/essentialcolor/ecolorgrazeecpowercore/

Specifications

Due to continuous improvements and innovations, specifications may change without notice.

Output

| | |
|------------|-----------|
| Beam Angle | 90° x 90° |
| Color | Amber |

Electrical

| | |
|---|--|
| Input Voltage | 100 to 277 VAC, auto-ranging, 50/60 Hz |
| Power Consumption (Maximum at full output, steady state) | 15 W |
| Surge Limits [¶] | 1 kV maximum differential (L to N) 2 kV maximum common (L to Gnd or N to Gnd) |

For additional Surge Protection Requirements for LED Lighting Systems, please refer to www.colorkinetics.com/KB/surge-protection.

Control

Dimmer

Compatible with selected commercially available reverse-phase ELV-type dimmers

Physical

| | |
|--|--|
| Dimensions (Height x Width x Depth) | 68 x 915 x 72 mm (2.7 x 36 x 2.85 in) |
| Weight | 3.2 kg (7.1 lb) |
| Housing Material | Extruded anodized aluminium |
| Lens | Frosted UV-protected polycarbonate |
| Luminaire Connections | Integral male/female waterproof connectors |
| Mounting | Multi-positional, constant torque locking hinges |

Temperature Ranges

| |
|--|
| -40 to 50 °C (-40 to 122 °F) Operating |
| -20 to 50 °C (-4 to 122 °F) Startup |
| -40 to 80 °C (-40 to 176 °F) Storage |

Vibration Resistance

Not compliant to ANSI C136.31, 3G. Special orders are available to conform to the standard. Please contact your Color Kinetics Lighting Sales rep for custom configurations.

| | |
|-------------------|------|
| Mechanical Impact | IK08 |
|-------------------|------|

Corrosion Resistance

Not suitable for salt spray or harsh chemical environments. Please refer to www.colorkinetics.com/KB/corrosion-resistance for more information.

| | |
|----------|--------------------------|
| Humidity | 0 to 95%, non-condensing |
|----------|--------------------------|

Luminaire Run Lengths

To calculate luminaire run lengths and total power consumption for your specific installation, download the Configuration Calculator from www.colorkinetics.com/support/install_tool/

Certification and Safety

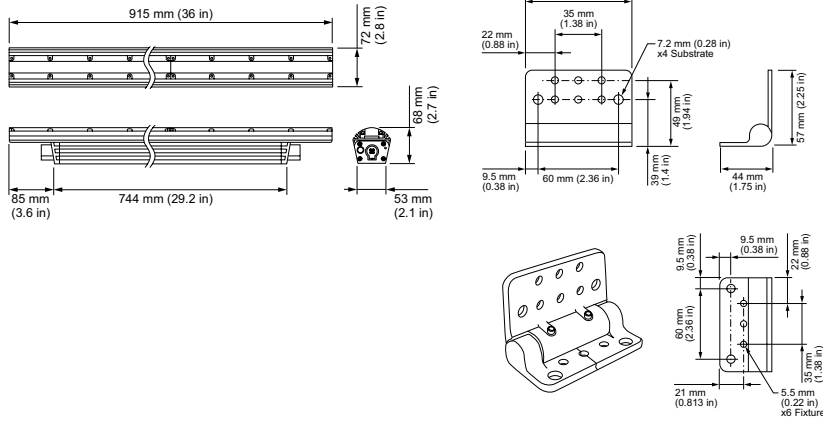
| | |
|-------------|--------------------------------------|
| Approbation | UL/cUL, FCC Class A, CE, PSE, C-Tick |
| Environment | Dry/Damp/Wet Location, IP66 |



‡ Refer to www.colorkinetics.com/support/appnotes/ for more information.

¶ Minimum surge limits per IEC 61547, tested in accordance with IEC 61000-4-5.

Dimensions



For help estimating the light output and distribution of eColor lighting luminaires, please contact Color Kinetics Applications Engineering Services at <http://www.lighting.philips.com/support/connect/contact-us>.

Luminaire and Accessories

Use Item Number when ordering in North America

| Luminaire | Item Number | Item 12NC |
|---|---------------|--------------|
| eColor Graze EC Powercore, Amber, 90° x 90° Beam Angle, 914 mm (3 ft) | 223-000082-11 | 910503703560 |
| Accessories | | |
| Inground Enclosure, Outer Box for 914 mm (3 ft) luminaire | 120-000190-05 | 912400133689 |
| Inground Enclosure, Inner Box for 914 mm (3 ft) luminaire | 120-000190-04 | 912400133688 |
| Leader Cable with Terminator, UL/cUL, 3 m (10 ft) | 108-000056-03 | 910503704071 |
| Leader Cable with Terminator, UL/cUL, 15.2 m (50 ft) | 108-000056-00 | 910503703138 |
| Leader Cable with Terminator, CE/PSE, 3 m (10 ft) | 108-000056-04 | 910503704072 |
| Leader Cable with Terminator, CE/PSE, 15.2 m (50 ft) | 108-000056-01 | 910503704069 |
| Jumper Cable, UL/cUL, End-to-End | 108-000057-00 | 910503703139 |
| Jumper Cable, UL/cUL, 305 mm (1 ft) | 108-000057-03 | 910503704076 |
| Jumper Cable, UL/cUL, 1.5 m (5 ft) | 108-000057-06 | 910503704079 |
| Jumper Cable, UL/cUL, 3 m (10 ft) | 108-000057-09 | 910503704082 |
| Jumper Cable, CE/PSE, End-to-End | 108-000057-01 | 910503704074 |
| Jumper Cable, CE/PSE, 305 mm (1 ft) | 108-000057-04 | 910503704077 |
| Jumper Cable, CE/PSE, 1.5 m (5 ft) | 108-000057-07 | 910503704080 |
| Jumper Cable, CE/PSE, 3 m (10 ft) | 108-000057-10 | 910503704083 |
| Glare Shield, 914 mm (3 ft) | 120-000081-02 | 910503700747 |
| Mounting Arm, Short, Gray | 120-000201-03 | 912400135843 |
| Mounting Arm, Medium, Gray | 120-000201-04 | 912400135844 |
| Mounting Arm, Long, Gray | 120-000201-05 | 912400135845 |
| Symmetric Louver, 914 mm (36 in) | 120-000202-02 | 912400135851 |
| Masking Shield, 914 mm (36 in) | 120-000203-02 | 912400135859 |

