

eW Burst Compact Powercore

Date: _____

Type: _____

Firm Name: _____

Project: _____

2700 K, 8° (No Spread Lens), White Housing, UL/cUL, Architectural

Exterior compact architectural and landscape spotlight with single temperature white light

eW Burst Compact Powercore is a high-output, exterior LED spotlight designed for accent and site lighting. Architectural and landscape versions deliver high-quality white light in a warm 2700 K and a neutral 4000 K to support a range of uplighting, floodlighting, and decorative lighting applications.



- Integrates patented Powercore technology—Powercore rapidly, efficiently, and accurately controls power output to luminaires directly from line voltage, eliminating the need for an external power supply. Contractor-friendly installation dramatically simplifies installation and lowers total system cost.
- Support for a wide range of architectural and landscape applications—Architectural luminaires feature an integrated yoke with canopy base for mounting to standard US junction boxes or directly to a flat surface or substrate as local codes permit. Landscape luminaires feature a 1/2 in NPT threaded post for mounting to standard junction boxes and third-party mounting accessories such as stanchion mounts, posts, and stakes for use in softscape and hardscape applications.
- Exchangeable optics and accessories—Available 14°, 23°, 41°, and asymmetric 10° x 41° spread lenses project a soft-edge beam to support a wide range of lighting applications. Native 8° beam angle offers extended light projection. Available glare shields block spill light, while honeycomb louvers limit the spread of light for a more focused and intense beam.
- Versatile light positioning—Luminaires can tilt through a full 180°. Architectural luminaires can also rotate through a full 360° for precise aiming. Locking screws accept standard hex wrenches to secure luminaires firmly in position.
- Universal power input range—Accepts a universal power input range of 100 to 277 VAC, allowing the installation of multiple units in a continuous run.
- Outdoor rated—With a rugged, die-cast aluminium housing fully sealed for maximum luminaire life and IP66-rated for outdoor applications, eW Burst Compact Powercore is ideal for use in damp or wet locations.

For detailed product information, please refer to the Burst Product Guide at www.colorkinetics.com/global/products/essentialwhite/ewburstcompactpc/

Specifications

Due to continuous improvements and innovations, specifications may change without notice.

Output

Color Temperature *	2700 K
Beam Angle	8°
Lumens †	624
Efficacy (lm/W)	41.9
CRI	83

Electrical

Input Voltage	100 to 277 VAC, auto-ranging, 50/60 Hz
Power Consumption (Maximum at full output, steady state)	15 W
Power Factor	0.99 @ 120 VAC
Surge Limits ¶	1 kV maximum differential (L to N) 2 kV maximum common (L to Gnd or N to Gnd)

For additional Surge Protection Requirements for LED Lighting Systems, please refer to www.colorkinetics.com/KB/surge-protection.

Control

Dimmer ‡

Compatible with selected commercially available reverse-phase ELV-type dimmers

Lumen Maintenance

Threshold§	Ambient Temperature	Reported ¶¶	Calculated ¶¶
L ₇₀	25 °C	90,000	
	50 °C	50,000	
L ₅₀	25 °C	> 100,000	
	50 °C	90,000	

* Correlated color temperature (CCT) complies with ANSI C78.377-2008 for the chromaticity of solid state lighting products.

† Lumen output measurements comply with IES LM-79-08 testing procedures.

‡ Refer to www.colorkinetics.com/support/appnotes/ for more information.

§ L_{xx} = xx% lumen maintenance (when light output drops below xx% of initial output). All values are given at B10, or the median value where 90% of the LED population is better than the reported or calculated lumen maintenance measurement.

¶ Minimum surge limits per IEC 61547, tested in accordance with IEC 61000-4-5.

¶¶ Lumen maintenance figures are based on lifetime prediction graphs supplied by LED source manufacturers. Whenever possible, figures use measurements that comply with IES LM-80-08 testing procedures. In accordance with TM-21-11, Reported values represent the interpolated value based on six times the LM-80-08 total test duration (in hours). Calculated values represent time durations that exceed six times the total test duration.

Physical

Dimensions (Height x Width x Depth)	250 x 114 x 178 mm (9.85 x 4.5 x 7.0 in)
Weight	3.9 kg (8.7 lb)
Housing Material	Die-cast aluminium, white powder-coated finish
Lens	Tempered glass
Luminaire Connections	1.8 m (6 ft) unified power/data cable with flying leads

Temperature Ranges

-40 to 50 °C (-40 to 122 °F) Operating
-20 to 50 °C (-4 to 122 °F) Startup
-40 to 80 °C (-40 to 176 °F) Storage

Vibration Resistance

Complies with ANSI C136.31, 3G	
Mechanical Impact	IK07

Corrosion Resistance

Not suitable for salt spray or harsh chemical environments. Please refer to www.colorkinetics.com/KB/corrosion-resistance for more information.

Humidity	0 to 95%, non-condensing
----------	--------------------------

Thermal Protection enabled

For additional Thermal Protection information, please refer to <https://colorkinetics.helpdocs.io/article/sh301ducix>

Luminaire Run Lengths

To calculate luminaire run lengths and total power consumption for your specific installation, download the Configuration Calculator from www.colorkinetics.com/support/install_tool/

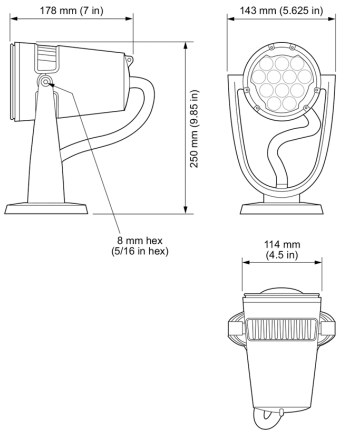
Certification and Safety

Approbation	UL/cUL, FCC Class A, CE, C-Tick, SAA
Environment	Dry/Damp/Wet Location, IP66

For additional Energy Efficiency Class Information, please refer to <https://colorkinetics.helpdocs.io/article/cvis2p8qq>.



Dimensions



Photometrics 2700 K, 8° native (no spread lens)

Photometric data is based on test results from an independent NIST traceable testing lab. IES data is available at www.colorkinetics.com/global/support/ies.

Beam Angle	8°
LED	2700 K
Lumens	624.0
Efficacy (lm/W)	41.9



Illuminance at Distance

	Center Beam fc	Beam Width
4.0 ft	1295 fc	0.6 ft
8.0 ft	324 fc	1.2 ft
12.0 ft	144 fc	1.8 ft
16.0 ft	81 fc	2.4 ft
20.0 ft	52 fc	3.0 ft
24.0 ft	36 fc	3.6 ft

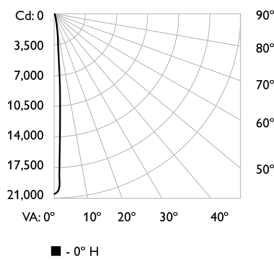
Zonal Lumen

Zonal Lumen Summary		
ZONE	LUMENS	%FXT
0 - 30	576	92.2
0 - 40	597	95.6
0 - 60	619	99.1
0 - 90	624	100.0
90-180	0	0.0
0-180	624	100.0

43.9 m (144 ft)
1 fc maximum distance
■ Beam Spread: 8.0°

For lux multiply fc by 10.7

Polar Candela Distribution



Candela Table

0	20727
5	6583
15	146
25	72
35	31
45	21
55	7
65	3
75	1
85	0
90	0

Coefficients of Utilization - Zonal Cavity Method

RC	80			70			50			Effective Floor Cavity Reflectance: 20%							
	70	50	30	10	70	50	30	10	50	30	10	0					
0	1191	1911	19119	1161	1611	16116	1111	11111	1061	06106	1021	02102	100				
1	1161	1411	12111	1131	1211	10109	1081	07106	1041	03103	1011	00100	98				
2	1131	1010	7105	1111	0810	6104	1051	03102	1021	01100	100	98	96				
3	1101	0610	3101	1081	0510	2100	1031	00	100	99	97	98	97	96	95		
4	1081	0310	0	1061	0210	0	101	98	96	99	97	95	97	96	94	93	
5	1061	01	98	1041	00	97	95	99	96	94	97	95	94	96	94	93	92
6	104	99	96	103	99	96	93	97	95	93	96	94	92	95	93	92	91
7	102	97	94	101	97	94	92	96	93	92	95	93	91	94	92	91	90
8	101	96	93	100	96	93	91	95	92	90	94	92	90	93	91	90	89
9	100	95	92	99	94	92	90	94	91	89	93	91	89	92	90	89	88
10	98	94	91	89	98	93	91	89	93	90	89	92	90	88	88	88	88

Luminaire and Accessories

Use Item Number when ordering in North America

Luminaire	Item Number	Item 12NC
eW Burst Compact Powercore, 2700 K, White Housing, UL/cUL, Architectural	523-000059-18	910503701934
Accessories		
14° Spread lens	120-000080-04	910503701415
23° Spread lens	120-000080-05	910503701416
41° Spread lens	120-000080-06	910503701417
10° x 41° Spread lens	120-000080-07	910503701418
Trim Ring, White	120-000103-15	910503701826
45° Glare Shield, White	120-000103-16	910503701827
Full Height Glare Shield, White	120-000103-17	910503701828
Honeycomb Louver, Black	120-000104-01	910503701419
DM-1000 0-10 V ELV Dimmer	109-000036-00	912400135916
Architectural Mounting Arm, Short, Gray	120-000206-00	912400136642
Architectural Mounting Arm, Medium, Gray	120-000206-01	912400136643
Architectural Mounting Arm, Long, Gray	120-000206-02	912400136644
Wiring Compartment, 4 in diameter, White, CE	106-000011-41	910503703276
Wiring Compartment, 4 in diameter, White, UL	106-000011-31	910503704148

