

# eW Burst Compact Powercore

Date: \_\_\_\_\_  
Type: \_\_\_\_\_  
Firm Name: \_\_\_\_\_  
Project: \_\_\_\_\_

**4000 K, 23° Spread Lens, White Housing, UL/cUL, Architectural**

## Exterior compact architectural and landscape spotlight with single temperature white light

eW Burst Compact Powercore is a high-output, exterior LED spotlight designed for accent and site lighting. Architectural and landscape versions deliver high-quality white light in a warm 2700 K and a neutral 4000 K to support a range of uplighting, floodlighting, and decorative lighting applications.



- Integrates patented Powercore technology—Powercore rapidly, efficiently, and accurately controls power output to luminaires directly from line voltage, eliminating the need for an external power supply. Contractor-friendly installation dramatically simplifies installation and lowers total system cost.
- Support for a wide range of architectural and landscape applications—Architectural luminaires feature an integrated yoke with canopy base for mounting to standard US junction boxes or directly to a flat surface or substrate as local codes permit. Landscape luminaires feature a 1/2 in NPT threaded post for mounting to standard junction boxes and third-party mounting accessories such as stanchion mounts, posts, and stakes for use in softscape and hardscape applications.
- Exchangeable optics and accessories—Available 14°, 23°, 41°, and asymmetric 10° x 41° spread lenses project a soft-edge beam to support a wide range of lighting applications. Native 8° beam angle offers extended light projection. Available glare shields block spill light, while honeycomb louvers limit the spread of light for a more focused and intense beam.
- Versatile light positioning—Luminaires can tilt through a full 180°. Architectural luminaires can also rotate through a full 360° for precise aiming. Locking screws accept standard hex wrenches to secure luminaires firmly in position.
- Universal power input range—Accepts a universal power input range of 100 to 277 VAC, allowing the installation of multiple units in a continuous run.
- Outdoor rated—With a rugged, die-cast aluminium housing fully sealed for maximum luminaire life and IP66-rated for outdoor applications, eW Burst Compact Powercore is ideal for use in damp or wet locations.

For detailed product information, please refer to the Burst Product Guide at [www.colorkinetics.com/global/products/essentialwhite/ewburstcompactpc/](http://www.colorkinetics.com/global/products/essentialwhite/ewburstcompactpc/)

# Specifications

Due to continuous improvements and innovations, specifications may change without notice.

## Output

Color Temperature *	4000 K
Beam Angle	23°
Lumens †	674
Efficacy (lm/W)	44.6
CRI	81

## Electrical

Input Voltage	100 to 277 VAC, auto-ranging, 50/60 Hz
Power Consumption (Maximum at full output, steady state)	15 W
Power Factor	0.99 @ 120 VAC
Surge Limits ¶	1 kV maximum differential (L to N) 2 kV maximum common (L to Gnd or N to Gnd)

For additional Surge Protection Requirements for LED Lighting Systems, please refer to [www.colorkinetics.com/KB/surge-protection](http://www.colorkinetics.com/KB/surge-protection).

## Control

### Dimmer ‡

Compatible with selected commercially available reverse-phase ELV-type dimmers

## Lumen Maintenance

Threshold§	Ambient Temperature	Reported ¶¶	Calculated ¶¶
L <sub>70</sub>	25 °C	90,000	
	50 °C	50,000	
L <sub>50</sub>	25 °C	> 100,000	
	50 °C	90,000	

\* Correlated color temperature (CCT) complies with ANSI C78.377-2008 for the chromaticity of solid state lighting products.

† Lumen output measurements comply with IES LM-79-08 testing procedures.

‡ Refer to [www.colorkinetics.com/support/appnotes/](http://www.colorkinetics.com/support/appnotes/) for more information.

§ L<sub>xx</sub> = xx% lumen maintenance (when light output drops below xx% of initial output). All values are given at B10, or the median value where 90% of the LED population is better than the reported or calculated lumen maintenance measurement.

¶ Minimum surge limits per IEC 61547, tested in accordance with IEC 61000-4-5.

¶¶ Lumen maintenance figures are based on lifetime prediction graphs supplied by LED source manufacturers. Whenever possible, figures use measurements that comply with IES LM-80-08 testing procedures. In accordance with TM-21-11, Reported values represent the interpolated value based on six times the LM-80-08 total test duration (in hours). Calculated values represent time durations that exceed six times the total test duration.

## Physical

Dimensions (Height x Width x Depth)	250 x 114 x 178 mm (9.85 x 4.5 x 7.0 in)
Weight	3.9 kg (8.7 lb)
Housing Material	Die-cast aluminium, white powder-coated finish
Lens	Tempered glass
Luminaire Connections	1.8 m (6 ft) unified power/data cable with flying leads

## Temperature Ranges

-40 to 50 °C (-40 to 122 °F) Operating
-20 to 50 °C (-4 to 122 °F) Startup
-40 to 80 °C (-40 to 176 °F) Storage

## Vibration Resistance

Complies with ANSI C136.31, 3G	
Mechanical Impact	IK07

## Corrosion Resistance

Not suitable for salt spray or harsh chemical environments. Please refer to [www.colorkinetics.com/KB/corrosion-resistance](http://www.colorkinetics.com/KB/corrosion-resistance) for more information.

Humidity	0 to 95%, non-condensing
----------	--------------------------

## Thermal Protection enabled

For additional Thermal Protection information, please refer to <https://colorkinetics.helpdocs.io/article/sh301ducix>

## Luminaire Run Lengths

To calculate luminaire run lengths and total power consumption for your specific installation, download the Configuration Calculator from [www.colorkinetics.com/support/install\\_tool/](http://www.colorkinetics.com/support/install_tool/)

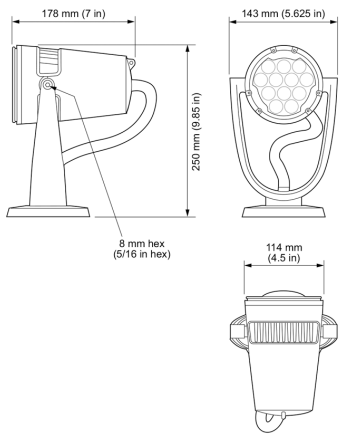
## Certification and Safety

Approbation	UL/cUL, FCC Class A, CE, C-Tick, SAA
Environment	Dry/Damp/Wet Location, IP66

For additional Energy Efficiency Class Information, please refer to <https://colorkinetics.helpdocs.io/article/cvis2p8qq>.



# Dimensions



# Photometrics 4000 K, 23° spread lens

Photometric data is based on test results from an independent NIST traceable testing lab. IES data is available at [www.colorkinetics.com/global/support/ies](http://www.colorkinetics.com/global/support/ies).

Beam Angle	23°
LED	4000 K
Lumens	674.0
Efficacy (lm/W)	44.6



## Illuminance at Distance

	Center Beam fc	Beam Width
4.0 ft	231 fc	1.5 ft 1.5 ft
8.0 ft	58 fc	3.0 ft 3.0 ft
12.0 ft	26 fc	4.5 ft 4.6 ft
16.0 ft	14 fc	6.0 ft 6.1 ft
20.0 ft	9 fc	7.5 ft 7.6 ft
24.0 ft	6 fc	9.0 ft 9.1 ft

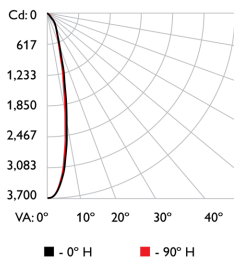
## Zonal Lumen

Zonal Lumen Summary		
ZONE	LUMENS	%FIXT
0- 30	612	90.9
0- 40	642	95.3
0- 60	668	99.2
0- 90	674	100.0
90-120	0	0.0
90-130	0	0.0
90-150	0	0.0
90-180	0	0.0
0-180	674	100.0

18.5 m (60.7 ft)  
1 fc maximum distance  
Vert. Spread: 21.3°  
Horiz. Spread: 21.5°

For lux multiply fc by 10.7

## Polar Candela Distribution



## Candela Table

	0.0	45.0	90.0	135.0	180.0
0	3689	3689	3689	3689	3689
5	3161	3185	3190	3183	3185
15	984	986	968	924	902
25	163	159	152	138	130
35	47	47	48	45	45
45	19	21	22	22	24
55	7	9	10	12	12
65	2	3	4	5	6
75	0	1	1	2	2
85	0	0	0	1	1
90	0	0	0	0	1

## Coefficients of Utilization – Zonal Cavity Method

RC	Effective Floor Cavity Reflectance: 20%												
	80		70		50		30		10				
RW	70	50	30	10	70	50	30	10	50	30	10	0	
0	1191	191	191	119	1161	161	161	116	1111	1111	1111	1081	106
1	1151	121	111	109	1121	101	091	107	1061	051	04	1031	021
2	1111	071	041	01	1091	051	031	01	1021	00	98	99	98
3	1071	02	99	96	1051	01	98	95	99	96	94	96	94
4	104	98	94	91	102	97	93	91	95	92	90	93	91
5	101	95	90	87	99	94	90	87	92	89	86	91	88
6	98	91	87	84	96	91	87	84	89	86	83	88	85
7	95	88	84	81	94	88	84	81	87	83	81	86	83
8	92	86	82	79	91	85	81	79	84	81	78	84	80
9	90	83	79	77	89	83	79	76	82	79	76	81	78
10	88	81	77	75	87	81	77	74	80	77	74	80	76

# Luminaire and Accessories

Use Item Number when ordering in North America

## Luminaire

	Item Number	Item 12NC
eW Burst Compact Powercore, 4000 K, White Housing, UL/cUL, Architectural Luminaire only. Values in this specification sheet represent both the luminaire and spread lens combined. Spread lens available below in Associated Part.	523-000059-19	910503701935

## Associated Part

23° Spread lens	120-000080-05	910503701416
-----------------	---------------	--------------

Trim Ring or Glare Shield required for mounting. Must be ordered separately.

## Accessories

Trim Ring, White	120-000103-15	910503701826
45° Glare Shield, White	120-000103-16	910503701827
Full Height Glare Shield, White	120-000103-17	910503701828
Honeycomb Louver, Black	120-000104-01	910503701419
DM-1000 0-10 V ELV Dimmer	109-000036-00	912400135916
Architectural Mounting Arm, Short, Gray	120-000206-00	912400136642
Architectural Mounting Arm, Medium, Gray	120-000206-01	912400136643
Architectural Mounting Arm, Long, Gray	120-000206-02	912400136644
Wiring Compartment, 4 in diameter, White, CE	106-000011-41	910503703276
Wiring Compartment, 4 in diameter, White, UL	106-000011-31	910503704148

