

eW Burst Compact Powercore

Date: _____
Type: _____
Firm Name: _____
Project: _____

**2700 K, 10° x 41° Spread Lens, Gray Housing,
UL/cUL/CE, Landscape**

Exterior compact architectural and landscape spotlight with single temperature white light

eW Burst Compact Powercore is a high-output, exterior LED spotlight designed for accent and site lighting. Architectural and landscape versions deliver high-quality white light in a warm 2700 K and a neutral 4000 K to support a range of uplighting, floodlighting, and decorative lighting applications.



- Integrates patented Powercore technology—Powercore rapidly, efficiently, and accurately controls power output to luminaires directly from line voltage, eliminating the need for an external power supply. Contractor-friendly installation dramatically simplifies installation and lowers total system cost.
- Support for a wide range of architectural and landscape applications—Architectural luminaires feature an integrated yoke with canopy base for mounting to standard US junction boxes or directly to a flat surface or substrate as local codes permit. Landscape luminaires feature a 1/2 in NPT threaded post for mounting to standard junction boxes and third-party mounting accessories such as stanchion mounts, posts, and stakes for use in softscape and hardscape applications.
- Exchangeable optics and accessories—Available 14°, 23°, 41°, and asymmetric 10° x 41° spread lenses project a soft-edge beam to support a wide range of lighting applications. Native 8° beam angle offers extended light projection. Available glare shields block spill light, while honeycomb louvers limit the spread of light for a more focused and intense beam.
- Versatile light positioning—Luminaires can tilt through a full 180°. Architectural luminaires can also rotate through a full 360° for precise aiming. Locking screws accept standard hex wrenches to secure luminaires firmly in position.
- Universal power input range—Accepts a universal power input range of 100 to 277 VAC, allowing the installation of multiple units in a continuous run.
- Outdoor rated—With a rugged, die-cast aluminium housing fully sealed for maximum luminaire life and IP66-rated for outdoor applications, eW Burst Compact Powercore is ideal for use in damp or wet locations.

For detailed product information, please refer to the Burst Product Guide at www.colorkinetics.com/global/products/essentialwhite/ewburstcompactpc/

Specifications

Due to continuous improvements and innovations, specifications may change without notice.

Output

Color Temperature *	2700 K
Beam Angle	10° x 41°
Lumens †	557
Efficacy (lm/W)	37.4
CRI	83

Electrical

Input Voltage	100 to 277 VAC, auto-ranging, 50/60 Hz
Power Consumption (Maximum at full output, steady state)	15 W

Power Factor	0.99 @ 120 VAC
Surge Limits ¶	1 kV maximum differential (L to N) 2 kV maximum common (L to Gnd or N to Gnd)

For additional Surge Protection Requirements for LED Lighting Systems, please refer to www.colorkinetics.com/KB/surge-protection.

Control

Dimmer ‡

Compatible with selected commercially available reverse-phase ELV-type dimmers

Lumen Maintenance

Threshold§	Ambient Temperature	Reported ¶¶	Calculated ¶¶
L ₇₀	25 °C	90,000	
	50 °C	50,000	
L ₅₀	25 °C	> 100,000	
	50 °C	90,000	

* Correlated color temperature (CCT) complies with ANSI C78.377-2008 for the chromaticity of solid state lighting products.

† Lumen output measurements comply with IES LM-79-08 testing procedures.

‡ Refer to www.colorkinetics.com/support/appnotes/ for more information.

§ L_{xx} = xx% lumen maintenance (when light output drops below xx% of initial output). All values are given at B10, or the median value where 90% of the LED population is better than the reported or calculated lumen maintenance measurement.

¶ Minimum surge limits per IEC 61547, tested in accordance with IEC 61000-4-5.

¶¶ Lumen maintenance figures are based on lifetime prediction graphs supplied by LED source manufacturers. Whenever possible, figures use measurements that comply with IES LM-80-08 testing procedures. In accordance with TM-21-11, Reported values represent the interpolated value based on six times the LM-80-08 total test duration (in hours). Calculated values represent time durations that exceed six times the total test duration.

Physical

Dimensions (Height x Width x Depth)	205 x 114 x 178 mm (8.06 x 4.5 x 7.0 in)
--	--

Weight	2 kg (4.4 lb)
--------	---------------

Housing Material	Die-cast aluminium, gray powder-coated finish
------------------	---

Lens	Tempered glass
------	----------------

Luminaire Connections	152 mm (6 in) flying leads
-----------------------	----------------------------

Temperature Ranges

-40 to 50 °C (-40 to 122 °F) Operating
-20 to 50 °C (-4 to 122 °F) Startup
-40 to 80 °C (-40 to 176 °F) Storage

Corrosion Resistance

Not suitable for salt spray or harsh chemical environments. Please refer to www.colorkinetics.com/KB/corrosion-resistance for more information.

Humidity	0 to 95%, non-condensing
----------	--------------------------

Thermal Protection enabled

For additional Thermal Protection information, please refer to <https://colorkinetics.helpdocs.io/article/sh301ducix>

Luminaire Run Lengths

To calculate luminaire run lengths and total power consumption for your specific installation, download the Configuration Calculator from www.colorkinetics.com/support/install_tool/

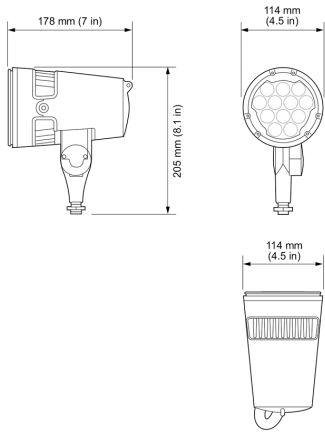
Certification and Safety

Approbation	UL/cUL, FCC Class A, CE, C-Tick, SAA
Environment	Dry/Damp/Wet Location, IP66

For additional Energy Efficiency Class Information, please refer to <https://colorkinetics.helpdocs.io/article/cvis2p8qq>.



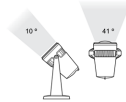
Dimensions



Photometrics 2700 K, 10° x 41° asymmetric spread lens

Photometric data is based on test results from an independent NIST traceable testing lab. IES data is available at www.colorkinetics.com/global/support/ies.

Beam Angle	10° x 41°
LED	2700 K
Lumens	557.0
Efficacy (lm/W)	37.4



Illuminance at Distance

	Center Beam fc	Beam Width
4.0 ft	256 fc	0.6 ft 2.7 ft
8.0 ft	64 fc	1.2 ft 5.4 ft
12.0 ft	28 fc	1.8 ft 8.1 ft
16.0 ft	16 fc	2.5 ft 10.7 ft
20.0 ft	10 fc	3.1 ft 13.4 ft
24.0 ft	7 fc	3.7 ft 16.1 ft

Zonal Lumen

Zonal Lumen Summary		
ZONE	LUMENS	%FIXT
0- 30	491	88.1
0- 40	527	94.7
0- 60	552	99.1
0- 90	557	100.0
90-180	0	0.0
0-180	557	100.0

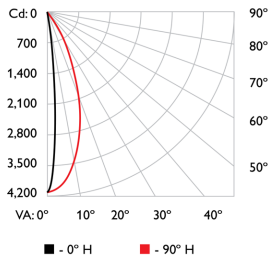
26.1 m (85.5 ft)
1 fc maximum distance
Vert. Spread: 8.8°
Horiz. Spread: 37.1°

For lux multiply fc by 10.7

Coefficients of Utilization – Zonal Cavity Method

RC	Effective Floor Cavity Reflectance: 20%														
	80			70			50			30					
RW	70	50	30	10	70	50	30	10	50	30	10	50	30	10	
0	1191	191	119	119	1161	161	161	116	1111	1111	1111	1061	061	106	102
1	1151	121	110	109	1121	101	108	107	106	105	104	103	102	101	99
2	110	107	103	101	108	105	102	100	102	99	97	99	97	95	96
3	107	102	98	95	105	100	97	94	98	95	92	95	93	91	93
4	103	97	93	90	101	96	92	89	94	91	88	92	89	87	90
5	100	93	89	86	98	92	88	85	91	87	84	89	86	84	88
6	96	90	85	82	95	89	85	82	88	84	81	86	83	81	85
7	93	87	82	79	92	86	82	79	85	81	78	84	80	78	83
8	91	84	79	76	90	83	79	76	82	79	76	81	78	76	81
9	88	81	77	74	87	81	77	74	80	76	74	79	76	73	78
10	86	79	75	72	85	78	74	72	78	74	71	77	74	71	76

Polar Candela Distribution



Candela Table					
	0.0	45.0	90.0	135.0	180.0
0	4096	4096	4096	4096	4096
5	1618	2352	3964	2484	1693
15	96	171	2701	186	100
25	48	67	1026	66	48
35	22	33	237	35	21
45	9	16	54	18	13
55	3	7	19	10	6
65	1	2	7	5	3
75	0	1	1	2	2
85	0	0	0	0	1
90	0	0	0	0	0

Luminaire and Accessories

Use Item Number when ordering in North America

Luminaire	Item Number	Item 12NC
eW Burst Compact Powercore, 2700 K, Gray Housing, UL/cUL/CE, Landscape Luminaire only. Values in this specification sheet represent both the luminaire and spread lens combined. Spread lens available below in Associated Part.	523-000059-00	910503701661
Associated Part		
10° x 41° Spread lens	120-000080-07	910503701418
Trim Ring or Glare Shield required for mounting. Must be ordered separately.		
Accessories		
Trim Ring, Gray	120-000103-03	910503701420
45° Glare Shield, Gray	120-000103-04	910503701421
Full Height Glare Shield, Gray	120-000103-05	910503701422
Honeycomb Louver, Black	120-000104-01	910503701419
DM-1000 0-10 V ELV Dimmer	109-000036-00	912400135916
Wiring Compartment, 4 in diameter, Gray, CE (cover not included)	106-000011-42	910503703277
Wiring Compartment, 4 in diameter, Gray, UL (cover not included)	106-000011-32	910503704149
Architectural Mounting Arm, Short, Gray	120-000206-00	912400136642
Architectural Mounting Arm, Medium, Gray	120-000206-01	912400136643
Architectural Mounting Arm, Long, Gray	120-000206-02	912400136644

