

# eW Burst Compact Powercore

Date: \_\_\_\_\_

Type: \_\_\_\_\_

Firm Name: \_\_\_\_\_

Project: \_\_\_\_\_

**4000 K, 10° x 41° Spread Lens, White Housing,  
UL/cUL/CE, Landscape**

## Exterior compact architectural and landscape spotlight with single temperature white light

eW Burst Compact Powercore is a high-output, exterior LED spotlight designed for accent and site lighting. Architectural and landscape versions deliver high-quality white light in a warm 2700 K and a neutral 4000 K to support a range of uplighting, floodlighting, and decorative lighting applications.



- Integrates patented Powercore technology—Powercore rapidly, efficiently, and accurately controls power output to luminaires directly from line voltage, eliminating the need for an external power supply. Contractor-friendly installation dramatically simplifies installation and lowers total system cost.
- Support for a wide range of architectural and landscape applications—Architectural luminaires feature an integrated yoke with canopy base for mounting to standard US junction boxes or directly to a flat surface or substrate as local codes permit. Landscape luminaires feature a 1/2 in NPT threaded post for mounting to standard junction boxes and third-party mounting accessories such as stanchion mounts, posts, and stakes for use in softscape and hardscape applications.
- Exchangeable optics and accessories—Available 14°, 23°, 41°, and asymmetric 10° x 41° spread lenses project a soft-edge beam to support a wide range of lighting applications. Native 8° beam angle offers extended light projection. Available glare shields block spill light, while honeycomb louvers limit the spread of light for a more focused and intense beam.
- Versatile light positioning—Luminaires can tilt through a full 180°. Architectural luminaires can also rotate through a full 360° for precise aiming. Locking screws accept standard hex wrenches to secure luminaires firmly in position.
- Universal power input range—Accepts a universal power input range of 100 to 277 VAC, allowing the installation of multiple units in a continuous run.
- Outdoor rated—With a rugged, die-cast aluminium housing fully sealed for maximum luminaire life and IP66-rated for outdoor applications, eW Burst Compact Powercore is ideal for use in damp or wet locations.

For detailed product information, please refer to the Burst Product Guide at [www.colorkinetics.com/global/products/essentialwhite/ewburstcompactpc/](http://www.colorkinetics.com/global/products/essentialwhite/ewburstcompactpc/)

# Specifications

Due to continuous improvements and innovations, specifications may change without notice.

## Output

Color Temperature *	4000 K
Beam Angle	10° x 41°
Lumens †	695
Efficacy (lm/W)	46.3
CRI	81

## Electrical

Input Voltage	100 to 277 VAC, auto-ranging, 50/60 Hz
Power Consumption (Maximum at full output, steady state)	15 W
Power Factor	0.99 @ 120 VAC
Surge Limits ¶	1 kV maximum differential (L to N) 2 kV maximum common (L to Gnd or N to Gnd)

For additional Surge Protection Requirements for LED Lighting Systems, please refer to [www.colorkinetics.com/KB/surge-protection](http://www.colorkinetics.com/KB/surge-protection).

## Control

### Dimmer ‡

Compatible with selected commercially available reverse-phase ELV-type dimmers

## Lumen Maintenance

Threshold§	Ambient Temperature	Reported ¶¶	Calculated ¶¶
L <sub>70</sub>	25 °C	90,000	
	50 °C	50,000	
L <sub>50</sub>	25 °C	> 100,000	
	50 °C	90,000	

\* Correlated color temperature (CCT) complies with ANSI C78.377-2008 for the chromaticity of solid state lighting products.

† Lumen output measurements comply with IES LM-79-08 testing procedures.

‡ Refer to [www.colorkinetics.com/support/appnotes/](http://www.colorkinetics.com/support/appnotes/) for more information.

§ L<sub>xx</sub> = xx% lumen maintenance (when light output drops below xx% of initial output). All values are given at B10, or the median value where 90% of the LED population is better than the reported or calculated lumen maintenance measurement.

¶ Minimum surge limits per IEC 61547, tested in accordance with IEC 61000-4-5.

¶¶ Lumen maintenance figures are based on lifetime prediction graphs supplied by LED source manufacturers. Whenever possible, figures use measurements that comply with IES LM-80-08 testing procedures. In accordance with TM-21-11, Reported values represent the interpolated value based on six times the LM-80-08 total test duration (in hours). Calculated values represent time durations that exceed six times the total test duration.

## Physical

Dimensions (Height x Width x Depth)	205 x 114 x 178 mm (8.06 x 4.5 x 7.0 in)
Weight	2 kg (4.4 lb)
Housing Material	Die-cast aluminium, white powder-coated finish
Lens	Tempered glass
Luminaire Connections	152 mm (6 in) flying leads

## Temperature Ranges

-40 to 50 °C (-40 to 122 °F) Operating
-20 to 50 °C (-4 to 122 °F) Startup
-40 to 80 °C (-40 to 176 °F) Storage

## Corrosion Resistance

Not suitable for salt spray or harsh chemical environments. Please refer to [www.colorkinetics.com/KB/corrosion-resistance](http://www.colorkinetics.com/KB/corrosion-resistance) for more information.

Humidity 0 to 95%, non-condensing

## Thermal Protection enabled

For additional Thermal Protection information, please refer to <https://colorkinetics.helpdocs.io/article/sh301ducix>

## Luminaire Run Lengths

To calculate luminaire run lengths and total power consumption for your specific installation, download the Configuration Calculator from [www.colorkinetics.com/support/install\\_tool/](http://www.colorkinetics.com/support/install_tool/)

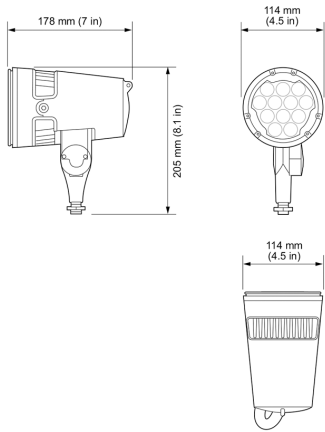
## Certification and Safety

Approbation	UL/cUL, FCC Class A, CE, C-Tick, SAA
Environment	Dry/Damp/Wet Location, IP66

For additional Energy Efficiency Class Information, please refer to <https://colorkinetics.helpdocs.io/article/cvis2p8qq>.



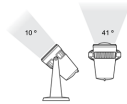
# Dimensions



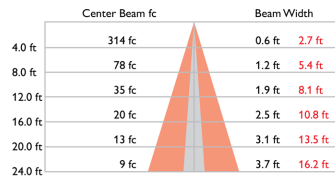
# Photometrics 4000 K, 10° x 41° asymmetric spread lens

Photometric data is based on test results from an independent NIST traceable testing lab. IES data is available at [www.colorkinetics.com/global/support/ies](http://www.colorkinetics.com/global/support/ies).

Beam Angle	10° x 41°
LED	4000 K
Lumens	695.0
Efficacy (lm/W)	46.3



## Illuminance at Distance



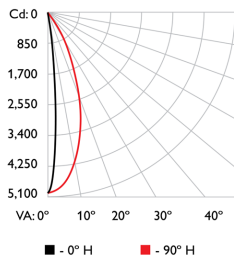
## Zonal Lumen

Zonal Lumen Summary		
ZONE	LUMENS	%FIXT
0- 30	613	88.2
0- 40	659	94.8
0- 60	689	99.2
0- 90	695	100.0
90-180	0	0.0
0-180	695	100.0

21.6 m (71 ft)  
1 fc maximum distance  
Vert. Spread: 8.9°  
Horiz. Spread: 37.4°

For lux multiply fc by 10.7

## Polar Candela Distribution



## Candela Table

	0.0	45.0	90.0	135.0	180.0
0	5018	5018	5018	5018	5018
5	2053	2940	4826	3058	2141
15	123	209	3313	228	128
25	62	83	1279	82	58
35	28	43	300	41	29
45	12	21	67	23	18
55	3	9	25	13	6
65	1	3	10	5	3
75	0	0	2	2	1
85	0	0	0	0	0
90	0	0	0	0	0

## Coefficients of Utilization – Zonal Cavity Method

RC	Effective Floor Cavity Reflectance: 20%																	
	80		70		50		30		10		0							
RW	70	50	30	10	70	50	30	10	50	30	10	0						
0	1191	191	191	191	1181	181	181	181	1111	1111	1111	1081	1061	106	102	102	102	100
1	1151	131	131	131	1121	101	101	101	1061	1051	104	1031	102	101	99	99	98	96
2	1111	107	104	101	1091	105	102	101	102	100	98	99	97	96	96	95	94	92
3	1071	102	98	95	105	100	97	94	98	95	93	96	93	91	93	91	90	88
4	103	97	93	90	101	96	92	89	94	91	88	92	90	87	91	88	86	85
5	100	93	89	86	98	92	88	85	91	87	85	89	86	84	88	85	83	82
6	97	90	85	82	95	89	85	82	88	84	81	87	83	81	85	83	80	79
7	94	87	82	79	92	86	82	79	85	81	79	84	81	78	83	80	78	77
8	91	84	79	76	90	83	79	76	82	79	76	82	78	76	81	78	75	74
9	88	81	77	74	87	81	77	74	80	76	74	79	76	73	79	75	73	72
10	86	79	75	72	85	78	74	72	78	74	72	77	74	71	77	73	71	70

# Luminaire and Accessories

Use Item Number when ordering in North America

<b>Luminaire</b>	<b>Item Number</b>	<b>Item 12NC</b>
eW Burst Compact Powercore, 4000 K, White Housing, UL/cUL/CE, Landscape Luminaire only. Values in this specification sheet represent both the luminaire and spread lens combined. Spread lens available below in Associated Part.	523-000059-17	910503701933
<b>Associated Part</b>		
10° x 41° Spread lens	120-000080-07	910503701418
Trim Ring or Glare Shield required for mounting. Must be ordered separately.		
<b>Accessories</b>		
Trim Ring, White	120-000103-15	910503701826
45° Glare Shield, White	120-000103-16	910503701827
Full Height Glare Shield, White	120-000103-17	910503701828
Honeycomb Louver, Black	120-000104-01	910503701419
DM-1000 0-10 V ELV Dimmer	109-000036-00	912400135916
Wiring Compartment, 4 in diameter, White, CE (cover not included)	106-000011-41	910503703276
Wiring Compartment, 4 in diameter, White, UL (cover not included)	106-000011-31	910503704148
Architectural Mounting Arm, Short, Gray	120-000206-00	912400136642
Architectural Mounting Arm, Medium, Gray	120-000206-01	912400136643
Architectural Mounting Arm, Long, Gray	120-000206-02	912400136644

