

eW Burst Compact Powercore

Date: _____

Type: _____

Firm Name: _____

Project: _____

2700 K, 14° Spread Lens, Black Housing, UL/cUL/CE, Landscape

Exterior compact architectural and landscape spotlight with single temperature white light

eW Burst Compact Powercore is a high-output, exterior LED spotlight designed for accent and site lighting. Architectural and landscape versions deliver high-quality white light in a warm 2700 K and a neutral 4000 K to support a range of uplighting, floodlighting, and decorative lighting applications.



- Integrates patented Powercore technology—Powercore rapidly, efficiently, and accurately controls power output to luminaires directly from line voltage, eliminating the need for an external power supply. Contractor-friendly installation dramatically simplifies installation and lowers total system cost.
- Support for a wide range of architectural and landscape applications—Architectural luminaires feature an integrated yoke with canopy base for mounting to standard US junction boxes or directly to a flat surface or substrate as local codes permit. Landscape luminaires feature a 1/2 in NPT threaded post for mounting to standard junction boxes and third-party mounting accessories such as stanchion mounts, posts, and stakes for use in softscape and hardscape applications.
- Exchangeable optics and accessories—Available 14°, 23°, 41°, and asymmetric 10° x 41° spread lenses project a soft-edge beam to support a wide range of lighting applications. Native 8° beam angle offers extended light projection. Available glare shields block spill light, while honeycomb louvers limit the spread of light for a more focused and intense beam.
- Versatile light positioning—Luminaires can tilt through a full 180°. Architectural luminaires can also rotate through a full 360° for precise aiming. Locking screws accept standard hex wrenches to secure luminaires firmly in position.
- Universal power input range—Accepts a universal power input range of 100 to 277 VAC, allowing the installation of multiple units in a continuous run.
- Outdoor rated—With a rugged, die-cast aluminium housing fully sealed for maximum luminaire life and IP66-rated for outdoor applications, eW Burst Compact Powercore is ideal for use in damp or wet locations.

For detailed product information, please refer to the Burst Product Guide at www.colorkinetics.com/global/products/essentialwhite/ewburstcompactpc/

Specifications

Due to continuous improvements and innovations, specifications may change without notice.

Output

Color Temperature *	2700 K
Beam Angle	14°
Lumens †	543
Efficacy (lm/W)	36.4
CRI	83

Electrical

Input Voltage	100 to 277 VAC, auto-ranging, 50/60 Hz
Power Consumption	15 W

(Maximum at full output, steady state)

Power Factor	0.99 @ 120 VAC
Surge Limits ¶	1 kV maximum differential (L to N) 2 kV maximum common (L to Gnd or N to Gnd)

For additional Surge Protection Requirements for LED Lighting Systems, please refer to www.colorkinetics.com/KB/surge-protection.

Control

Dimmer ‡

Compatible with selected commercially available reverse-phase ELV-type dimmers

Lumen Maintenance

Threshold§	Ambient Temperature	Reported ¶¶	Calculated ¶¶
L ₇₀	25 °C	90,000	
	50 °C	50,000	
L ₅₀	25 °C	> 100,000	
	50 °C	90,000	

* Correlated color temperature (CCT) complies with ANSI C78.377-2008 for the chromaticity of solid state lighting products.

† Lumen output measurements comply with IES LM-79-08 testing procedures.

‡ Refer to www.colorkinetics.com/support/appnotes/ for more information.

§ L_{xx} = xx% lumen maintenance (when light output drops below xx% of initial output). All values are given at B10, or the median value where 90% of the LED population is better than the reported or calculated lumen maintenance measurement.

¶ Minimum surge limits per IEC 61547, tested in accordance with IEC 61000-4-5.

¶¶ Lumen maintenance figures are based on lifetime prediction graphs supplied by LED source manufacturers. Whenever possible, figures use measurements that comply with IES LM-80-08 testing procedures. In accordance with TM-21-11, Reported values represent the interpolated value based on six times the LM-80-08 total test duration (in hours). Calculated values represent time durations that exceed six times the total test duration.

Physical

Dimensions (Height x Width x Depth)	205 x 114 x 178 mm (8.06 x 4.5 x 7.0 in)
Weight	2 kg (4.4 lb)
Housing Material	Die-cast aluminium, black powder-coated finish
Lens	Tempered glass
Luminaire Connections	152 mm (6 in) flying leads

Temperature Ranges

-40 to 50 °C (-40 to 122 °F) Operating
-20 to 50 °C (-4 to 122 °F) Startup
-40 to 80 °C (-40 to 176 °F) Storage

Corrosion Resistance

Not suitable for salt spray or harsh chemical environments. Please refer to www.colorkinetics.com/KB/corrosion-resistance for more information.

Humidity	0 to 95%, non-condensing
----------	--------------------------

Thermal Protection enabled

For additional Thermal Protection information, please refer to <https://colorkinetics.helpdocs.io/article/sh301ducix>

Luminaire Run Lengths

To calculate luminaire run lengths and total power consumption for your specific installation, download the Configuration Calculator from www.colorkinetics.com/support/install_tool/

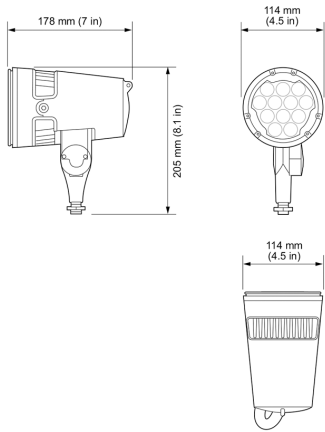
Certification and Safety

Approbation	UL/cUL, FCC Class A, CE, C-Tick, SAA
Environment	Dry/Damp/Wet Location, IP66

For additional Energy Efficiency Class Information, please refer to <https://colorkinetics.helpdocs.io/article/cviiis2p8qq>.



Dimensions



Photometrics 2700 K, 14° spread lens

Photometric data is based on test results from an independent NIST traceable testing lab. IES data is available at www.colorkinetics.com/global/support/ies.

Beam Angle	14°
LED	2700 K
Lumens	543.0
Efficacy (lm/W)	36.4



Illuminance at Distance

	Center Beam fc	Beam Width
4.0 ft	363 fc	1.1 ft 1.0 ft
8.0 ft	91 fc	2.1 ft 2.1 ft
12.0 ft	40 fc	3.2 ft 3.1 ft
16.0 ft	23 fc	4.3 ft 4.2 ft
20.0 ft	15 fc	5.3 ft 5.2 ft
24.0 ft	10 fc	6.4 ft 6.3 ft

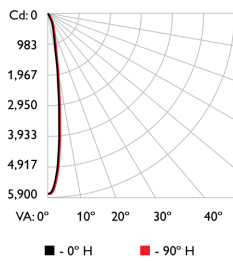
Zonal Lumen

Zonal Lumen Summary		
ZONE	LUMENS	%FIXT
0 - 30	506	93.2
0 - 40	526	96.9
0 - 60	542	99.8
0 - 90	543	100.0
90-180	0	0.0
0-180	543	100.0

36.4 m (76.3 ft)
1 fc maximum distance
Vert. Spread: 15.1°
Horiz. Spread: 14.9°

For lux multiply fc by 10.7

Polar Candela Distribution



Candela Table

	0.0	45.0	90.0	135.0	180.0
0	5815	5815	5815	5815	5815
5	4287	4280	4282	4328	4345
15	440	436	424	456	477
25	72	73	71	71	71
35	34	31	33	32	30
45	12	13	14	16	13
55	3	3	5	6	7
65	0	0	0	0	1
75	0	0	0	0	0
85	0	0	0	0	0
90	0	0	0	0	0

Coefficients of Utilization - Zonal Cavity Method

RC	Effective Floor Cavity Reflectance: 20%															
	80		70		50		30		10							
RW	70	50	30	10	70	50	30	10	50	30	10	0				
0	1191	191	191	119	1161	161	161	116	1111	1111	1111	1061	1061	1021	1021	100
1	1151	131	121	110	1131	111	101	108	107	1061	105	1041	1031	102	100	99
2	1121	091	061	04	1101	071	051	03	1041	021	01	1011	00	99	98	97
3	1091	051	02	99	1071	041	01	99	101	99	97	99	97	96	94	93
4	1061	02	98	96	1051	01	98	95	99	96	94	97	95	93	95	94
5	104	99	95	93	103	98	95	92	97	94	92	95	93	91	94	92
6	102	96	93	90	101	96	92	90	95	92	89	93	91	89	92	90
7	100	94	91	88	99	94	90	88	93	90	88	92	89	87	91	89
8	98	92	89	86	97	92	89	86	91	88	86	90	88	86	89	87
9	96	90	87	85	95	90	87	85	89	86	84	89	86	84	88	86
10	94	89	86	83	94	88	85	83	88	85	83	87	85	83	87	84

Luminaire and Accessories

Use Item Number when ordering in North America

Luminaire

eW Burst Compact Powercore, 2700 K, Black Housing, UL/cUL/CE, Landscape Luminaire only. Values in this specification sheet represent both the luminaire and spread lens combined. Spread lens available below in Associated Part.

Item Number

523-000059-08

Item 12NC

910503701924

Associated Part

14° Spread lens

120-000080-04

910503701415

Trim Ring or Glare Shield required for mounting. Must be ordered separately.

Accessories

Trim Ring, Black

120-000103-09

910503701823

45° Glare Shield, Black

120-000103-10

910503701824

Full Height Glare Shield, Black

120-000103-11

910503701825

Honeycomb Louver, Black

120-000104-01

910503701419

DM-1000 0-10 V ELV Dimmer

109-000036-00

912400135916

Wiring Compartment, 4 in diameter, Black, CE (cover not included)

106-000011-40

910503703275

Wiring Compartment, 4 in diameter, Black, UL (cover not included)

106-000011-30

910503704147

Architectural Mounting Arm, Short, Gray

120-000206-00

912400136642

Architectural Mounting Arm, Medium, Gray

120-000206-01

912400136643

Architectural Mounting Arm, Long, Gray

120-000206-02

912400136644



© 2023 Signify Holding. All rights reserved. Specifications are subject to change without notice. No representation or warranty as to the accuracy or completeness of the information included herein is given and any liability for any action in reliance thereon is disclaimed.

03/27/2023

Color Kinetics
www.colorkinetics.com/global/products/essentialwhite/ewburstcompactpc/